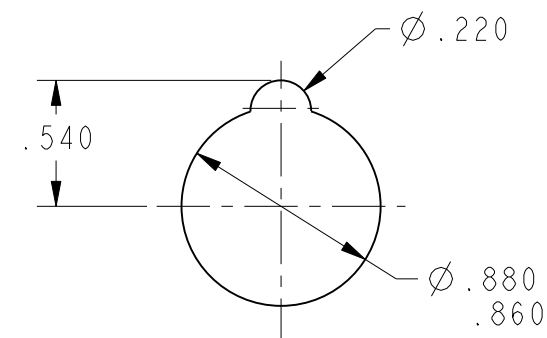


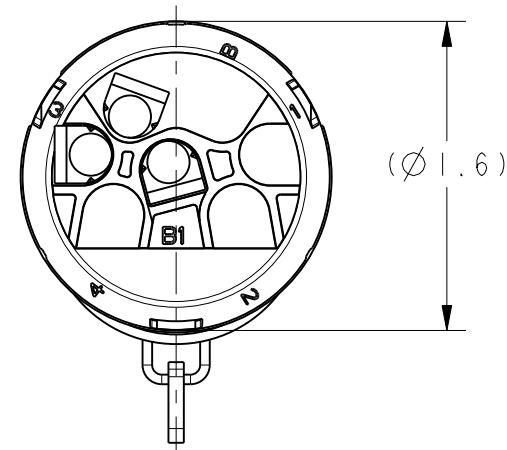
HONEYWELL PART NUMBER
84829

REV	CHANGE DOCUMENT	CHANGED BY	CHECK
D	0025321	BNA 09OCT06	DVM



**PROPOSED MOUNTING HOLE**

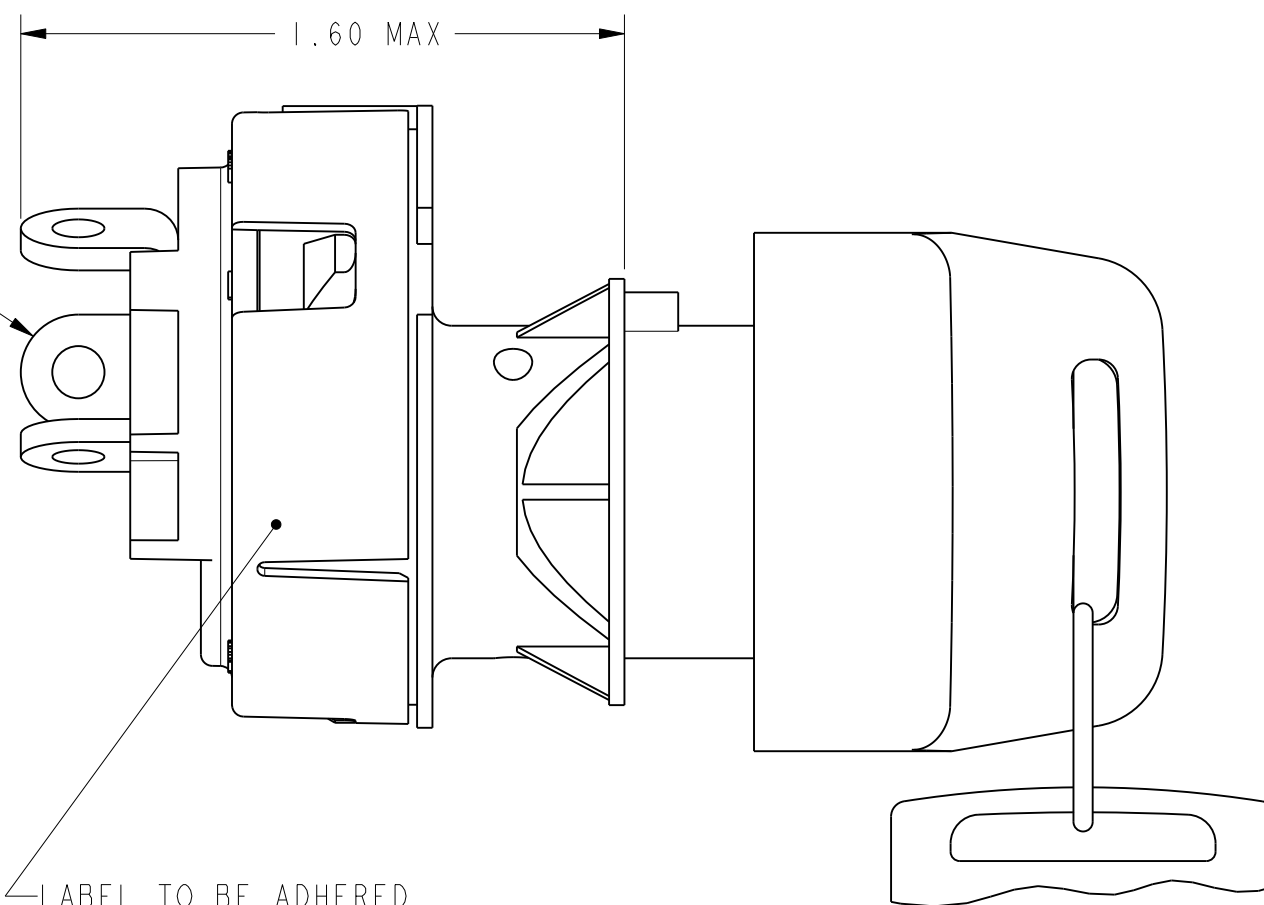
RECOMENDED MOUNTING  
PANEL THICKNESS  
MIN: .150  
MAX: .250



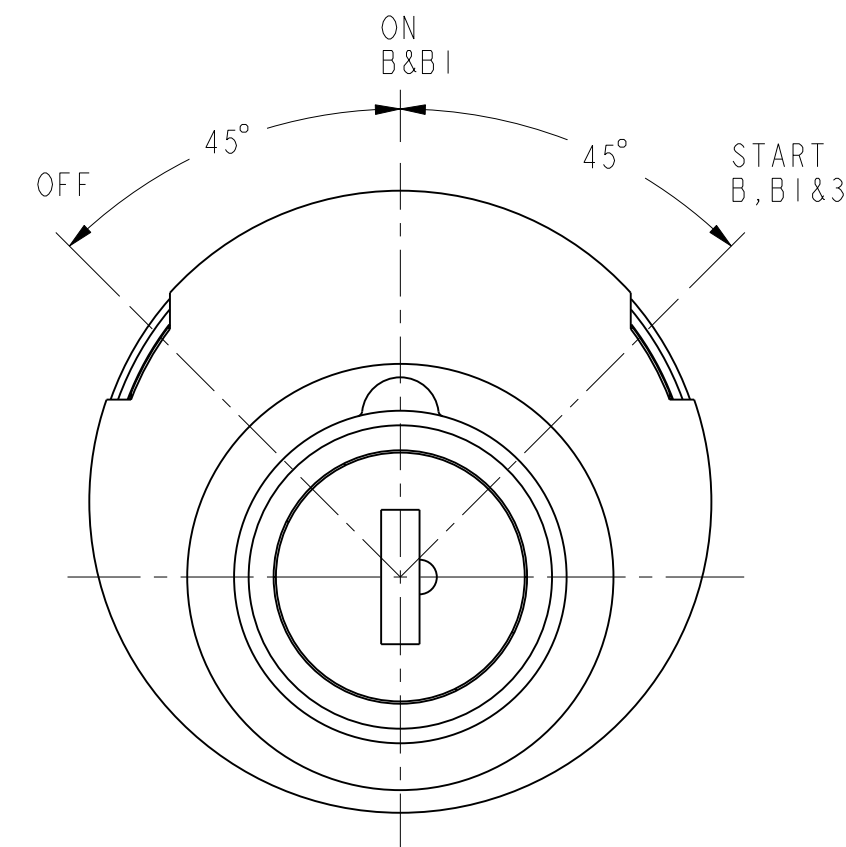
**VIEW OF TERMINALS**

SCALE 1:1

SEE NOTE 3



LABEL TO BE ADHERED  
AROUND SWITCH BODY.  
TO INCLUDE: DATE CODE, HONEYWELL PN,  
AND ELECTRICAL RATINGS.



**FRONT VIEW**

CUSTOMER PRINT

- NOTES:
- 1 - OFF/ON/START (RECOIL)  
KEY REMOVABLE IN OFF POSITION.
  - 2 - PACKAGE PER PACK OP P/N 994400.
  - 3 - TERMINALS TO ACCEPT #8-32X.25 SCREWS;  
TORQUE TO 10±1 IN.LBS.

DESIGN UNITS: INCH	DRAWN	VK	30MAR04	<b>Honeywell</b>			
TOLERANCES UNLESS NOTED:	CHECK	-	-				
NO PLACE X ± 0.040	THIS DRAWING COVERS A PROPRIETARY ITEM AND IS THE PROPERTY OF HONEYWELL. THIS DRAWING IS NOT TO BE COPIED OR USED WITHOUT THE PERMISSION OF HONEYWELL.			TITLE			
ONE PLACE .X ± 0.020				KEY SWITCH ASSEMBLY			
TWO PLACE .XX ± 0.010				(3-TERMINAL) (RECOIL START)			
THREE PLACE .XXX ± 0.005				SIZE	TYPE	DRAWING NAME	REV
FOUR PLACE .XXXX ± 0.0005				C	I	84829	D
ANGLES X ± 2				SCALE	2:1	SHEET	2 OF 2
THIRD ANGLE PROJECTION	Pro/ENGINEER	3D					