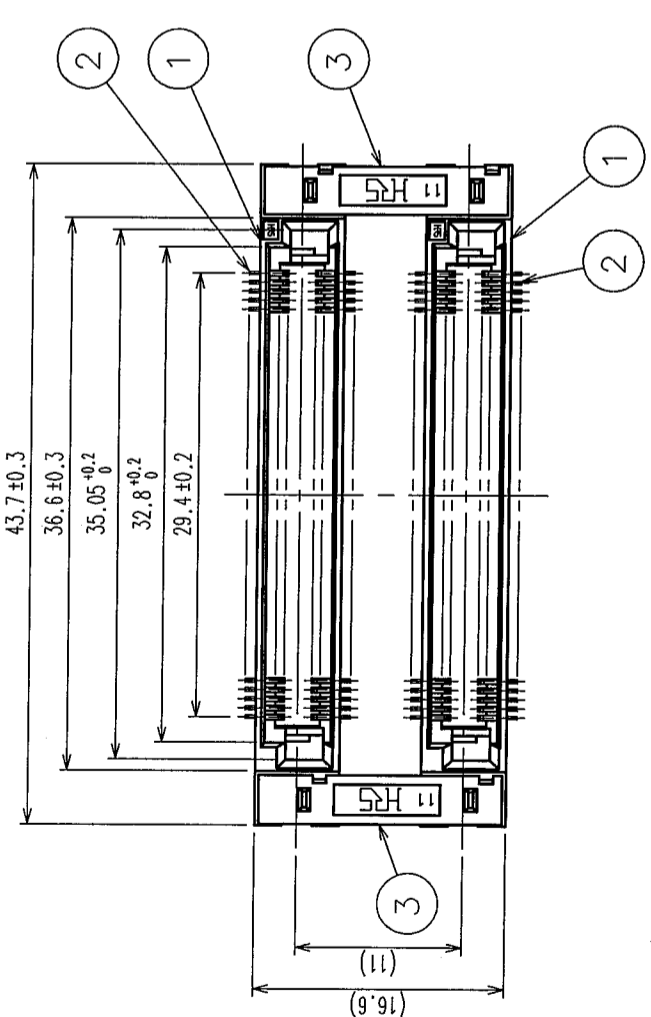
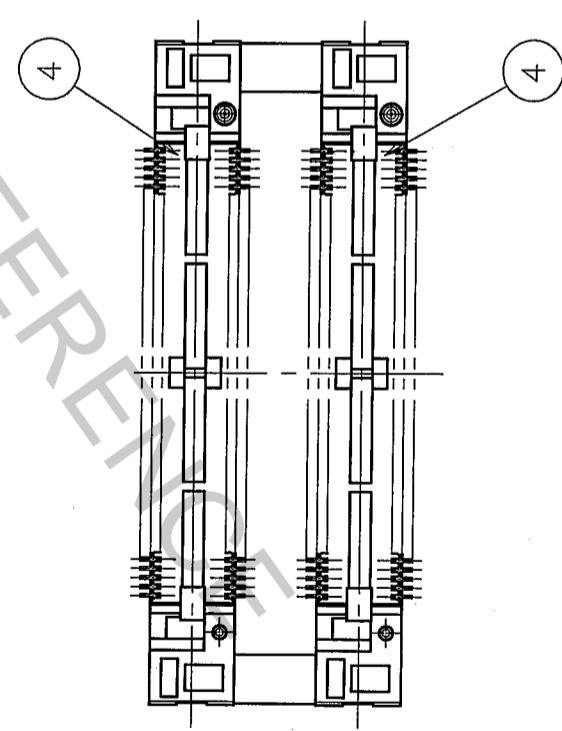
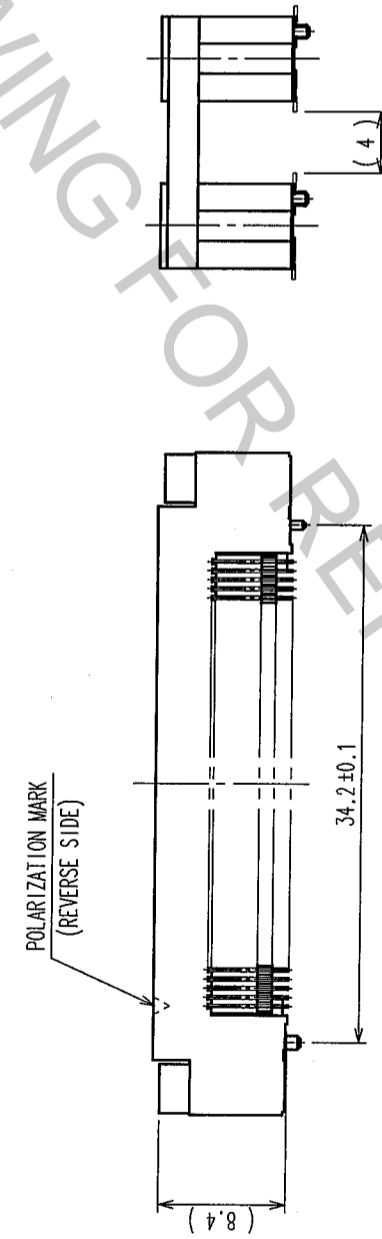
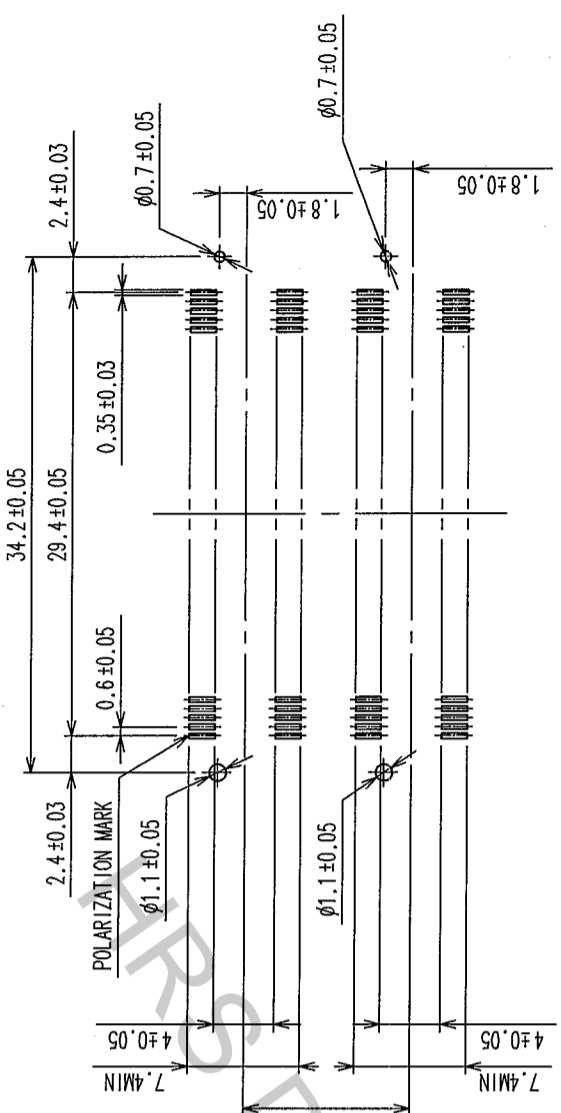


COUNT	DESCRIPTION OF REVISIONS	BY	CHKD	DATE	COUNT	DESCRIPTION OF REVISIONS	BY	CHKD	DATE
△					△				
△					△				
△					△				



RECOMMENDED LAND PATTERN DIMENSION  
OF PCB (MOUNTING SIDE)

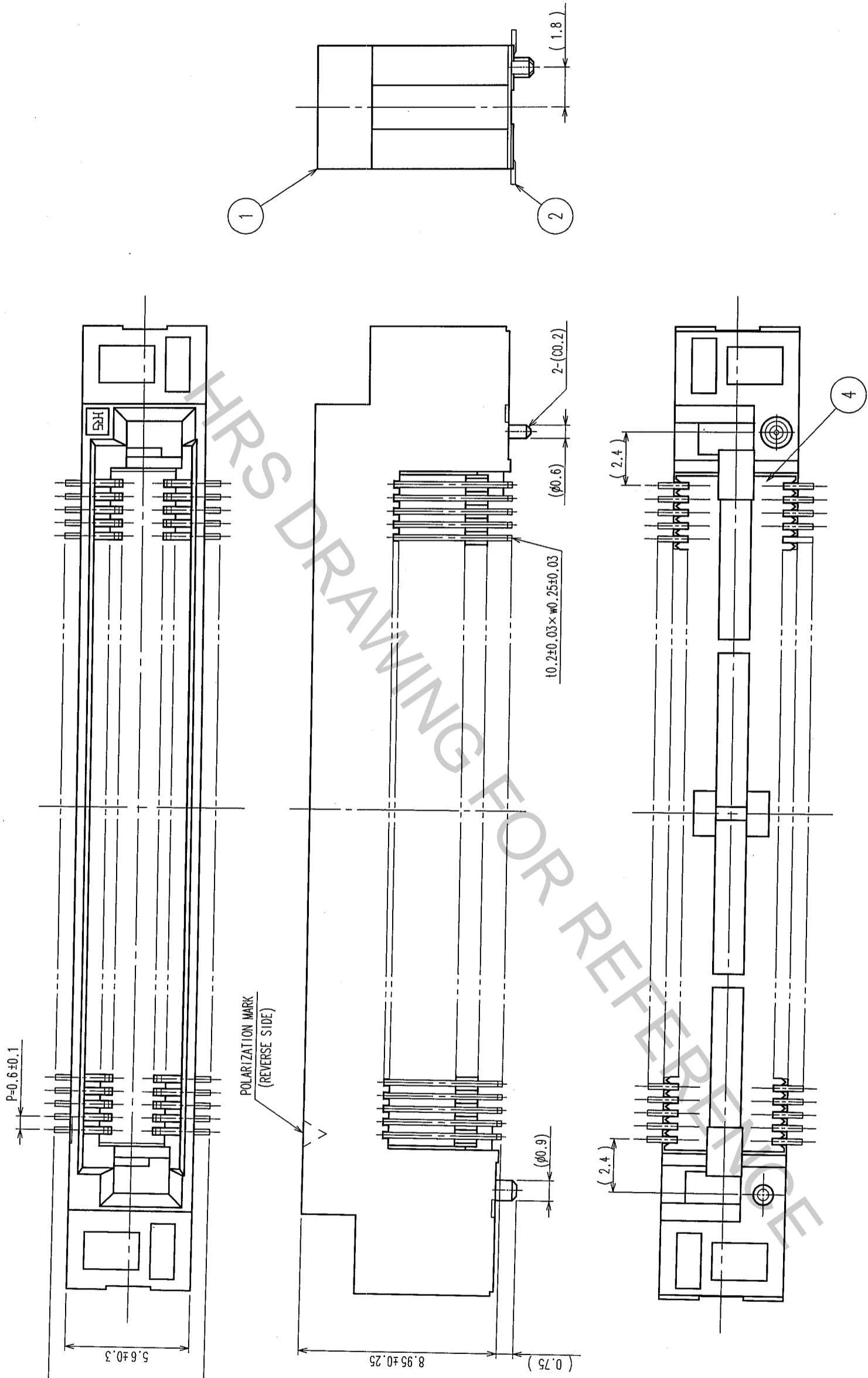


- NOTES
- 1 LEAD CO-PLANARITY SHALL BE 0.1mm MAX.
  - 2 AFTER MOUNTING BOARD, REF. NO.3 SHALL BE REMOVED.
  - 3 FOR MODIFICATION, ETC., PREVENTIVE HOLE FOR SINK MARK MAY BE ADDED DEPENDS ON CIRCUMSTANCES.
  - 4 THE DIMENSIONS IN PARENTHESES ARE FOR REFERENCE.

1,3,4	POLYPHENYLENE SULFIDE	LIGHT BROWN (UL94V-0)	2	PHOSPHOR BRONZE	CONTACT AREA: GOLD 0.1μm min LEAD AREA: TIN-PLATING 1μm min UNDER PLATING: NICKEL 1μm min
NO.	MATERIAL	FINISH, REMARKS	NO.	MATERIAL	FINISH, REMARKS
CODE NO. (OLD)	CL				
DRAWING NO.		EDC3-150973-25	PART NO.		
SCALE		2 : 1	FX8C-100/100S11-SV5J (71)		
UNITS		mm	CODE NO.		
			CL578-0925-5-71		

TO	
PCK	

DETAIL AFTER REMOVING JOINT



COUNT		DESCRIPTION OF REVISIONS		BY	CHKD	DATE	COUNT	DESCRIPTION OF REVISIONS		BY	CHKD	DATE
△	△						△					
△	△						△					
△	△						△					

TO	
PCK	

NOTE THE DIMENSIONS IN PARENTHESES ARE FOR REFERENCE.

NO.		MATERIAL		FINISH, REMARKS		NO.		MATERIAL		FINISH, REMARKS	
CODE NO. (OLD)		CL									
DRAWING NO.		EDC3-150973-25		DRAWN		H. Doi		DESIGNED		H. Doi	
SCALE		5 : 1		DATE		'04.12.28		CHECKED		H. Okawa	
UNITS		mm		PART NO.		FX8C-100/100S11-SV5J(71)		APPROVED		H. Okawa	
				CODE NO.		CL578-0925-5-71		RELEASED			
				HRS		HIROSE ELECTRIC CO., LTD					