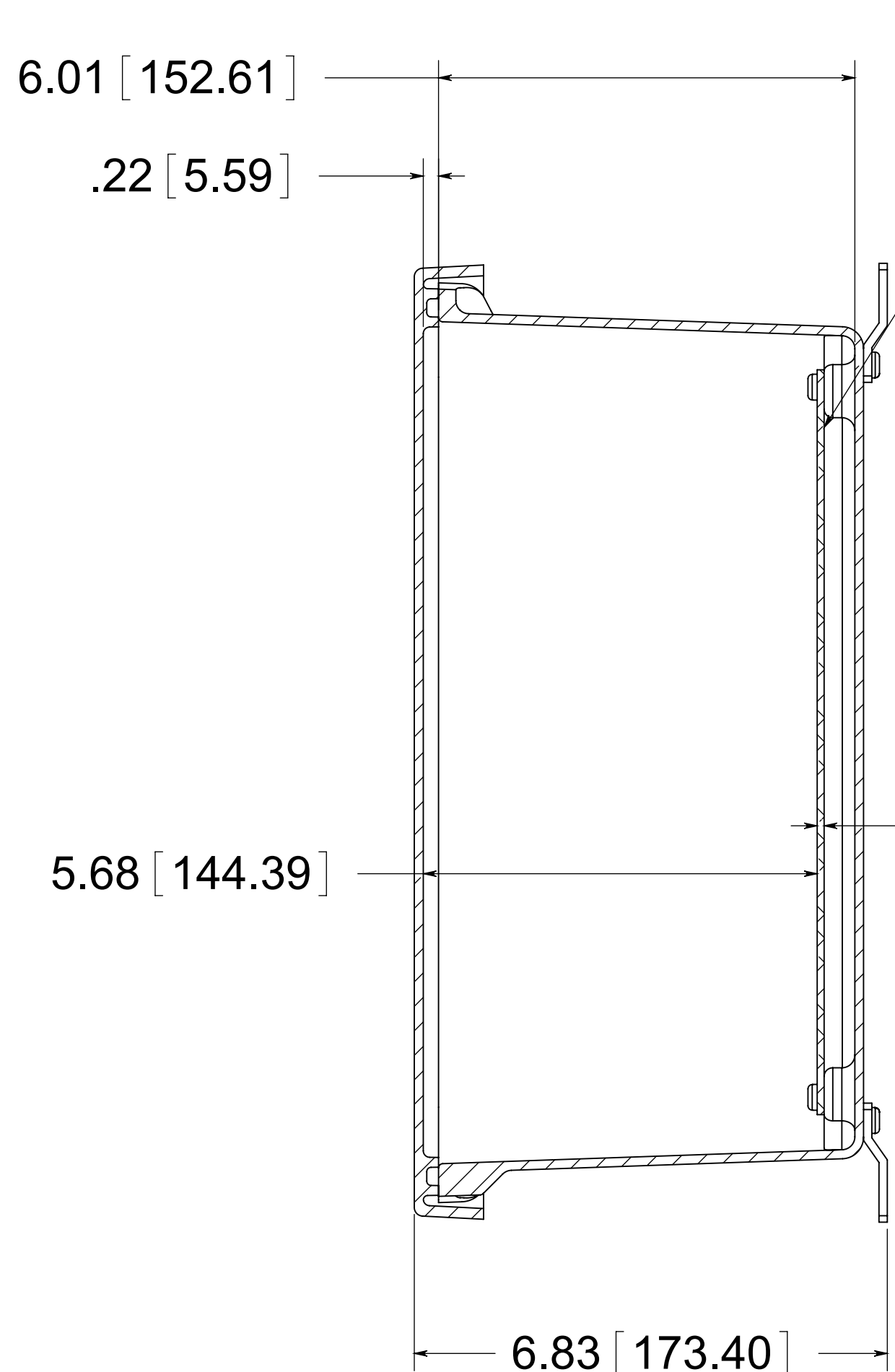


(2) EACH #10-32 BRASS INSERTS AND STAINLESS STEEL CAPTIVE COVER SCREWS WITH RETAINING O-RING

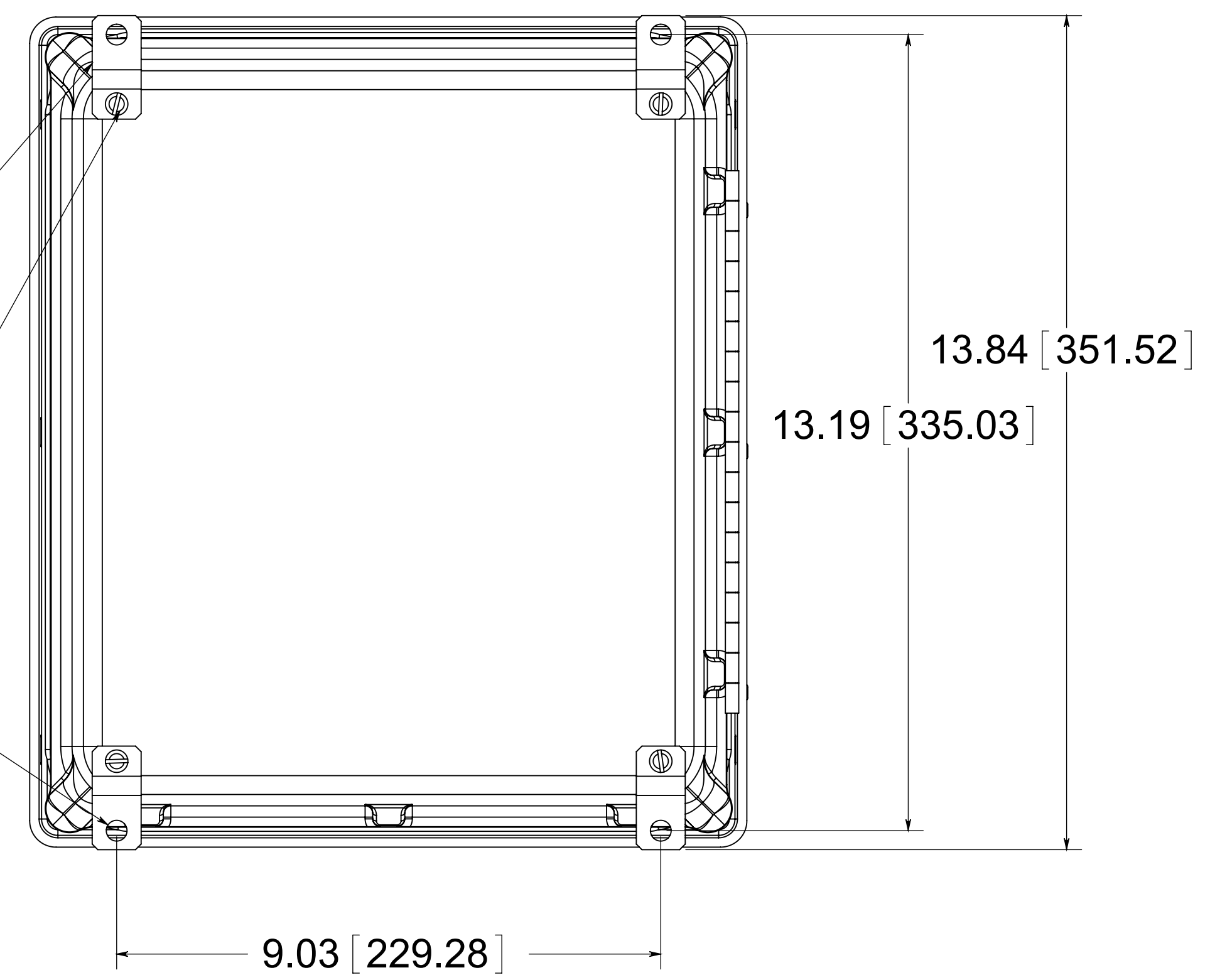


OPTIONAL BACK PANEL
 0.100 [2.54] TH'K- ALUMINUM
 0.075 [1.91] TH'K- WHITE STEEL-GALVANNEALED
 0.125 [3.18] TH'K- FIBERGLASS

(4) STAINLESS STEEL MOUNTING FEET

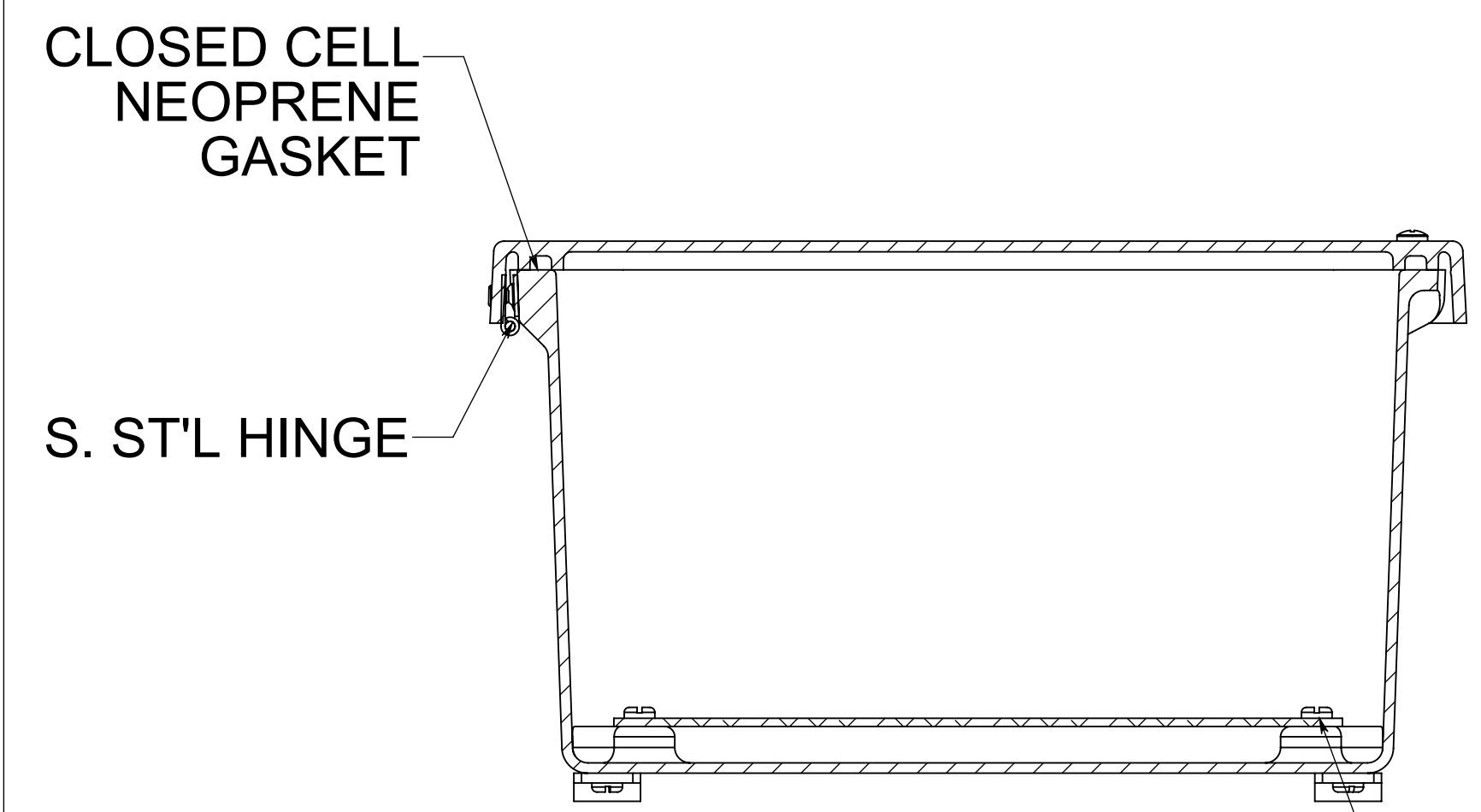
(4) EACH #10-32 BRASS INSERTS, AND STAINLESS STEEL FEET SCREWS

(4) ϕ .34 [8.74]



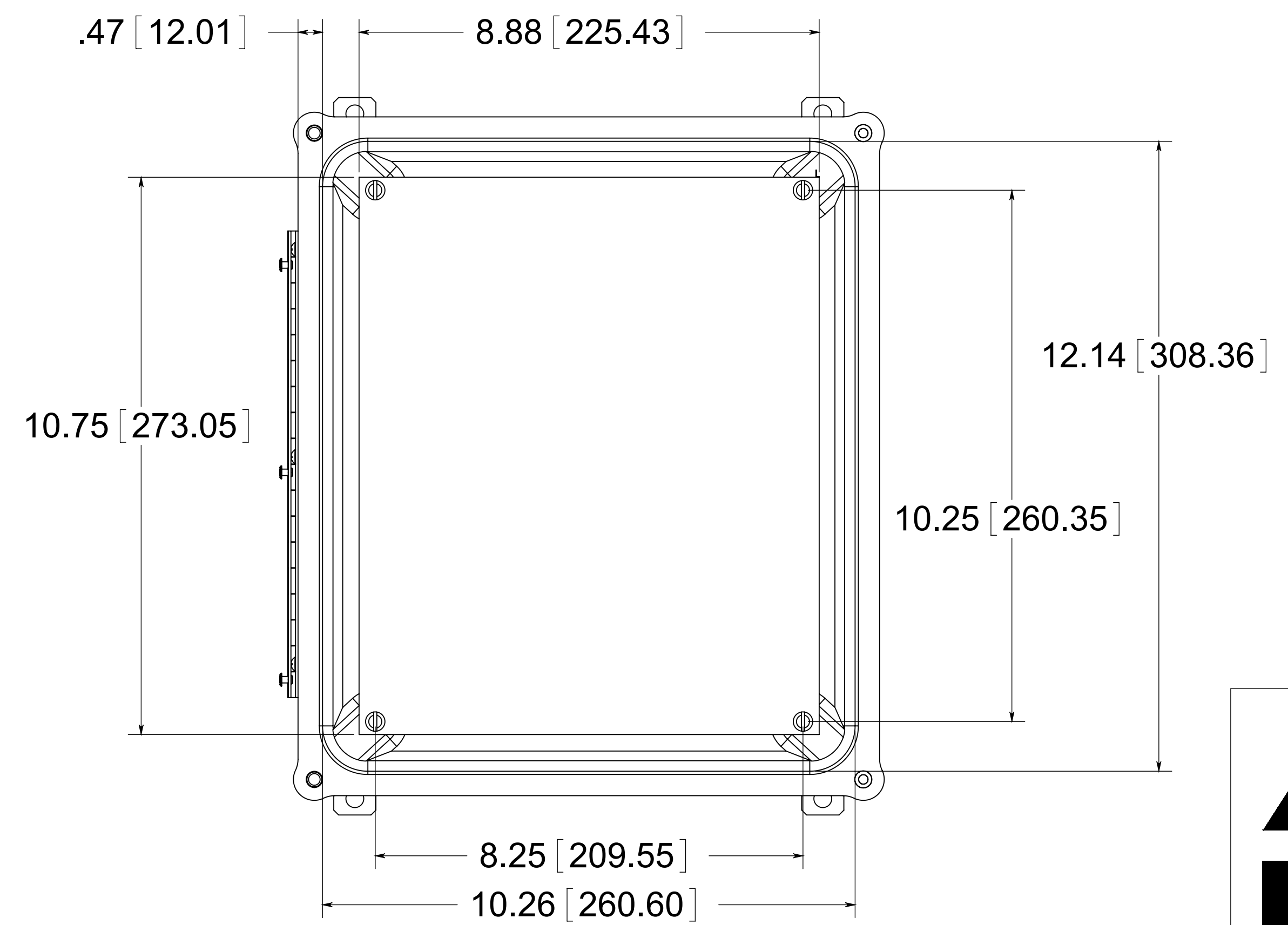
FRONT VIEW WITH COVER REMOVED AND BACK PANEL SHOWN

BACK VIEW

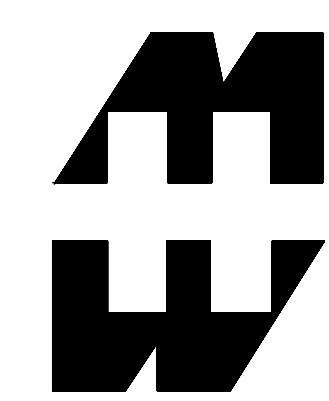


CLOSED CELL NEOPRENE GASKET
 S. ST'L HINGE

(4) EACH #10-32 BRASS INSERTS AND PLATED CARBON SCREWS



MATERIAL
 BOX- COMPRESSION MOLDED FIBERGLASS REINFORCED POLYESTER
 COVER- COMPRESSION MOLDED FIBERGLASS REINFORCED POLYESTER
 WINDOWS- POLYCARBONATE



PART No. PJ12106H
 for more information visit www.hammfg.com
 Data subject to change without notice
 Drawing Not to Scale