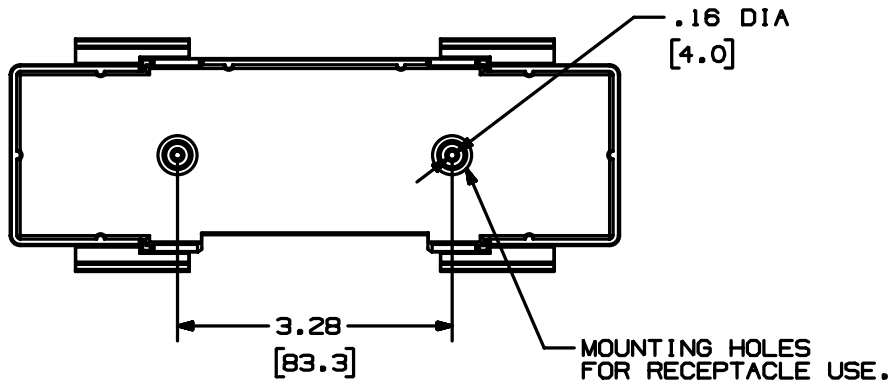


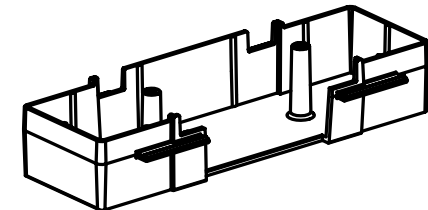
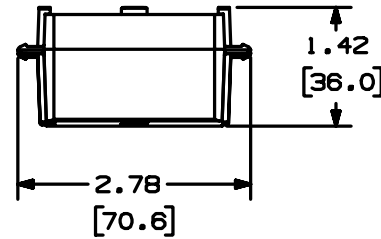
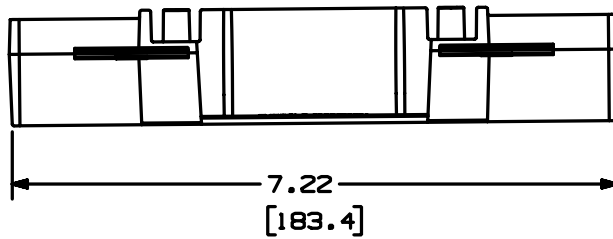
THIS COPY IS PROVIDED ON A RESTRICTED BASIS AND IS NOT TO BE USED IN ANY WAY DETRIMENTAL TO THE INTERESTS OF PANDUIT CORP.



PANDUIT P/N	WEIGHT
T70HB3GFCI	.16 LB/PC (73.5 g/PC)

**NOTES:**

1. SEE CURRENT CATALOG FOR ADDITIONAL PART SUFFIXES TO INDICATE COLOR AND/OR PACKAGE QUANTITY.
2. THE T70HB3GFCI ALLOWS WIRE PASSAGE FROM THE OPEN SIDE OF THE BOX TO THE POWER SIDE OF THE T70B RACEWAY SYSTEM.
3. THE T70HB3GFCI ACCEPTS SNAP-ON RECEPTACLE FACEPLATES.
4. DIMENSIONS IN PARENTHESIS ARE IN METRIC.



CAD FILENAME/LAYERS D38560BA\_DC\_T70HB3GFCI\_01A.prt

**PANDUIT** CORP. TINLEY PARK, ILLINOIS

**T-70 GFCI POWER BOX  
(T70HB3GFCI)  
CUSTOMER DRAWING**

UNLESS OTHERWISE SPECIFIED,  
DIMENSIONAL TOLERANCES ARE:  
(.X) ± (.XXX) ± .010 (.3)  
(.XX) ± .03 (.8) ANGLES ±

UNLESS OTHERWISE SPECIFIED,  
ALL DIMENSIONS ARE GIVEN  
IN INCHES, THIRD ANGLE PROJECTION.

DRAWN BY  
**JBN**

MAT'L:

SCALE  
**NONE**

DATE  
**4-25-03**

**PVC**

DRAWING NO.  
**38560-02**

DWG  
SIZE  
**A**

REV	DATE	BY	CHK	DESCRIPTION	ECN	CHK	CUST	SUP
R	4-25-03	JBN	RMHI	RELEASED TO PRODUCTION	38560-02	RGRO	RGRO	