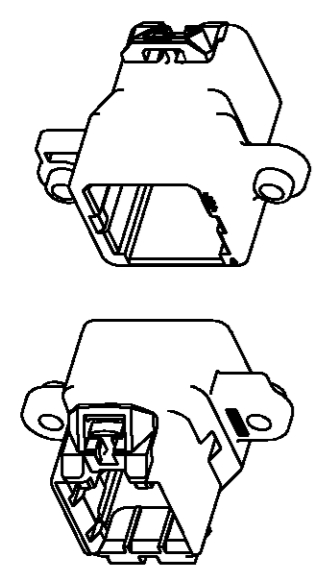
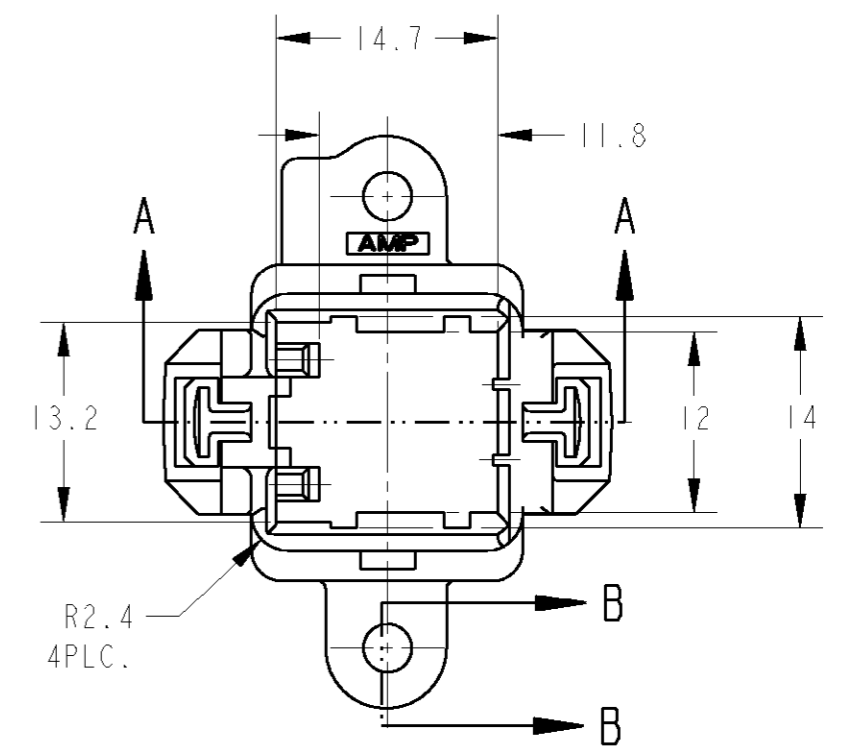
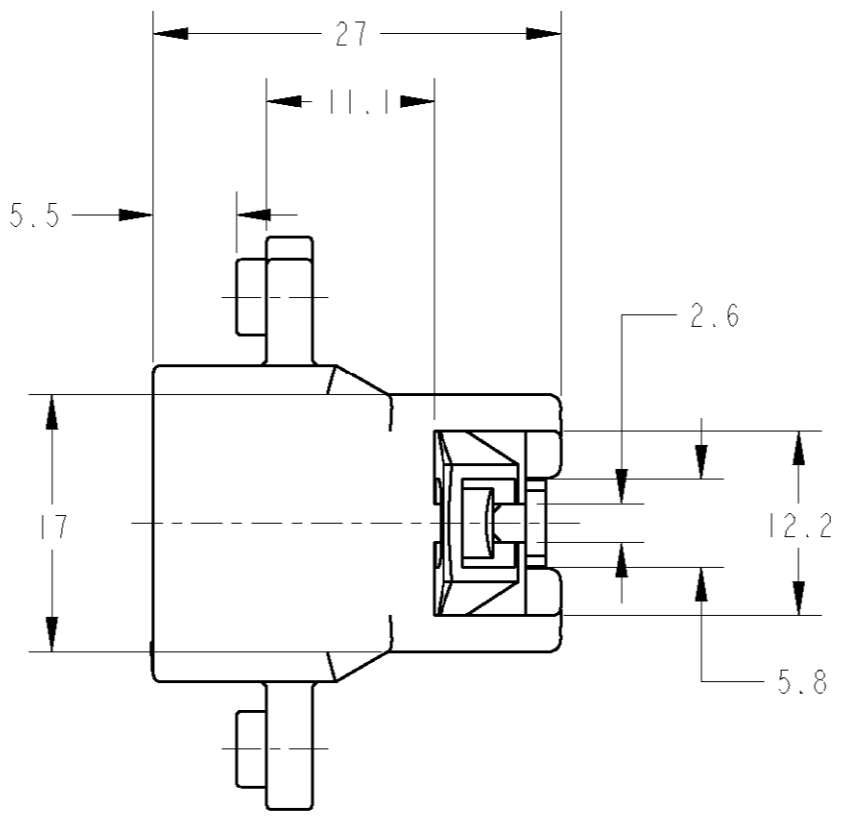
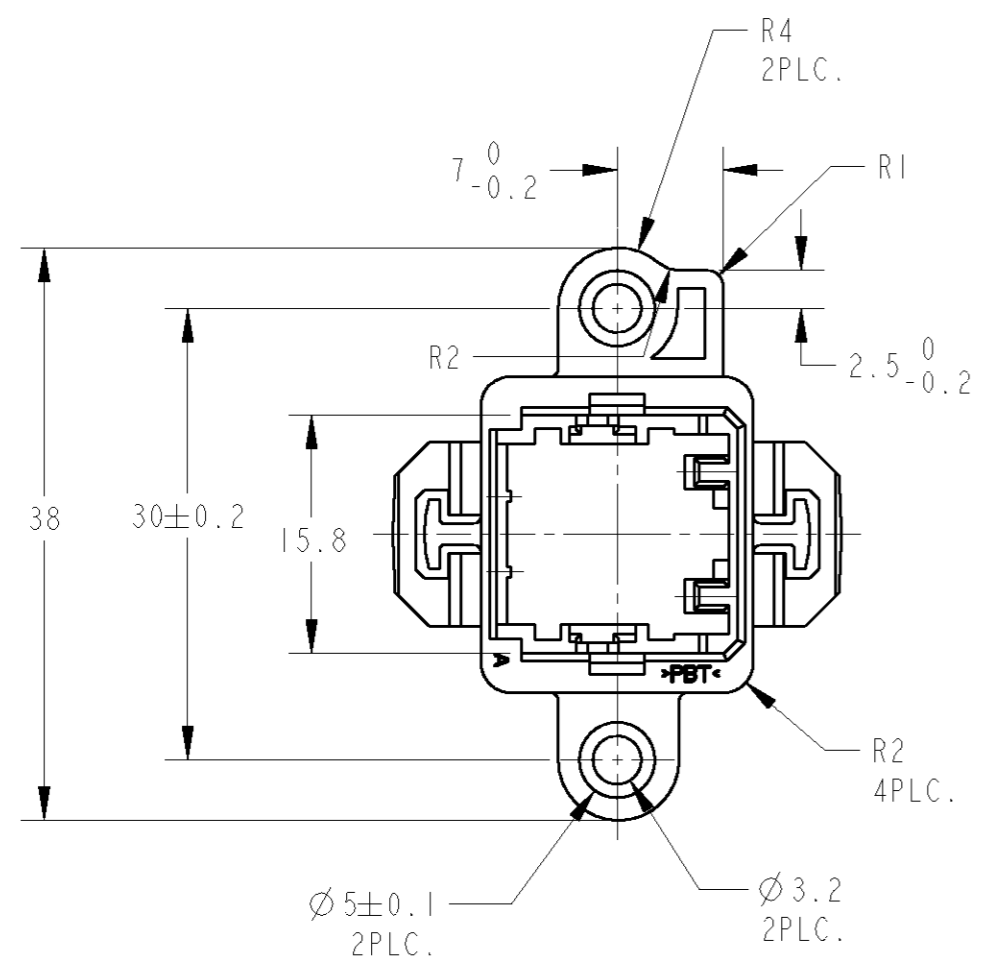
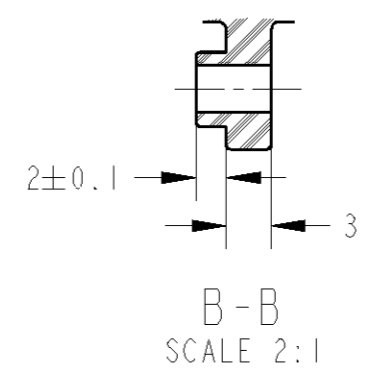
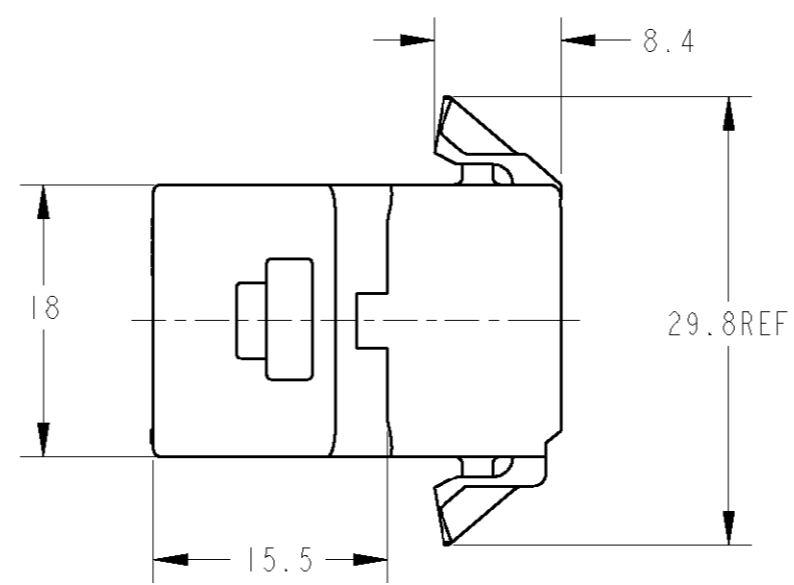
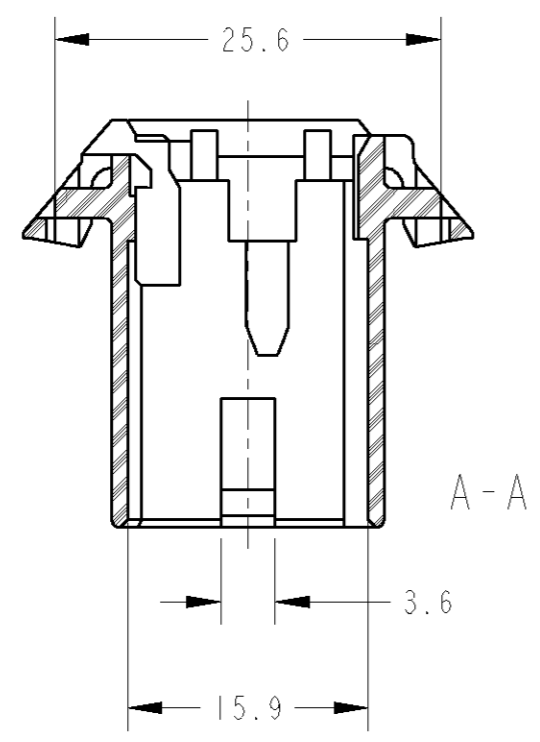


THIS DRAWING IS UNPUBLISHED. RELEASED FOR PUBLICATION
 © COPYRIGHT - BY TYCO ELECTRONICS CORPORATION. ALL RIGHTS RESERVED.

LOC	DIST	REVISIONS						
		P	LTR	DESCRIPTION	ECN	DATE	DWN	APVD
J	-		0	RELEASED	FJ00-1945-01	120CT01	ET	KA
			A	REVISED	FJ00-2476-01	240CT01	ET	KA



SCALE 1:1



- 1. THE MATING INNER HOUSING
PART NUMBER ; 1473866
- 2. PACKING STYLE ; INNER - BLISTER
OUTER - PAPER BOX
- 1. 相手ハウジング型番 ; 1473866
- 2. 梱包形態 ; 内装 - フリスター
外表 - タンボール

NATURAL (WHITE)	1473867-1
COLOR 色	PART NUMBER 製品型番

THIS DRAWING IS A CONTROLLED DOCUMENT FOR TYCO ELECTRONICS CORPORATION IT IS SUBJECT TO CHANGE AND THE CONTROLLING ENGINEERING ORGANIZATION SHOULD BE CONTACTED FOR THE LATEST REVISION.		DWN	E. TAKIZAWA	120CT01
DIMENSIONS: 単位: 概 mm		CHK	Y. FUJIWALA	120CT01
TOLERANCES UNLESS OTHERWISE SPECIFIED: ±0.3		APVD	K. ASAI	120CT01
0 PLC ± 1 PLC ±0.1 2 PLC ±0.01 3 PLC ±0.001 4 PLC ± ANGLES ±3°00'		PRODUCT SPEC	108-5471	
MATERIAL 材料	PBT	FINISH 仕上	-	
		APPLICATION SPEC	取付適用規格	
		WEIGHT	4.5 g	
		CUSTOMER DRAWING		

WIRE RANGE 抱合電線断面積		INSULATION DIA 被覆外径	
AMP Tyco Electronics AMP K.K. Kawasaki, Japan			
NAME 名称 040MLC CONNECTOR 8 POSITIONS CAP OUTER HOUSING (2 PIECES)			
SIZE	CAGE CODE	DRAWING NO 番号	RESTRICTED TO
A3	00779	1473867	-
SCALE 尺度		SHEET	REV
2:1		1	A