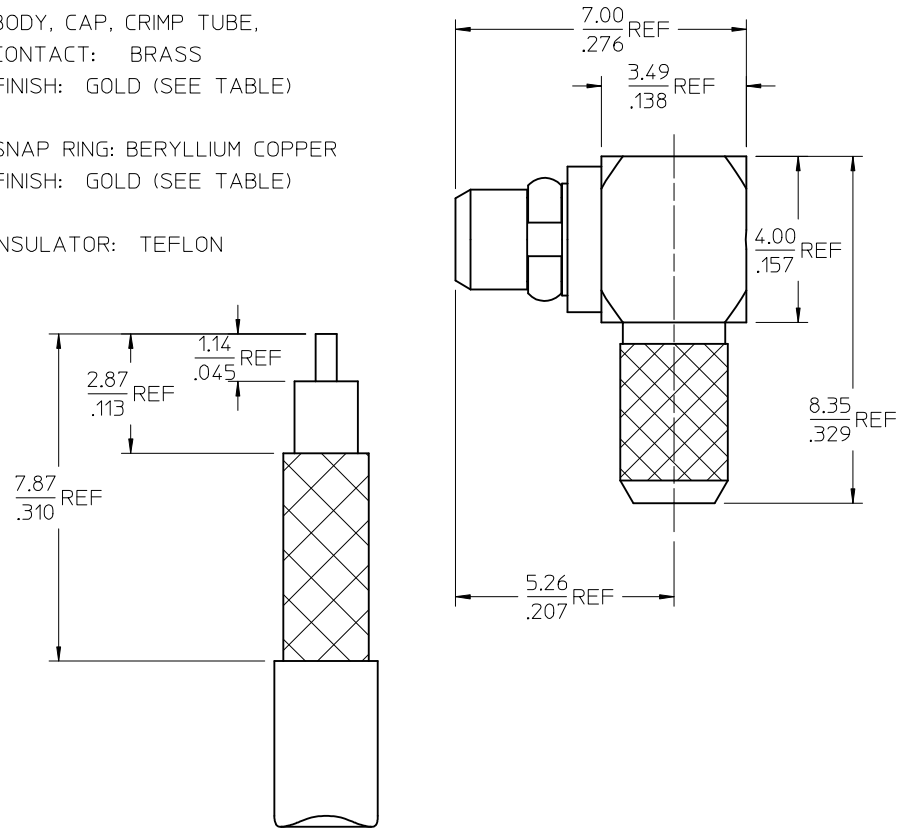
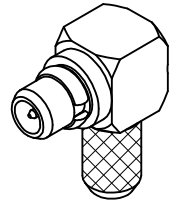


MATERIALS AND FINISHES:

BODY, CAP, CRIMP TUBE,
CONTACT: BRASS
FINISH: GOLD (SEE TABLE)

SNAP RING: BERYLLIUM COPPER
FINISH: GOLD (SEE TABLE)

INSULATOR: TEFLON



CABLE STRIP DIMENSIONS

73415-1125	FLASH	BULK
73415-1124	SEE NOTE 2	BULK
73415-1123	SEE NOTE 1	BULK
73415-1122	COMMERCIAL	ONE PER BAG
73415-1121	COMMERCIAL	BULK
73415-1120	MILITARY	BULK
PART NO.	PLATING	PACKAGING

PLATING NOTES:

- 10u" FOR BODY/CAP/TUBE; 30u" FOR CONTACT/RING
- 30u" FOR CONTACT; ALL OTHER ITEMS FLASH

CECC 22 340	INTERFACE
PS-89675-1920	ELECTRO/MECH PERFORM.
SPECIFICATION	DESCRIPTION

CHG: .310 STRIP
WAS .330
PS WAS -1930
INTERFACE SPEC WAS
ES-73599-0000-015
EC NO: URF2013-0552
DRWN:WIENER 2013/04/03
CHKD:SSS
APPR:WIENER 2013/04/08
REV A8

QUALITY SYMBOLS

 DESCRIPTION

GENERAL TOLERANCES (UNLESS SPECIFIED)

	mm	INCH
4 PLACES	± .005	± .0005
3 PLACES	± .003	± .0003
2 PLACES	± .002	± .0002
1 PLACE	± .001	± .0001

ANGULAR ± 2 °
 DRAFT WHERE APPLICABLE
 MUST REMAIN
 WITHIN DIMENSIONS

DIMENSION STYLE
MM/IN
 DRAWN BY DATE
 TEF 2000/01/13
 CHECKED BY DATE
 TEF 2000/01/13
 APPROVED BY DATE
 GMH 2000/01/13
 MATERIAL NO.
SEE TABLE
 SIZE

SCALE
 DESIGN UNITS
METRIC

 THIRD ANGLE PROJECTION
 TITLE
**MMCX PLUG, R/A RG316
 50 OHMS
 MMCX-PC**

MOLEX INCORPORATED
 DOCUMENT NO.
SD-73415-112
 SHEET NO.
1 OF 1
 THIS DRAWING CONTAINS INFORMATION THAT IS PROPRIETARY TO MOLEX INCORPORATED AND SHOULD NOT BE USED WITHOUT WRITTEN PERMISSION