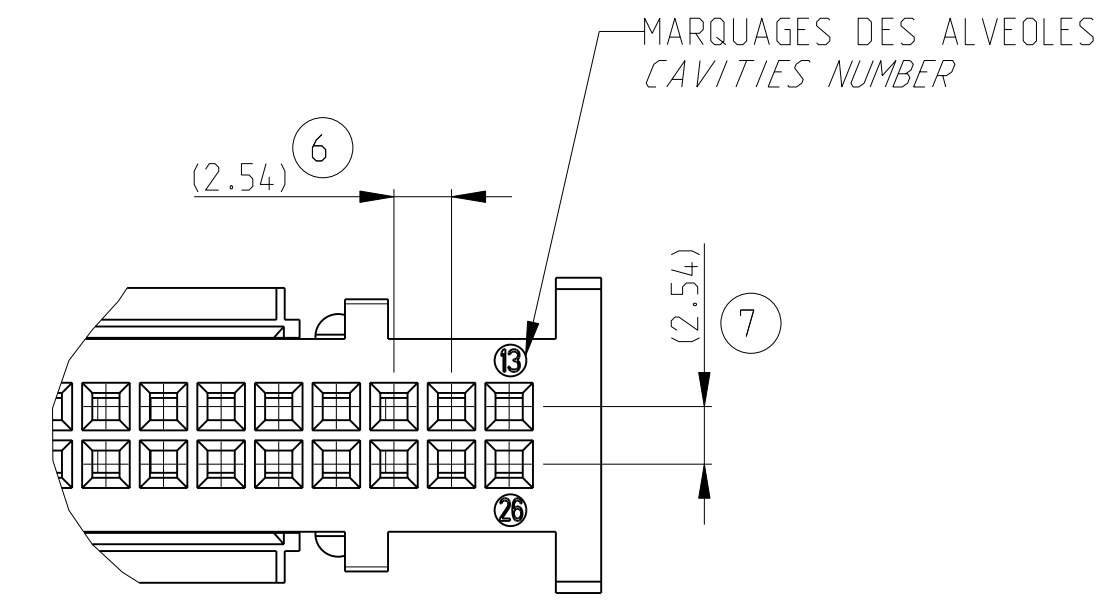
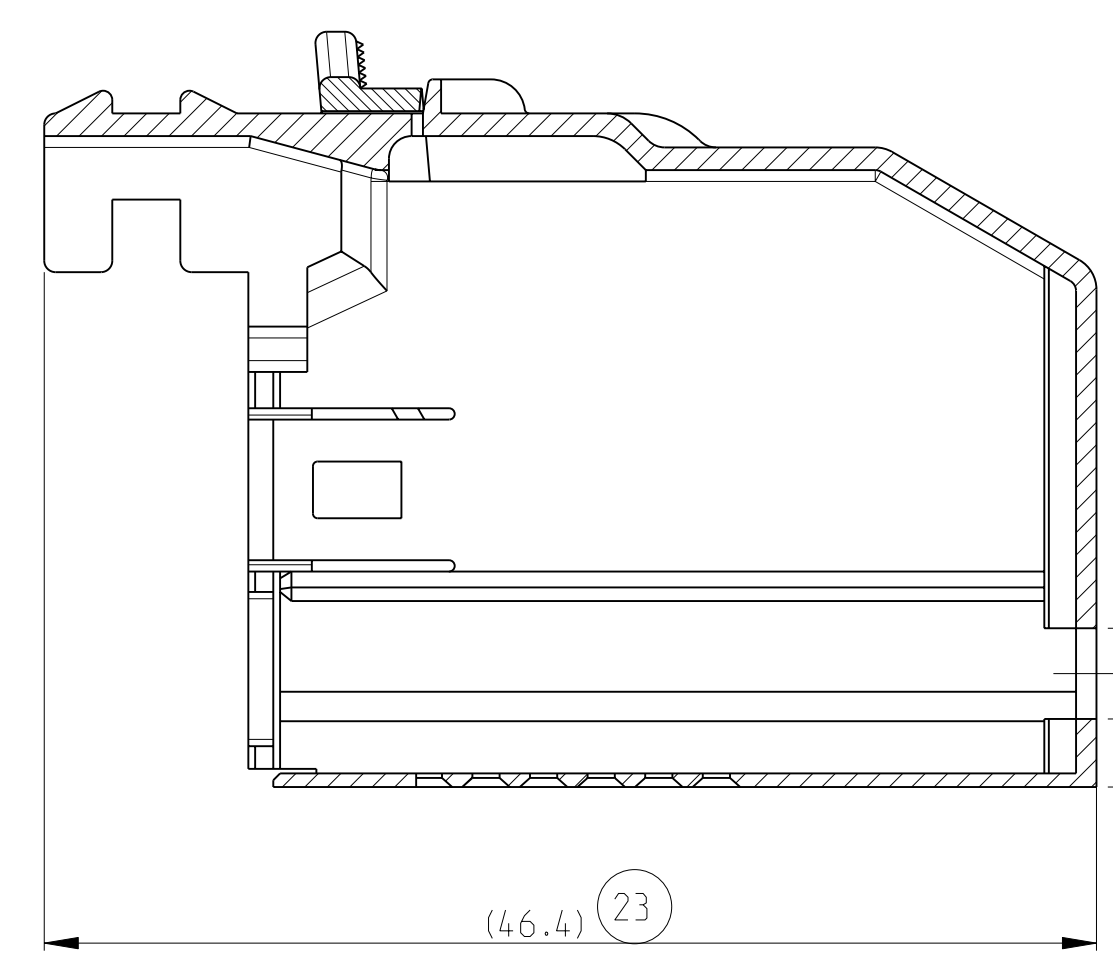
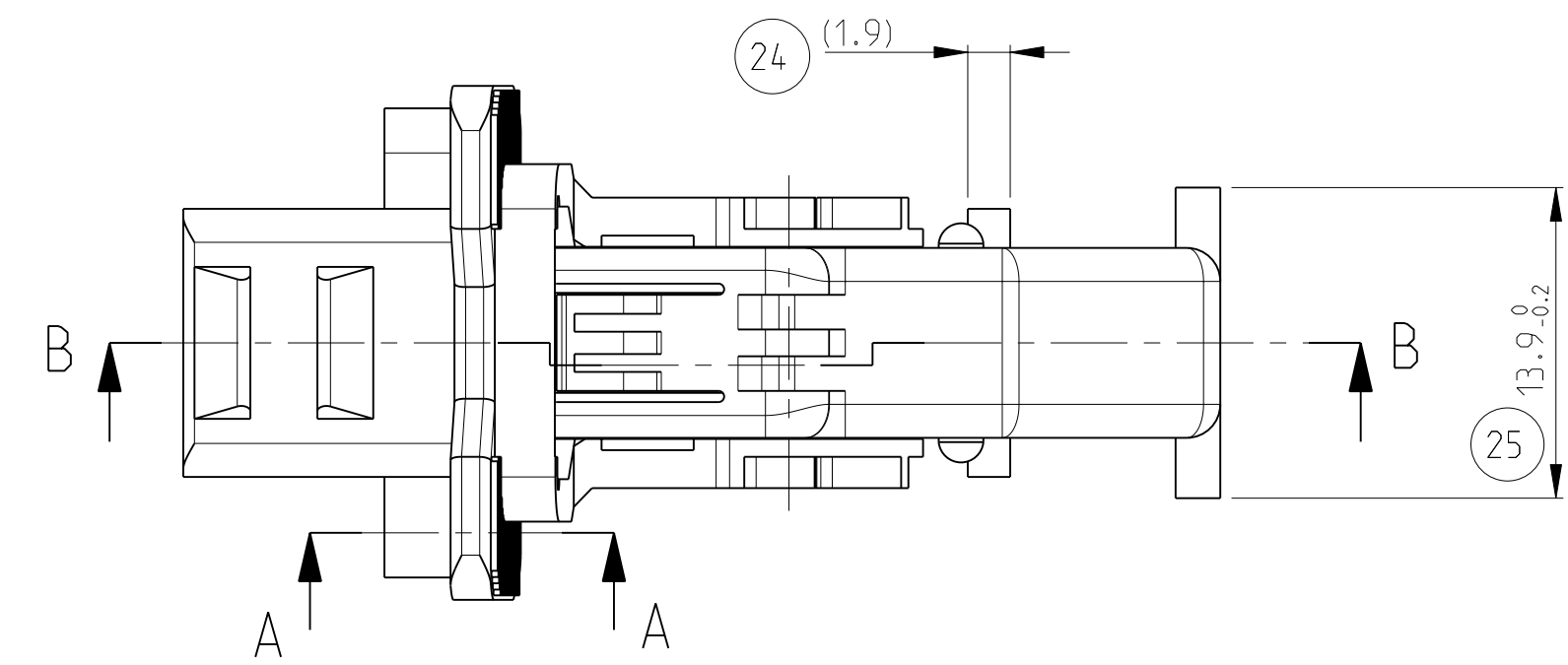
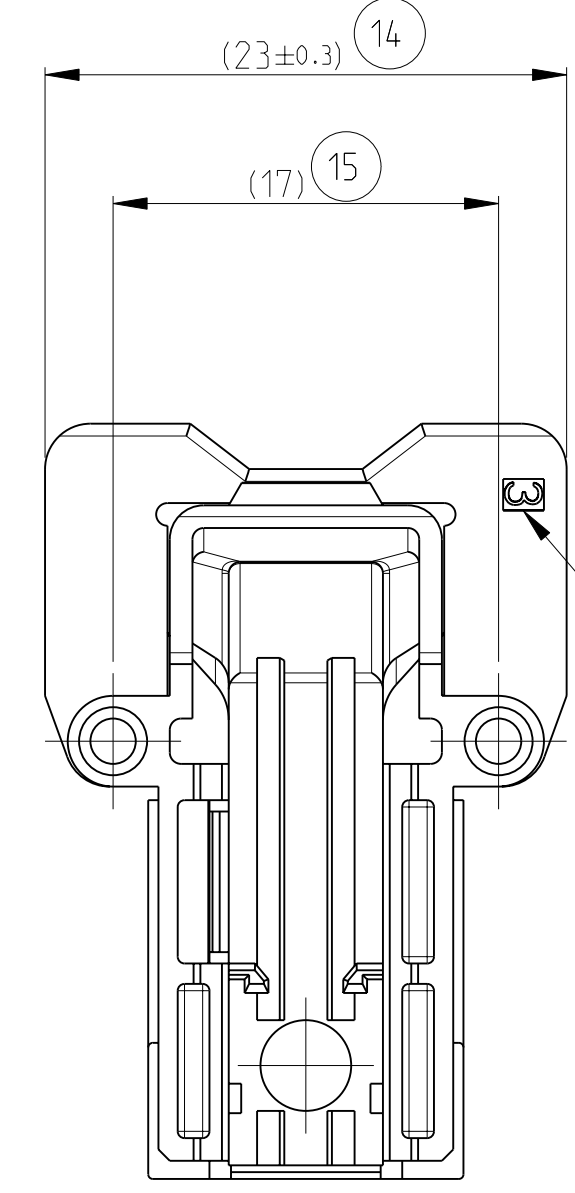
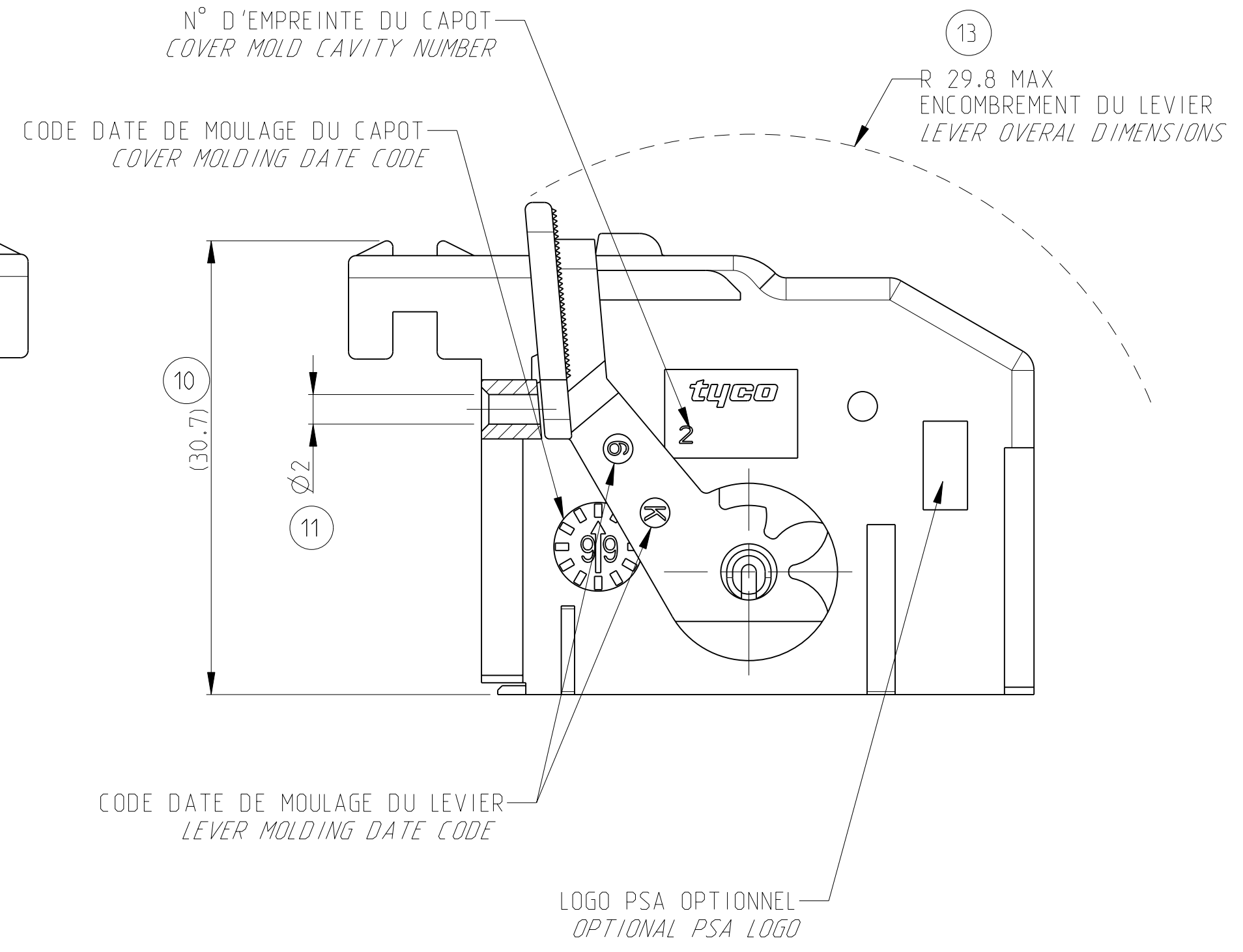
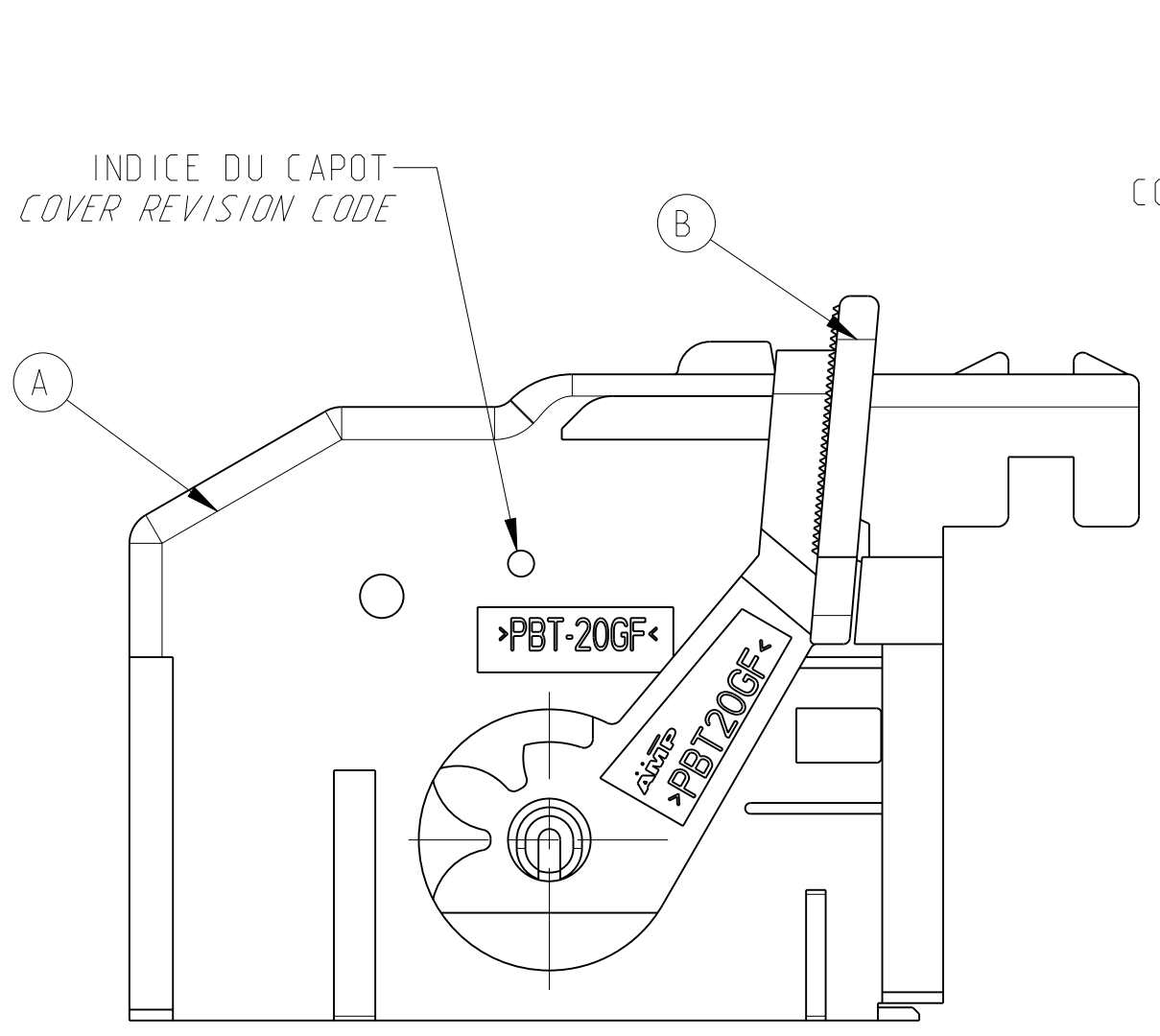


LOC	DIST	REV	DESCRIPTION	DATE	OWN	APVD
F	00	B	UPDATE DOT VIEW	24DEC2008	P.B	JP.P
		C	UPDATE DRAWING	10JUL2009	NS	XR

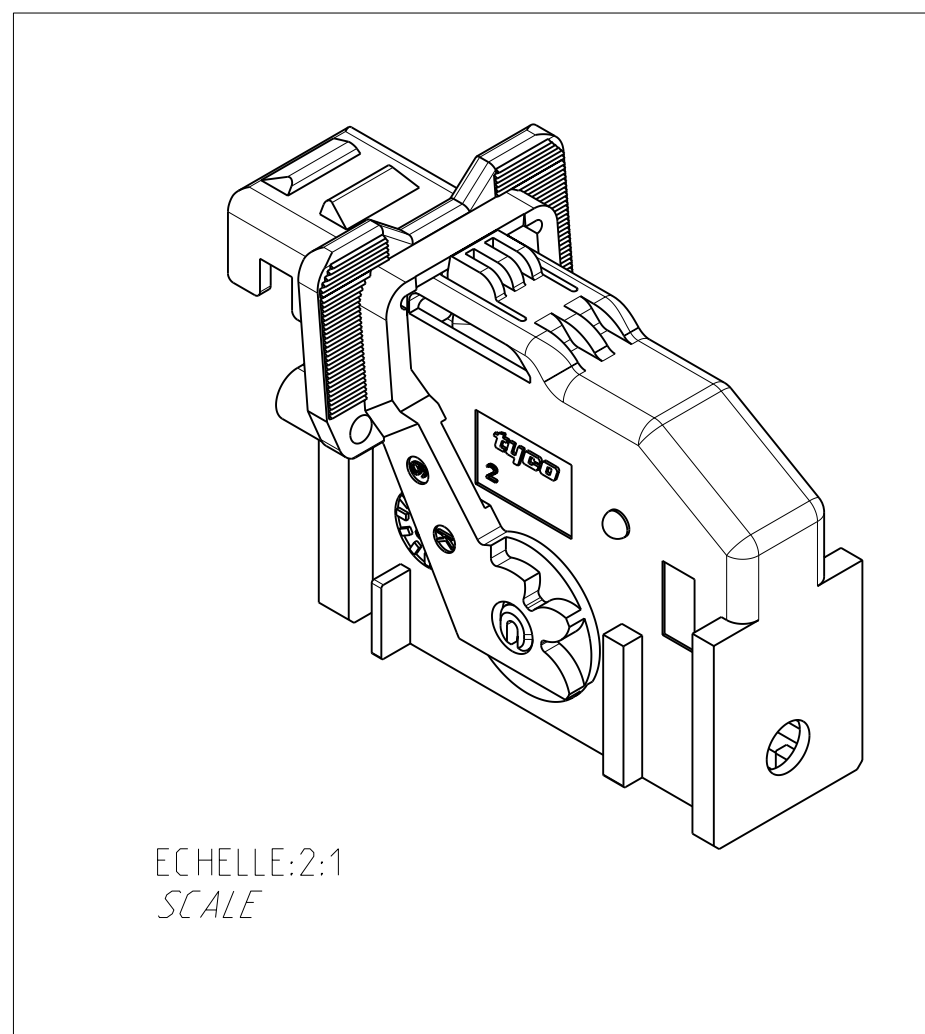
SECTION B-B



SECTION A-A



DESIGNATION	REP.	QTE	MATIERE	REFERENCE TYCO ELECTRONICS	COULEUR	DETROMPAGE
DESCRIPTION	ITEM	QTY	MATERIAL	TYCO ELECTRONICS PART NUMBER	COLOR	POLARISATION
CAPOT COVER	A	1	PBT20%FV	185879-4	VERT GREEN	27 13.8.1
LEVIER LEVER	B	1	PBT20%FV	185879-4	NOIR BLACK	28 9.9.0.1
CAPOT COVER	A	1	PBT20%FV	185879-3	ROUGE RED	29 9.9.0.1
LEVIER LEVER	B	1	PBT20%FV	185879-3	NOIR BLACK	30 13.8.1
CAPOT COVER	A	1	PBT20%FV	185879-2	BLEU BLUE	31 13.8.1
LEVIER LEVER	B	1	PBT20%FV	185879-2	NOIR BLACK	30 13.8.1
CAPOT COVER	A	1	PBT20%FV	185879-1	JAUNE YELLOW	32 9.9.0.1
LEVIER LEVER	B	1	PBT20%FV	185879-1	NOIR BLACK	30 13.8.1



NOTE

1 - CABLAGE MAXI : 8 FILS DE SECTION 0.6 mm<sup>2</sup> (DIA MAXI ISOLANT DE 1.9 mm) POUR FORCE D'INSERTION MODULE/PORTE MODULE : F<20N ET POUR ETRE EN CONFORMITE AVEC LA SPEC. 108-15158

- MAXIMAL CABLING : 8 WIRES SECTION 0.6mm<sup>2</sup> (DIA MAXIMAL INSULATOR 1.9mm) FOR THE INSERTION FORCE MODULE/ASSY COVER : F<20N AND TO BE IN ACCORDANCE WITH THE SPEC. 108-15158

COMPOSANTS ASSOCIES MATING PARTS	
REF. TE PART NUMBER	DESIGNATION
185875-1	PORTE CLIP 26 VOIES MQS RECEPTACLE HSG 26 W MQS

185879-1 REPRESENTEE  
AS SHOWN

<small>THIS DRAWING IS UNPUBLISHED. RELEASED FOR PUBLICATION BY TYCO ELECTRONICS CORPORATION. ALL RIGHTS RESERVED. 20</small>		DWN. DESSINE Philippe BACHELOT CHK. REVISE JP. PICAUD APVD. APPROUVE No PLAN PRODUCT SPEC 108-15158 APPLICATION SPEC 411-15581 MATERIAL - FINISH -	23DEC2008 Tyco Electronics France SAS 95300 Pontoise, France NAME ASSEMBLY COVER 26W MQS GENE 2 PORTE MODULE 26 VOIES MQS GENE 2 SIZE A1 CAGE CODE 00779 DRAWING NO 185879 RESTRICTED TO RESERVE A REV C
DIMENSIONS mm 	TOLERANCES UNLESS OTHERWISE SPECIFIED: ±0.2 ±0.1 ±0.05 ±0.025 ±0.0125 ANGLES 45°	WEIGHT MASSE APPROX. 6.3 gr CUSTOMER DRAWING /PLAN CLIENT	UNIFORMITY SCALE 2:1 SHEET FEUILLE 1 OF 1 REV C