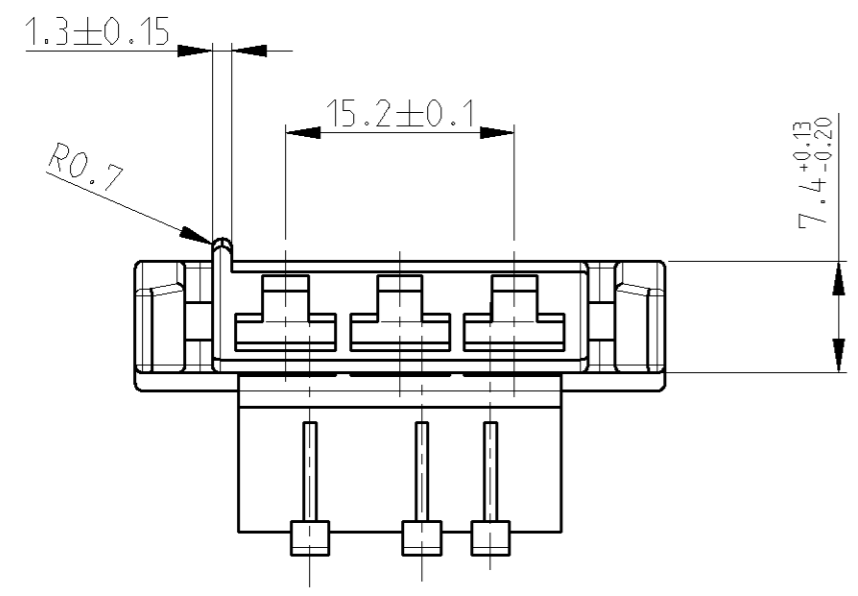
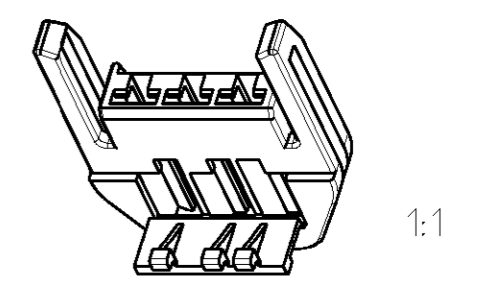
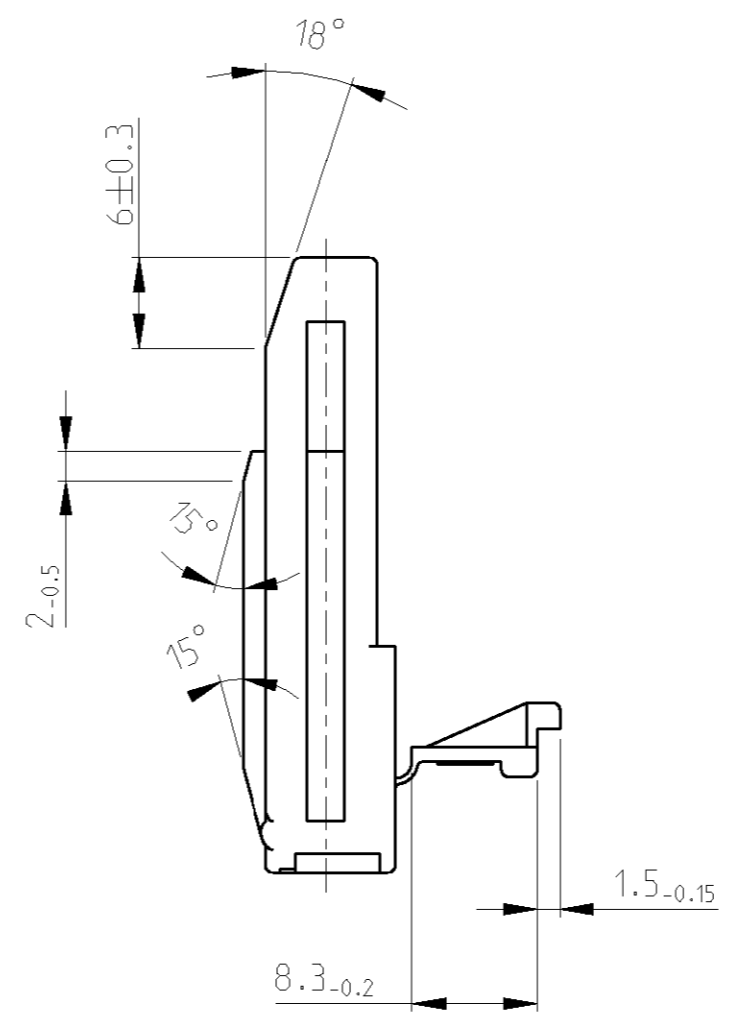
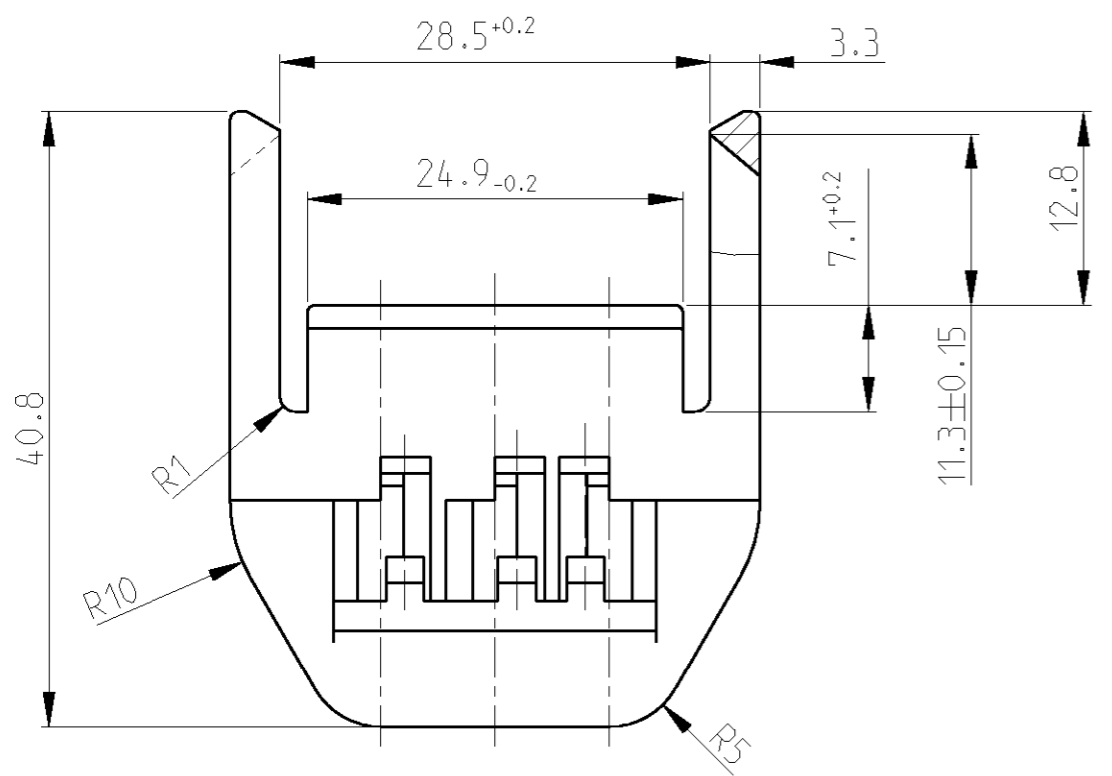
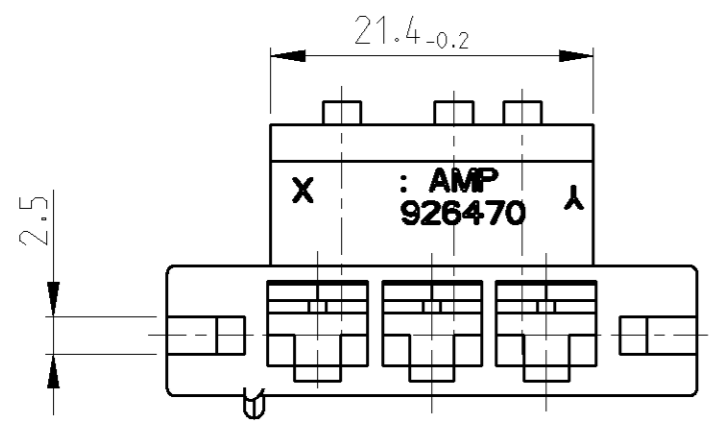


THIS DRAWING IS UNPUBLISHED. RELEASED FOR PUBLICATION 2005  
 © COPYRIGHT 2005 BY TYCO ELECTRONICS CORPORATION. ALL RIGHTS RESERVED.

LOC	DIST	REVISIONS					
		P	LTR	DESCRIPTION	DATE	DWN	APVD
A1	-		L1	NEW CAD-DRAWING CREATED	20MAY2005	Abr	C.G.



ALL RADII 0.5 EXCEPT AS NOTED  
 Unbemaßte Radien R 0.5

BLACK	Polyamid 6.6 ZYTEL 408	926470-1	L
COLOR	MATERIAL	PART-NUMBER	REV.

THIS DRAWING IS A CONTROLLED DOCUMENT FOR TYCO ELECTRONICS CORPORATION. IT IS SUBJECT TO CHANGE AND THE CONTROLLING ENGINEERING ORGANIZATION SHOULD BE CONTACTED FOR THE LATEST REVISION.		DWN Abraham.G. 20MAY2005	<b>tyco</b> tyco Electronics AMP GmbH	
DIMENSIONS: mm		CHK Goepfel.C. 23MAY2005	<b>Electronics</b> D - 64625 Bensheim	
TOLERANCES UNLESS OTHERWISE SPECIFIED: 0 PLC ±0.2 1 PLC ±0.2 2 PLC ±0.2 3 PLC ±0.2 4 PLC ±0.2 ANGLES ±1°30'		APVD -	NAME 3 POS. POSITIVE MATE HINGED REC. HSG. 3 pol. Pos. Mate Geh. f. Flachsteckhülse	
MATERIAL -		PRODUCT SPEC -	RESTRICTED TO -	
FINISH -		APPLICATION SPEC -	SIZE A3	CAGE CODE 00779
CUSTOMER DRAWING		WEIGHT 4.3 g	DRAWING NO 926470	SCALE 2:1
		SHEET 1 OF 1		REV L1