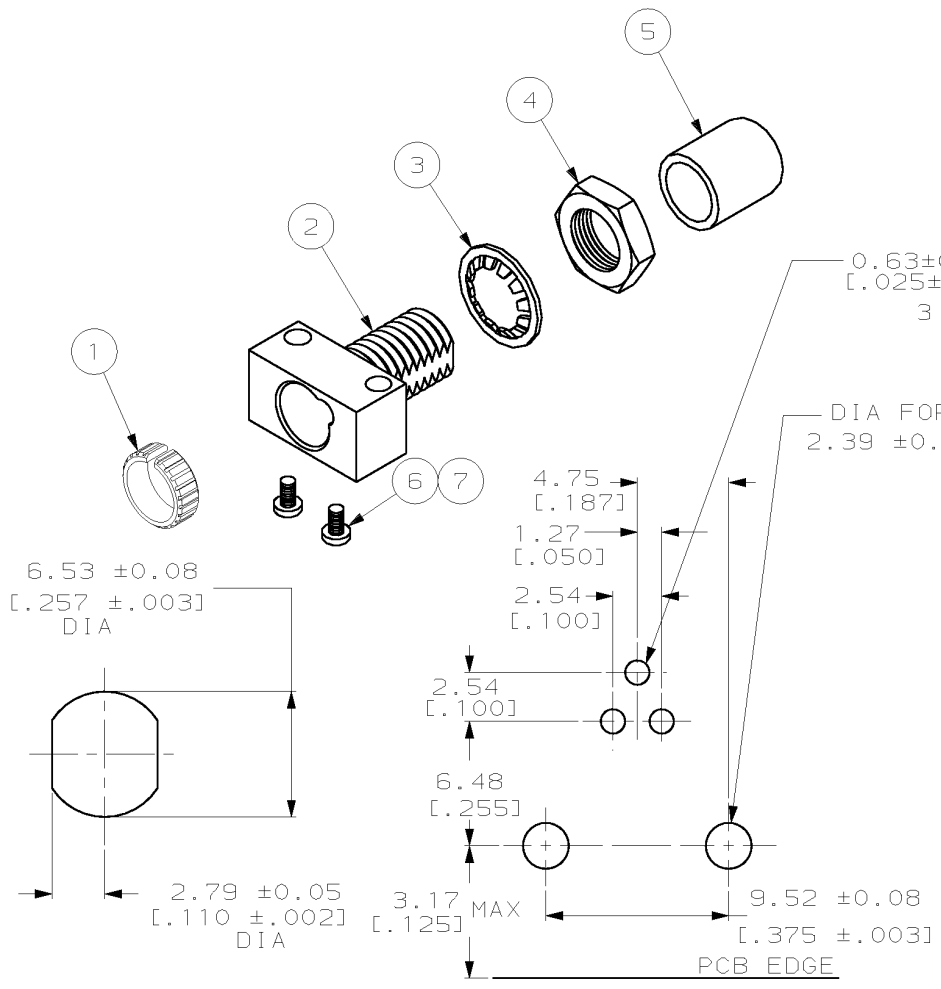


THIS DRAWING IS UNPUBLISHED. RELEASED FOR PUBLICATION .19
 © COPYRIGHT 19 BY AMP INCORPORATED. ALL RIGHTS RESERVED.

LOC	DIST	REVISIONS			
P	LTR	DESCRIPTION	DATE	DWN	APVD
CE	16	K	REV PER 0A00-0065-03	6-5-03	DE SB



- MAX RECOMMENDED PANEL THICKNESS: 1.57 [.062]
 - DIMENSIONS IN [] ARE IN INCHES
 - ACCEPTS ACTIVE DEVICES: TO-18 TYPE, TO-46 TYPE, TO-52 TYPE, AND HONEYWELL LOW-COST PLASTIC SWEETSPOT
- △ BULK PACKAGED

OBSOLETE		OBSOLETE		OBSOLETE		OBSOLETE		OBSOLETE		OBSOLETE		OBSOLETE			
QTY	REQ'D	PER	ASSY	QTY	REQ'D	PER	ASSY	QTY	REQ'D	PER	ASSY	QTY	REQ'D	PER	ASSY
-	-	-	-	2	-	-	2-22798-5	2-56x.50" SCREW	7						
-	-	-	-	2	2	2-22798-2	2-56x.25" SCREW	6							
1	1	1	1	1	1	1-26538-9	PROTECTIVE CAP	5							
-	1	1	-	1	1	981155-4	JAM NUT	4							
-	1	1	-	1	1	1-22145-3	LOCK WASHER	3							
1	1	1	1	1	1	502137-2	ACTIVE DEVICE MOUNT	2							
1	1	1	1	1	1	501084-1	ALIGNMENT RING	1							
-7	-6	-5	-4	-3	-2	-1									
QTY REQ'D PER ASSY												PART NO	DESCRIPTION	ITEM NO.	

SUGGESTED CLEARANCE HOLE

SUGGESTED MOUNTING PATTERN

THIS DRAWING IS A CONTROLLED DOCUMENT.

DIMENSIONS: mm	TOLERANCES UNLESS OTHERWISE SPECIFIED:	DWN D.KNOWLDEN 7-13-88	AMP AMP Incorporated Harrisburg, PA 17105-3608
	0 PLC ±-	CHK B.BRIGGS 7-14-88	
	1 PLC ±-	APVD K.MONROE 7-14-88	
	2 PLC ±0.25 [.010]	NAME	
MATERIAL DEVICE MOUNT: ZINC	FINISH DEVICE MOUNT	PRODUCT SPEC	ACTIVE DEVICE MOUNT KIT, PCB MOUNT, FSMA, OPTIMATE
		APPLICATION SPEC	SIZE CAGE CODE DRAWING NO RESTRICTED TO
		WEIGHT	A3 00779 C-502136
		CUSTOMER DRAWING	SCALE 4:1 SHEET 1 OF 1 REV K