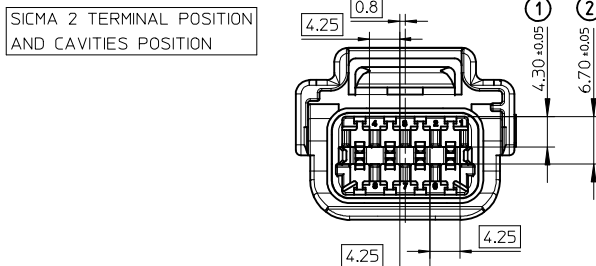
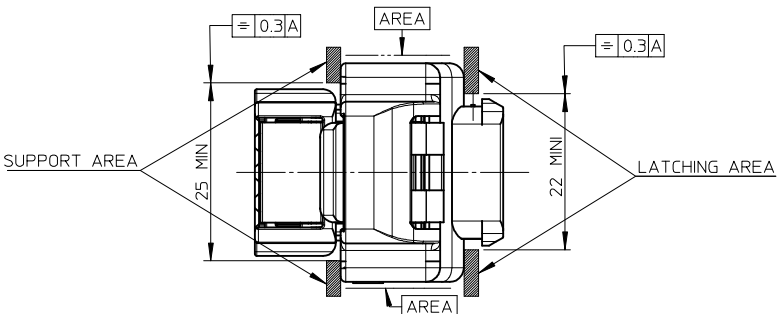
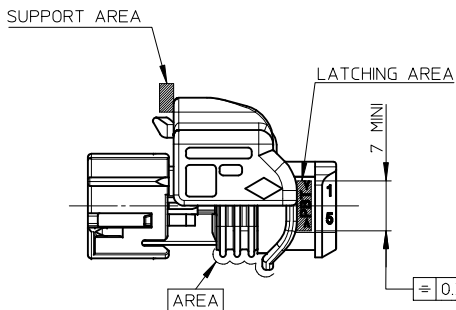


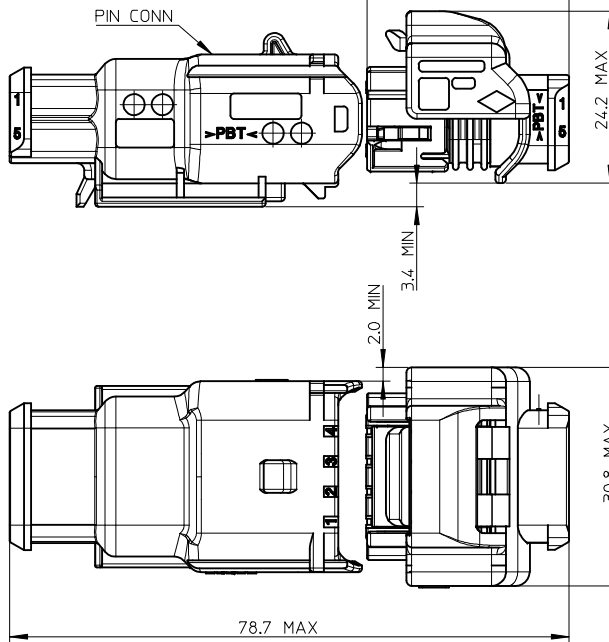
2	GREY	SICMA RCPT CONN SLD W/ 1.5 GRY 8CKT	0987881088
1	BLACK	SICMA RCPT CONN SLD W/ 1.5 BLK 8CKT	0987881081
CODING	COLOR	DESCRIPTION	MATERIAL NUMBER

WIRE INTERFACE SUPPORT

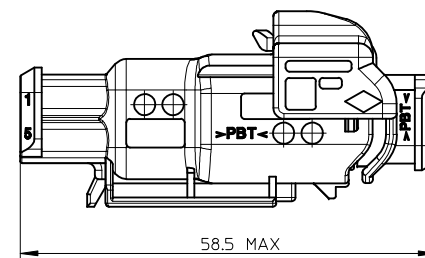


SICMA 2 TERMINAL POSITION AND CAVITIES POSITION

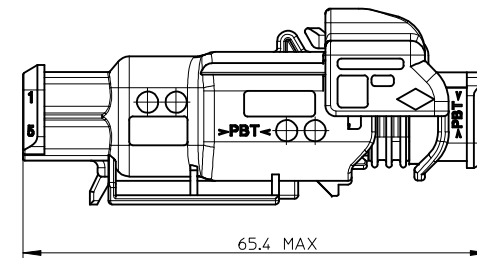
MATING / UNMATING OVERALL DIMENSIONS



OVERALL DIMENSION AFTER LOCKING



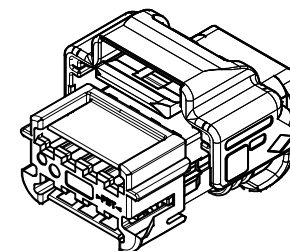
OVERALL DIMENSION BEFORE LOCKING



NOTES:

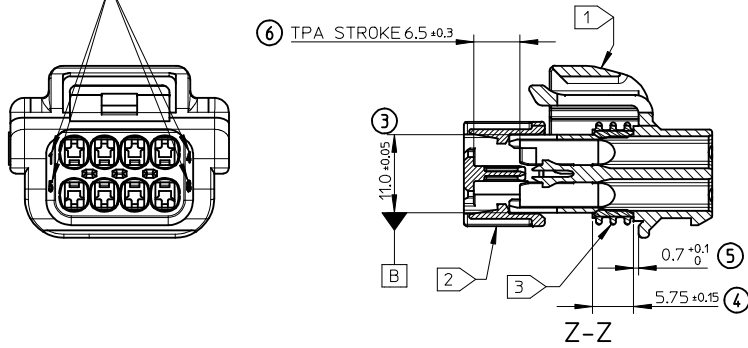
1. MATERIALS: SEE CHART
2. FINISHES: N/A
3. PRODUCT SPECIFICATION: AS-98788-001
4. PACKAGING INFORMATION: PK-98788-001
5. MATES WITH: 0987891081(BLACK), 0987891088(GREY)
6. WIRE OUTSIDE Ø: 1.25mm<Ø<2.4mm
7. CONNECTOR TIGHTENING STRENGTH ON WIRING INTERFACE:
 - 200 TO 250 N WITH PUSH TEST
 - 50 TO 250 WITHOUT PUSH TEST
8. AREAS SHOWN AS: AREA
 - DO NOT LOCK WIRING INTERFACE
 - DO NOT DAMAGE THE PART

ISOMETRIC VIEW

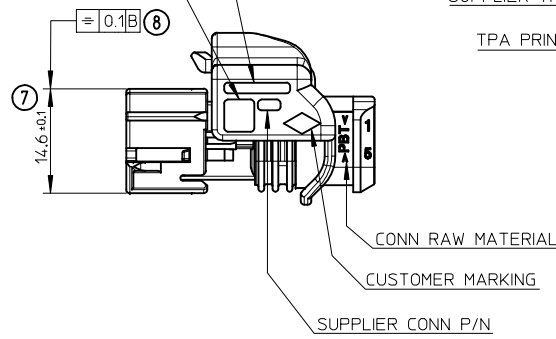


MARKING EC NO: G2014-0207 DRN: AHERBEL IN 2014/03/27 CHK: DJUCLOS 2014/03/27 APPR: OPLESSIS 2014/04/15	QUALITY SYMBOLS ∇=0 ∇=0 ∇=0	GENERAL TOLERANCES (UNLESS SPECIFIED)		DIMENSION STYLE MM ONLY	SCALE 2:1	DESIGN UNITS METRIC	FIRST ANGLE PROJECTION
		mm INCH	DRAWN BY VLOUVANCOUR	DATE 2007/08/02	TITLE SICMA RCPT CONN SLD W/ 1.5 8CKT		
4 PLACES ± --- ± --- 3 PLACES ± --- ± --- 2 PLACES ± --- ± --- 1 PLACE ± 0.2 ± --- 0 PLACE ± --- ± ---	CHECKED BY YIGEL	DATE 2007/08/02	APPROVED BY LSTICKEIR	DATE 2007/08/02	DOCUMENT NO. SD-98788-004		
DRAFT WHERE APPLICABLE MUST REMAIN WITHIN DIMENSIONS		ANGULAR ± 2 °		THIS DRAWING CONTAINS INFORMATION THAT IS PROPRIETARY TO MOLEX INCORPORATED AND SHOULD NOT BE USED WITHOUT WRITTEN PERMISSION			

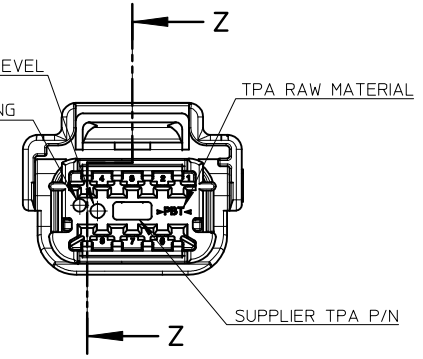
CAVITY MARKING



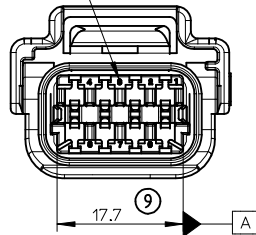
CUSTOMER MARKING
CUSTOMER LOGO



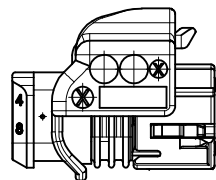
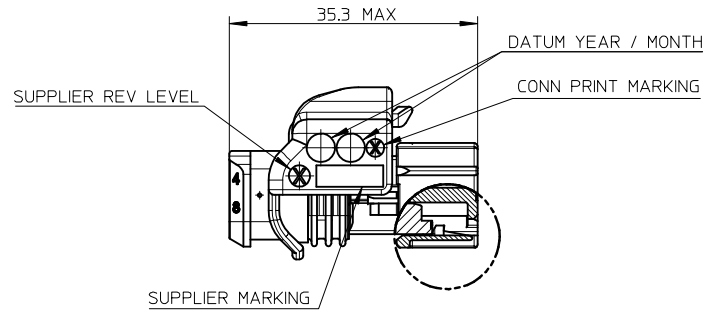
SUPPLIER TPA REV LEVEL
TPA PRINT MARKING
TPA RAW MATERIAL



CAVITY MARKING



VIEW WITHOUT TPA



VIEW WITH TPA LOCKED

3	1	Piece	SICMA RCPT CONN SLD 8CKT	0987880186	SILICONE	0.545g
2	1	Piece	SICMA RCPT CONN TPA YEL 8CKT	0987880094	PBT POLYESTER UF UL94HB	1.310g
1	1	Piece	SICMA RCPT CONN 15 GRY 8CKT	0987880088		6.070g
			SICMA RCPT CONN 15 BLK 8CKT	0987880081		
Item	Amount	Unit	Description	Material-Number	Material	Weight Calculated

MARKING EC NO: G2014-0207 DRAWN: AHERBEL IN 2014/03/27 CHKD: IDUCLOS 2014/03/27 APPR: OPLESSIS 2014/04/15 REV	QUALITY SYMBOLS	GENERAL TOLERANCES (UNLESS SPECIFIED)	DIMENSION STYLE MM ONLY	SCALE 2:1	DESIGN UNITS METRIC	FIRST ANGLE PROJECTION
	▽=0	mm INCH	DRAWN BY DATE VLOUVANCOUR 2007/08/02	TITLE	SICMA RCPT CONN SLD W/ 15 8CKT	
	▽=0	4 PLACES ± --- ± ---	CHECKED BY DATE YIGEL 2007/08/02	molex DOCUMENT NO. SD-98788-004 SHEET NO. 2 OF 2		
	▽=0	3 PLACES ± --- ± ---	APPROVED BY DATE LSTICKEIR 2007/08/02			
ANGULAR ± 2 °			MATERIAL NO.	SEE SHEET 1		
DRAFT WHERE APPLICABLE MUST REMAIN WITHIN DIMENSIONS			THIS DRAWING CONTAINS INFORMATION THAT IS PROPRIETARY TO MOLEX INCORPORATED AND SHOULD NOT BE USED WITHOUT WRITTEN PERMISSION			