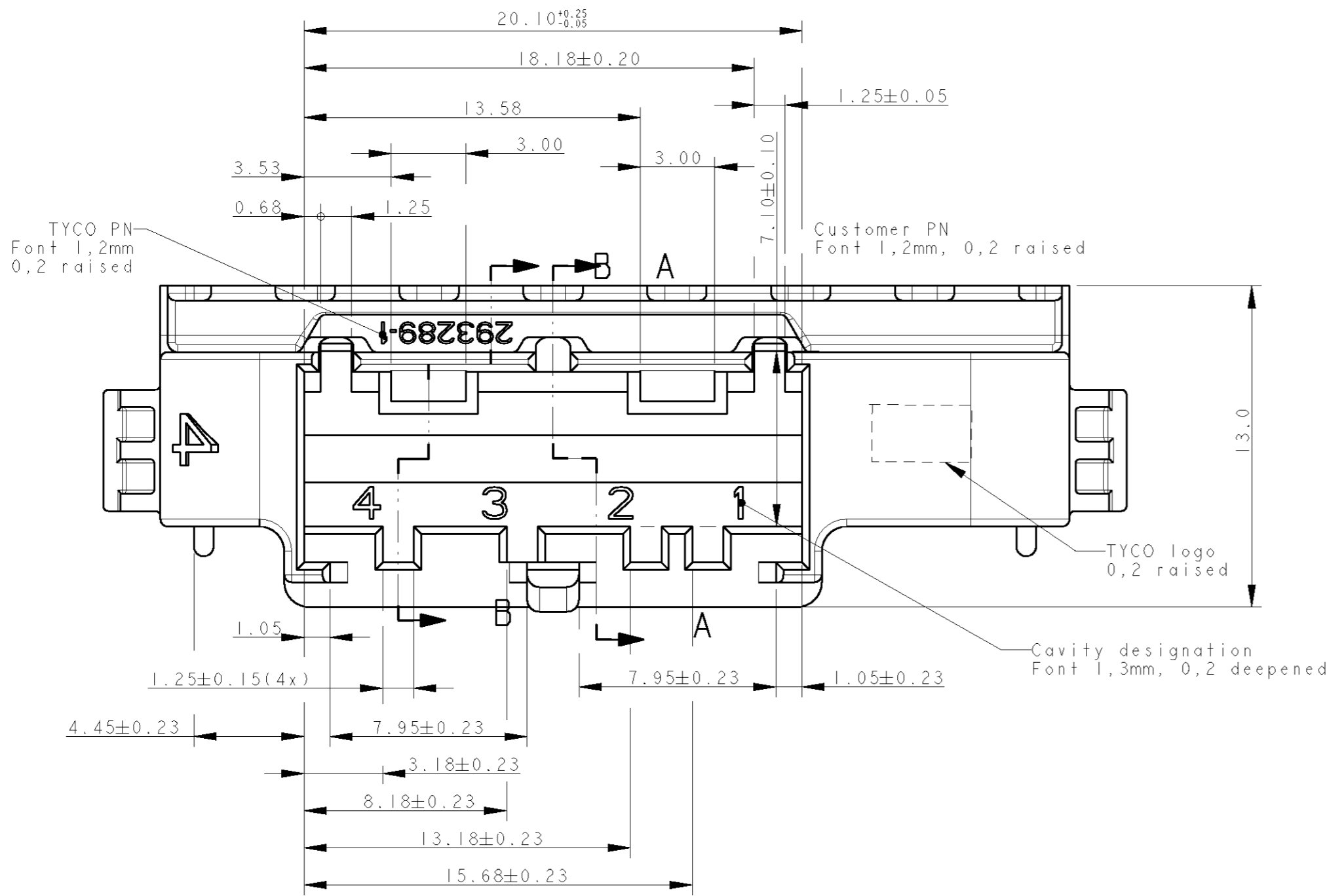
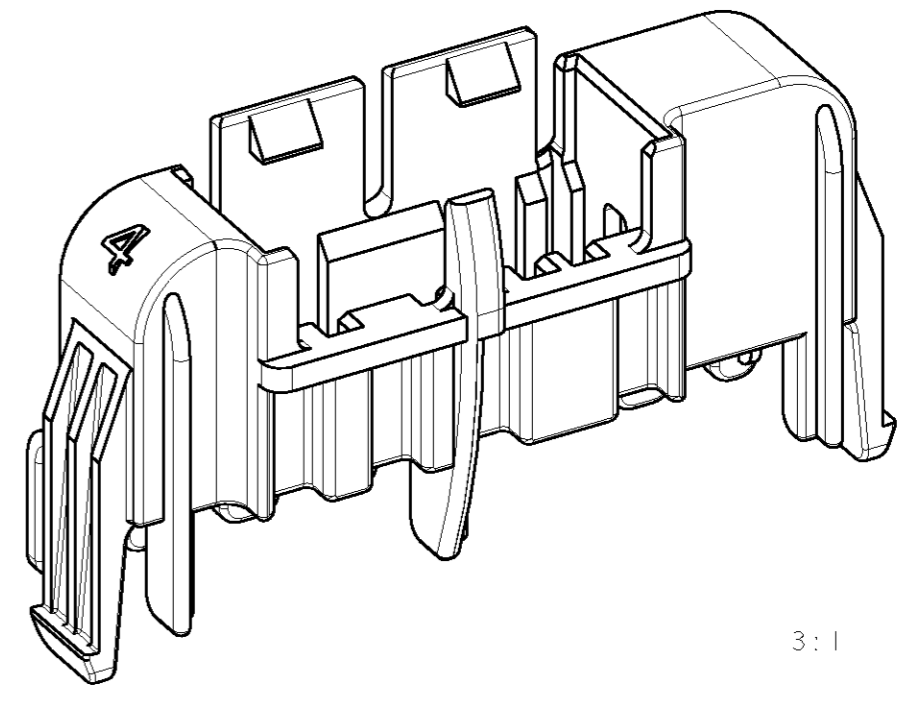
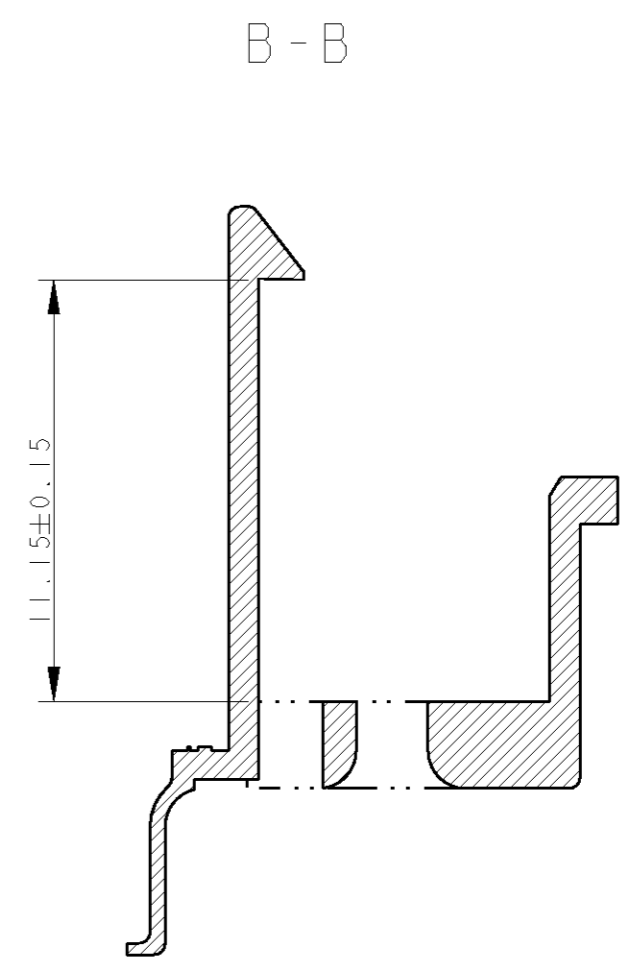
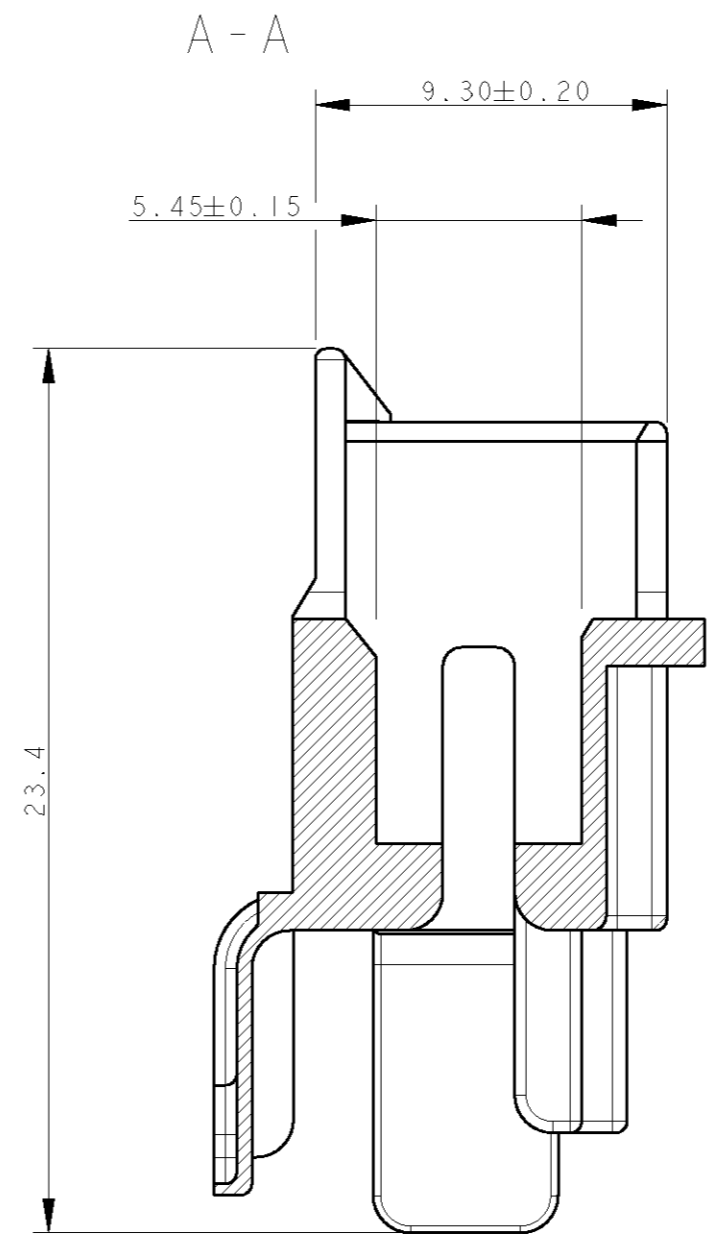
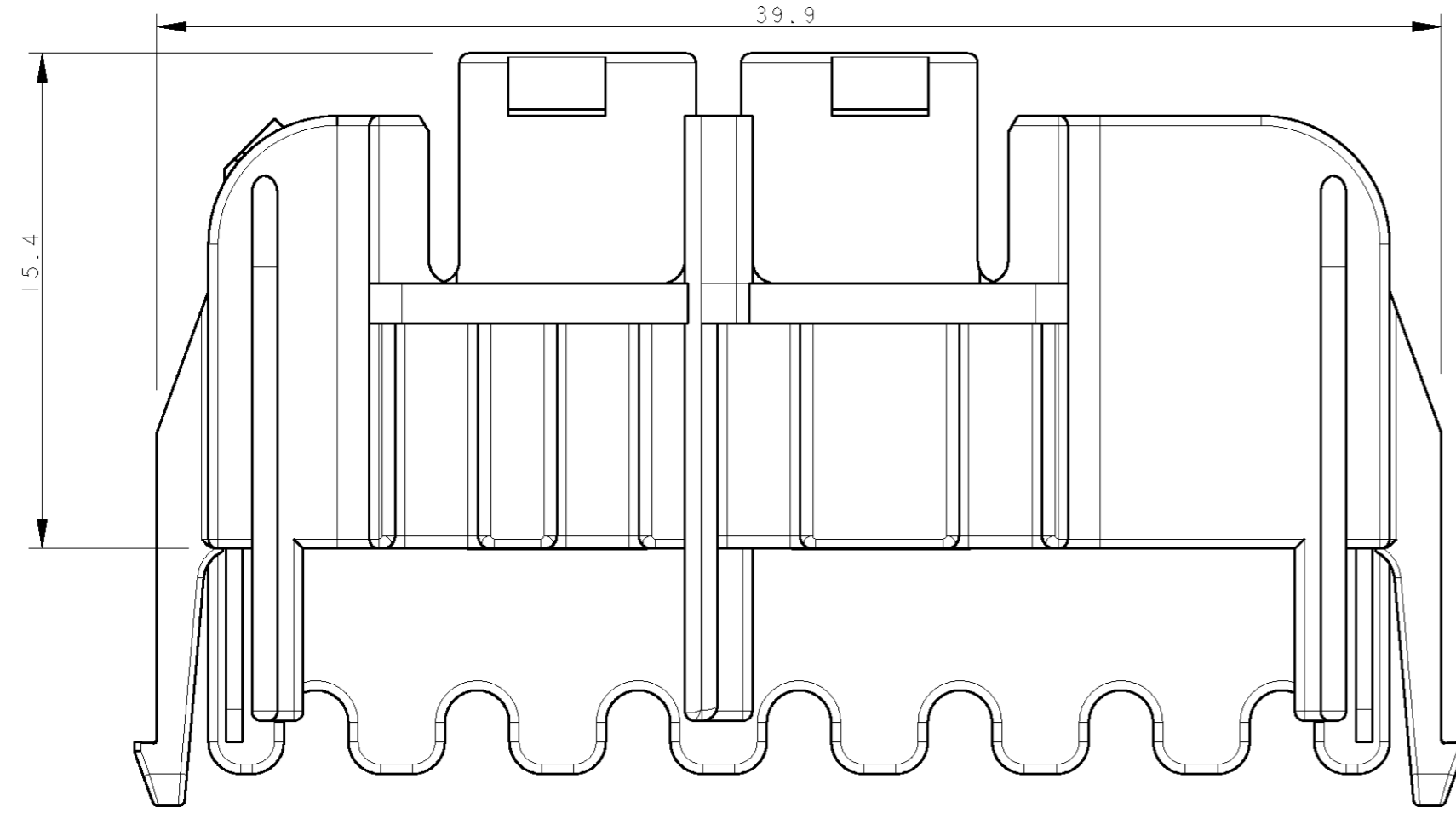
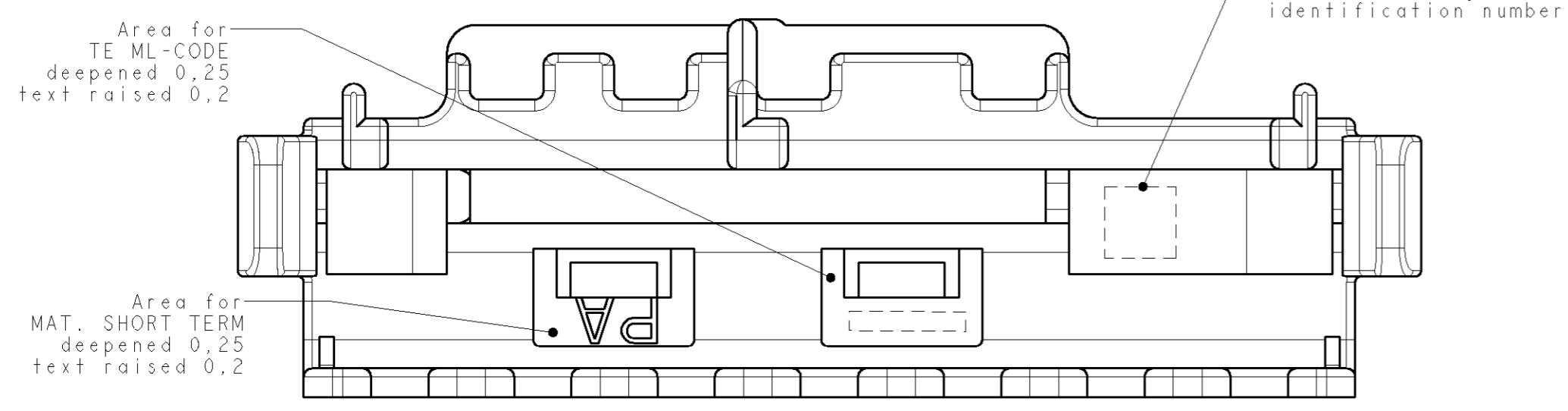


THIS DRAWING IS UNPUBLISHED. RELEASED FOR PUBLICATION 2003
 © COPYRIGHT 2003 BY TYCO ELECTRONICS CORPORATION. ALL RIGHTS RESERVED.

REVISIONS							
LOC	DIST	P	LTR	DESCRIPTION	DATE	DWN	APVD
		0		FIRST EMISSION	21 MAR 2007	HY	GT
		A		RELEASED	20DEC2007	HY	GT
		AI		UPDATED	09APR2008	HY	GT



NATURAL	Schulamid 6GF15FR4KI681/15%GF	A	293289-1
COLOR	MATERIAL	REV.	PART NO

THIS DRAWING IS A CONTROLLED DOCUMENT FOR TYCO ELECTRONICS CORPORATION. IT IS SUBJECT TO CHANGE AND THE CONTROLLING ENGINEERING ORGANIZATION SHOULD BE CONTACTED FOR THE LATEST REVISION.		DWN	H. Yaqili	21MAR2007	AMP Italia S.p.A. C.so F.lli Cervi, 15 COLLEGGNO (TO)
DIMENSIONS: mm		CHK	H. Yaqili	NAME	
TOLERANCES UNLESS OTHERWISE SPECIFIED:		APVD	G. Turco	PRODUCT SPEC	CODING FRAME 2+2 POS.
0 PLC ±		APPLICATION SPEC			
1 PLC ±0.2		WEIGHT		SIZE	RESTRICTED TO
2 PLC ±				A2	
3 PLC ±				CAGE CODE	SCALE 5:1
4 PLC ±				00779	
ANGLES ±°				DRAWING NO	SHEET 1 OF 1
FINISH				G-293289	
MATERIAL				REV	AI