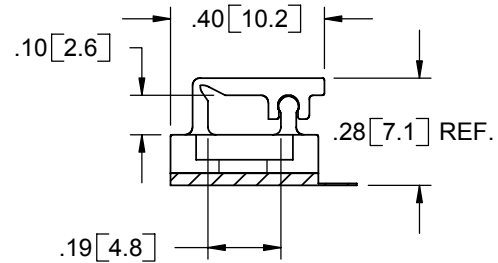
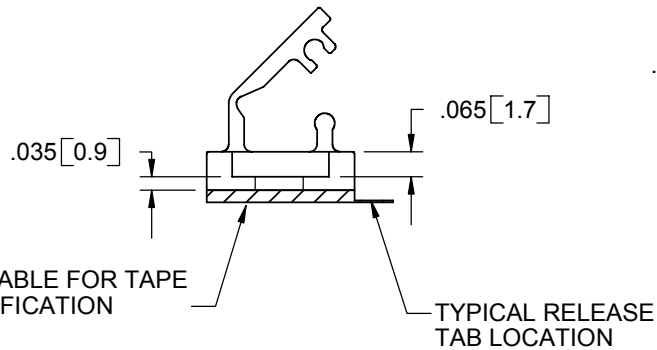
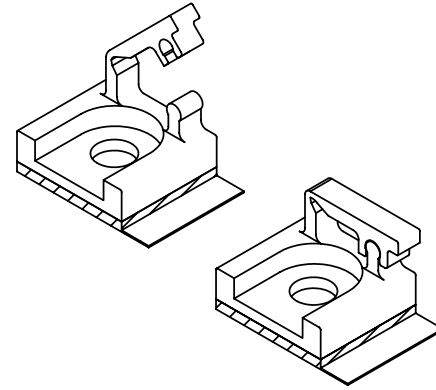
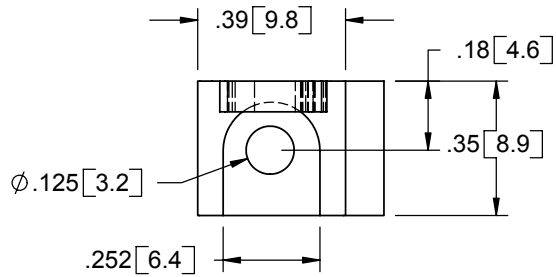


PART NUMBER	MOUNTING
MWSLTB-1-19A-RT	1/32 ACRYLIC ADHESIVE TAPE (RMS-15)
MWSLTB-1-19	#4 SCREW OR SR-30XX SERIES RIVETS



NOTES:  
 1. MATERIAL: FLAME RETARDANT NYLON (RMS-19)  
 2. COLOR: NATURAL

TITLE: MICRO WIRE SADDLE LOCKING TOP ON BASE				DWG IN IN [MM]		FINAL	
CREATED USING SOLIDWORKS	FILE #: MWSLTB	DWN: DLC	APP: DLC				
TOLERANCES UNLESS NOTED XX=±.010 .XXX=±.005 FRAC.=±1/64 ANG.=±1°	SHEET: 1 OF 3	SHEET SIZE: A	DT: 11/11/02	CHKD: FL	PART #		PRINT TYPE
RE: RICHCO, INC.				RICHCO, INC. ENG@RICHCO-INC.COM (773) 539-4060		SEE TABLE	
CA							

REV.	DESCRIPTION	ENGR.	DATE
C	SEE ECN #534 FOR CHANGES	SM	12.16.02
B	ADDED OVERALL HEIGHT DIM .28 [7.1] (ECN #468)	S.M.	09/20/02
A	RELEASED FOR PRODUCTION	S.M.	09/18/02