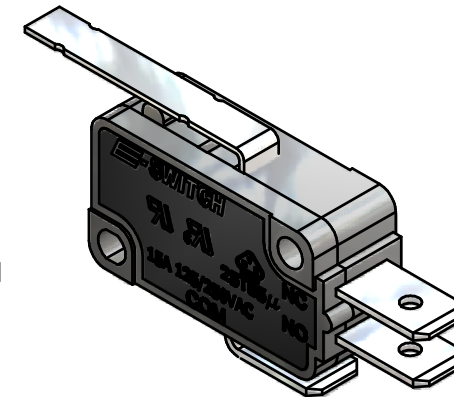
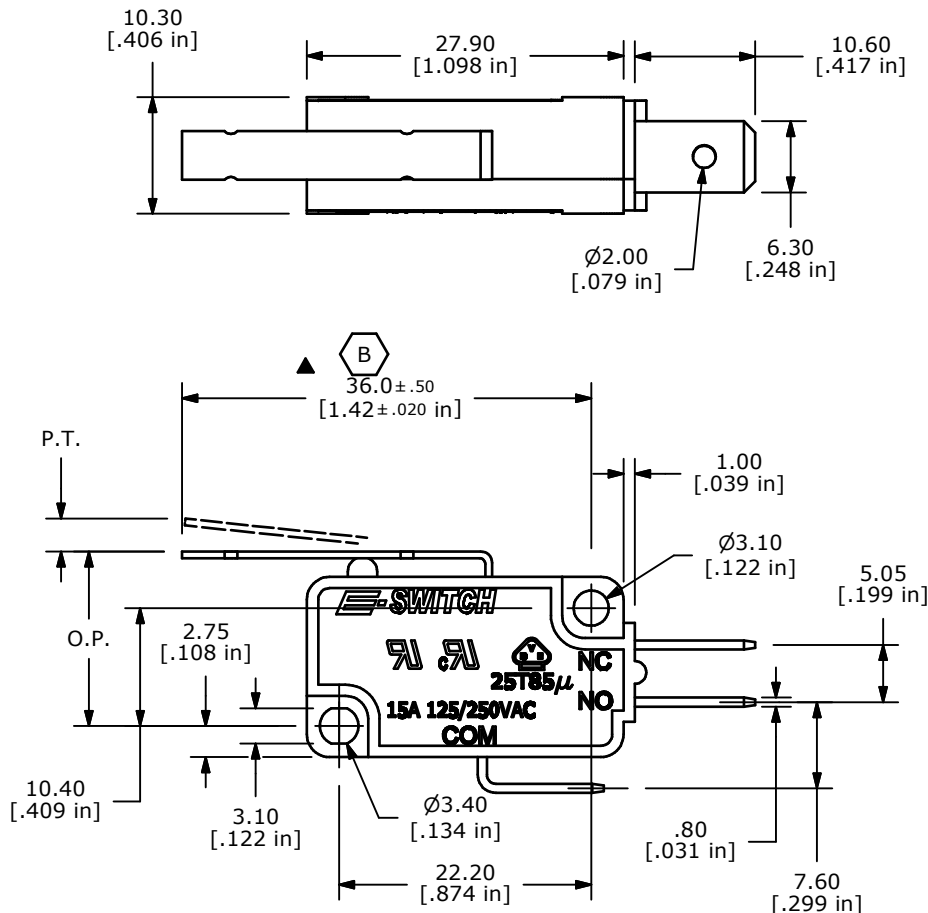
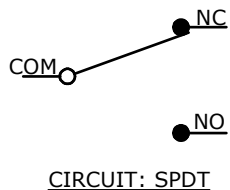


▲ O.P. (MM)	P.T. (MM)
15.5±0.8	4.1 MAX.

O.P. = OPERATING POINT  
P.T. = PRE-TRAVEL



ISOMETRIC

NOTES:

1. ALL DIMENSIONS IN MM [INCH]
2. GENERAL TOLERANCE: X.X=±0.4  
X.XX=±0.25
3. RATING: 15A @125/250VAC
- ▲ 4. OPERATING FORCE: 75 ± 25 GRAMS
5. OPERATING TEMP: -25°C TO 85°C
6. ELECTRICAL LIFE: 50,000 CYCLES MIN.
7. MECHANICAL LIFE: 1,000,000 CYCLES TYP.
8. INSULATION RESISTANCE: 100 MEGA-OHMS MIN.
9. DIELECTRIC STRENGTH: 1500VAC 1 MINUTE (INITIAL VALUE)
10. CONTACT RESISTANCE: 100 MILLI-OHMS MAX.
11. ▲ DENOTES CRITICAL PARAMETER.
12. 2002/95/EC (ROHS) COMPLIANT

TITLE LS0851502F075C2A			
SCALE	DATE	DR	DWG
1.5:1	12/14/2009	BLR	Q950082
REV	BY	REV	BY
B	EBP	B	B
A	BLR	A	A
REV	PCR NO	DESCRIPTION	DATE

THE INFORMATION CONTAINED IN THIS DOCUMENT IS PROPRIETARY TO E-SWITCH AND IS NOT TO BE COPIED OR TRANSFERRED