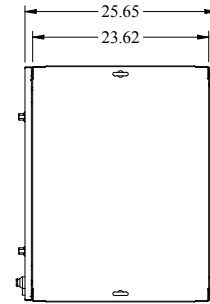
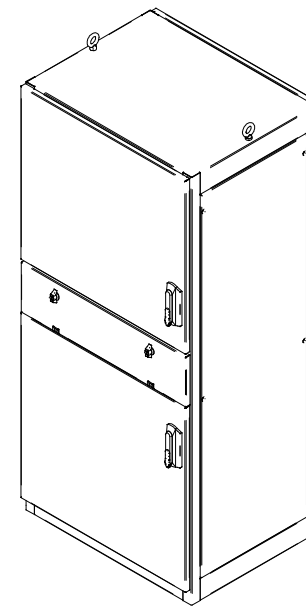
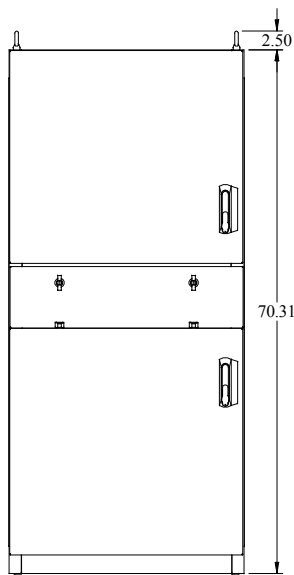




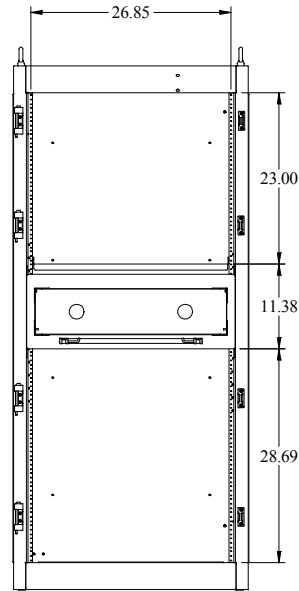
PART No. IPC1686ST
 for more information visit
www.hammondmfg.com
 Data subject to change without notice
 Isometric drawing Not to Scale



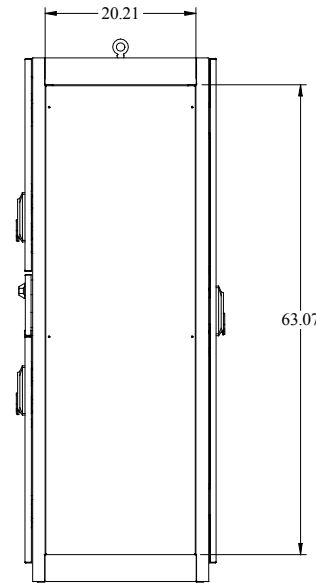
TOP VIEW



FRONT VIEW



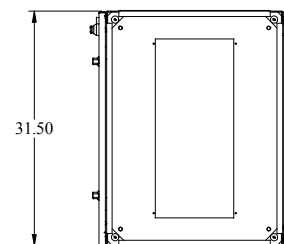
FRONT DOORS REMOVED



LEFT SIDE VIEW



REAR VIEW



BOTTOM VIEW