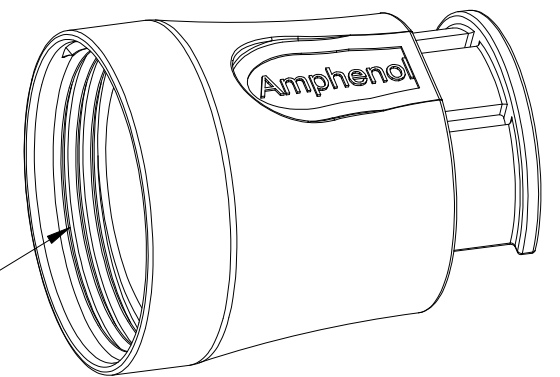
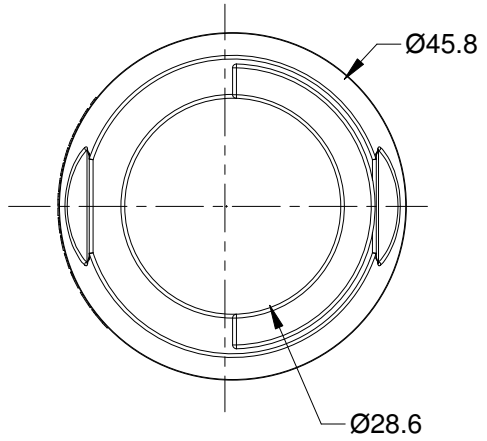
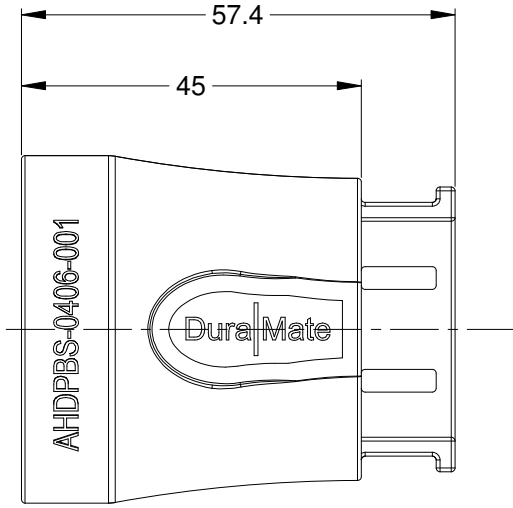


REVISIONS					
REV	ECO	DESCRIPTION	DATE	BY	APPR
A1		RELEASE NEW PRODUCT	16JUN15	ORION	TOMMY
A2		ADD PART NUMBER ON BACKSHELL	07NOV15	ORION	TOMMY



1 11/16-12 UN THREAD

NOTES: UNLESS OTHERWISE SPECIFIED

1. MATERIAL: THERMOPLASTIC
2. COLORS: BLACK
3. RoHS COMPLIANT
4. USE WITH AHDP SERIES WTA MODIFICATION
5. ALL DIMENSIONS ARE FOR REFERENCE USE ONLY.

AHDPBS-0406-001					
PART NUMBER		DESCRIPTION			ITEM
QUANTITY	MATERIALS LIST				
<small>UNLESS OTHERWISE SPECIFIED</small> 1) All dimensions are in metric(mm). 2) Tolerances are as follows: 1 PL DEC ±0.30 Fractions ±1/64 2 PL DEC ±0.15 Angles ±1° 3 PL DEC ±0.08 3) Note reference =		SIGNATURES		DATE	
MATERIAL SPECIFICATIONS:		DRAWN: ORION.LI		16JUN15	
PROCESS SPECIFICATIONS:		CHECKED:			
NEXT ASS'Y:		ENGINEER:			
		APPROVAL: TOMMY.XIE		16JUN15	
		CUSTOMER:			
		THIS DRAWING IS SUPPLIED FOR INFORMATION ONLY. DESIGN FEATURES, SPECIFICATIONS AND PERFORMANCE DATA SHOWN HEREON ARE THE PROPERTY OF THE AMPHENOL CORPORATION. NO RIGHTS OF REPRODUCTION ARE IMPLIED. ALL DIMENSIONS ARE SUBJECT TO NORMAL MANUFACTURING VARIATIONS.			
		SIZE	TYPE	DWG NO:	REVISION
		A	C-	AHDPBS-0406-001	A2
		SCALE: NONE	SHEET 1 OF 1		

Amphenol

Sine Systems - www.amphenol-sine.com
 44724 Morley Drive
 Clinton Township, MI 48036

BACKSEHELL, AHDP SERIES, SIZE 24,WTA