

- ① HOUSING MATERIAL: LIQUID CRYSTAL POLYMER PER ASTM DS138 LCP000 G30A 32250, COLOR: NATURAL.
- ② CONTACT MATERIAL: PHOSPHOR BRONZE.
- ③ CONTACT FINISH:  
 UNDERPLATE (ENTIRE CONTACT):  
 0.00127 MIN NICKEL  
 ON MATING SURFACES:  
 CONFORMS TO ALL TESTING SPECIFIED FOR TELCORDIA UNCONTROLLED ENVIRONMENT.  
 ON LEADS:  
 0.0006 MIN MATTE TIN OVER UNDERPLATE.  
 LUBRICATION (MIN MATING SURFACES):  
 SURFACE CONDITIONER AFTER PLATING.
- ④ PART MARKING, LOCATED APPROXIMATELY AS SHOWN.
- ⑤ DIMENSION APPLIES WHEN SEATED ON PRINTED CIRCUIT BOARD.

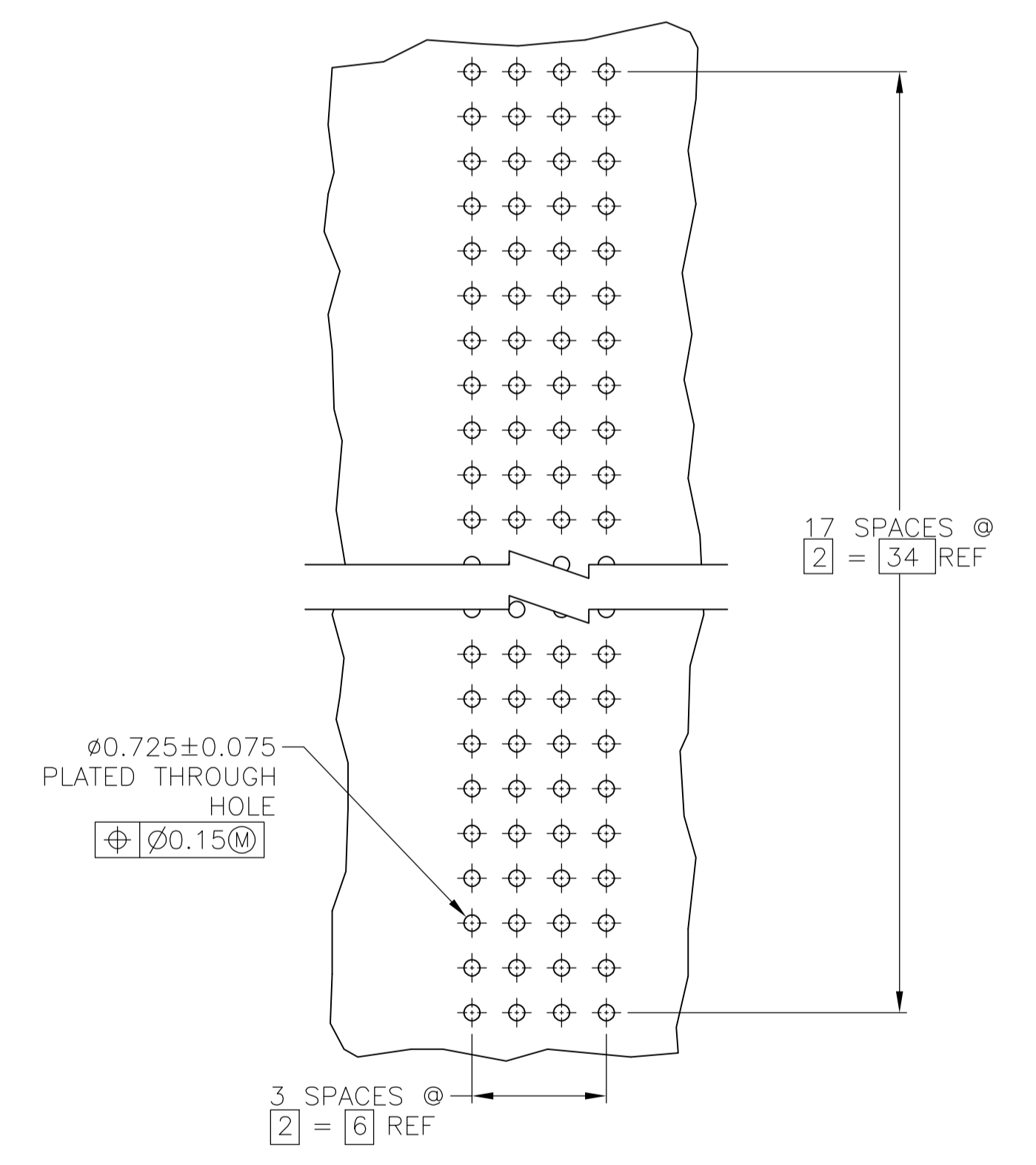
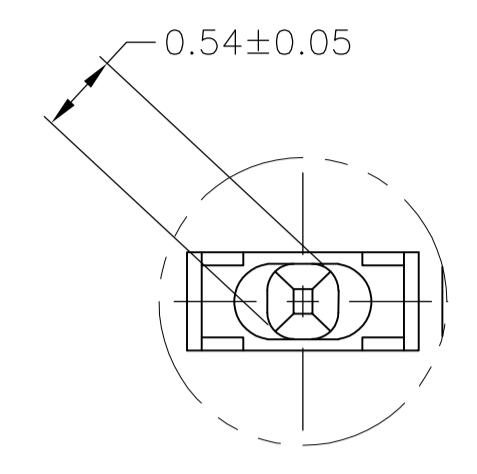
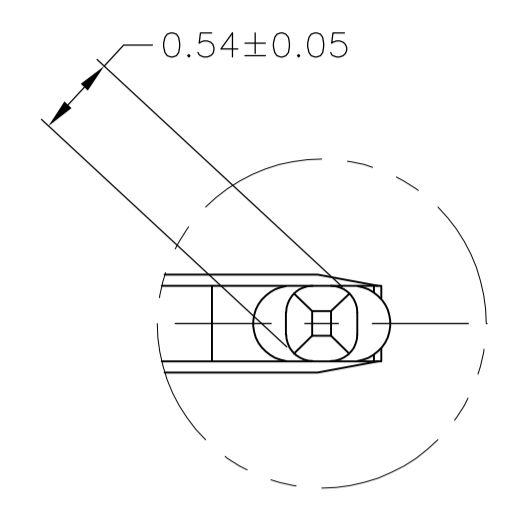
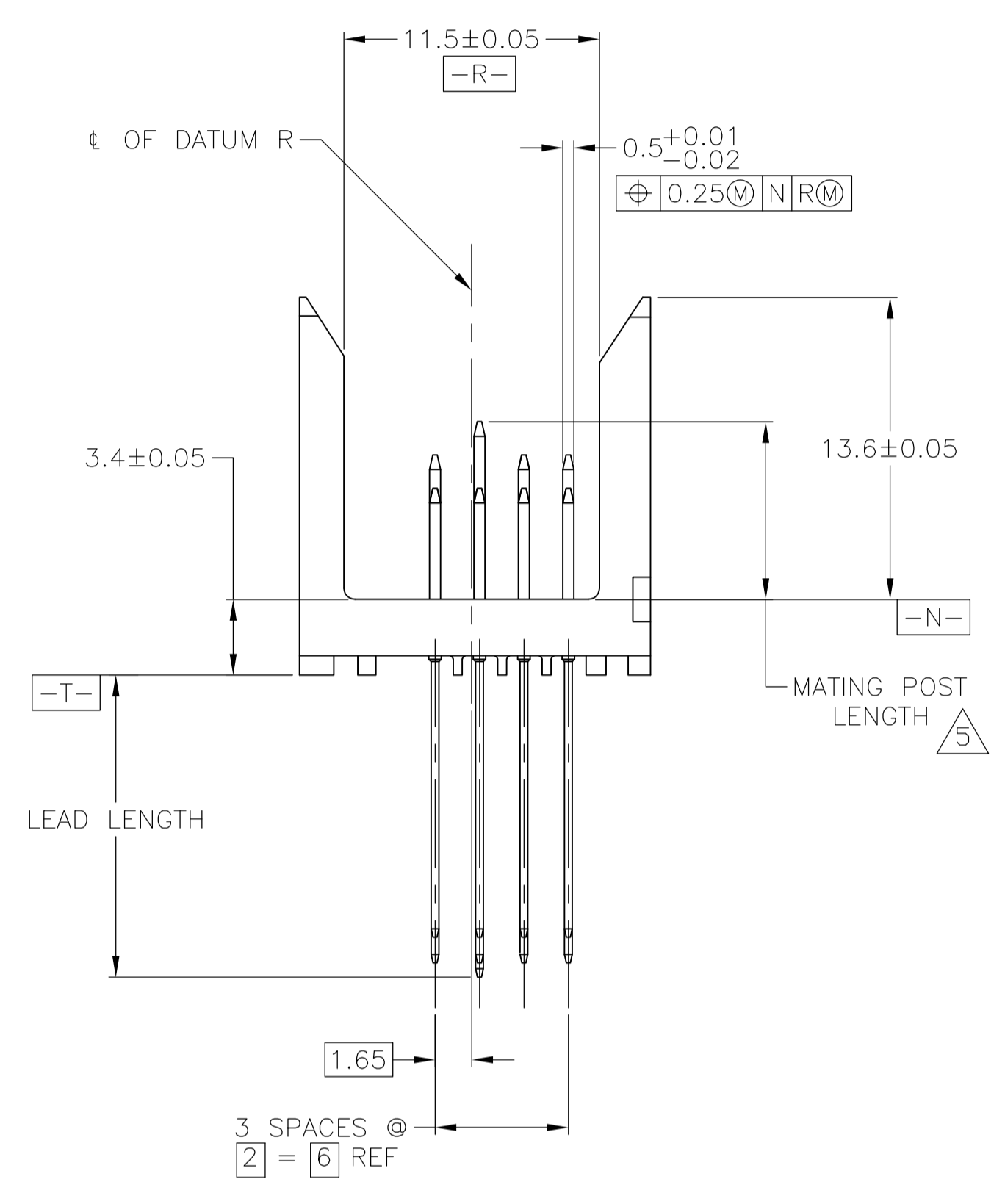
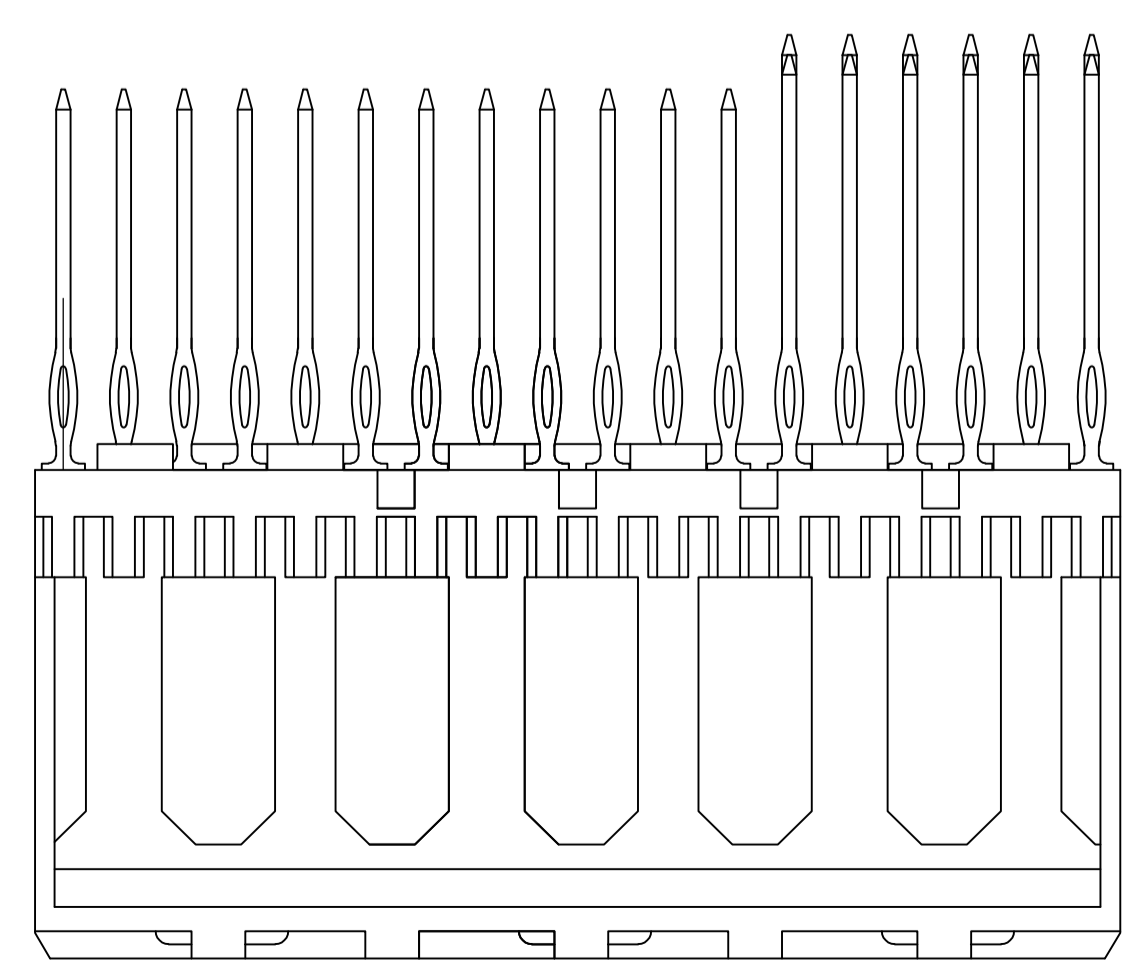
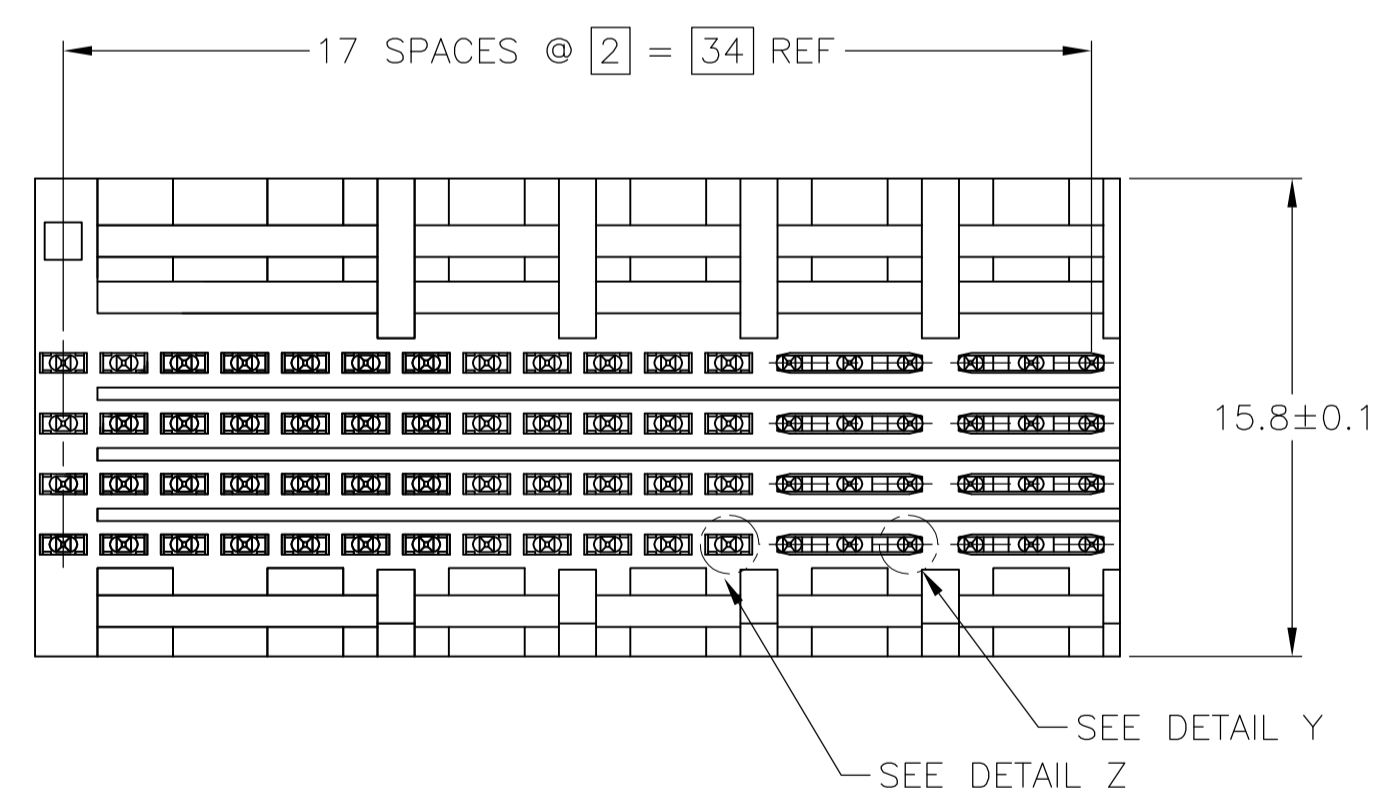
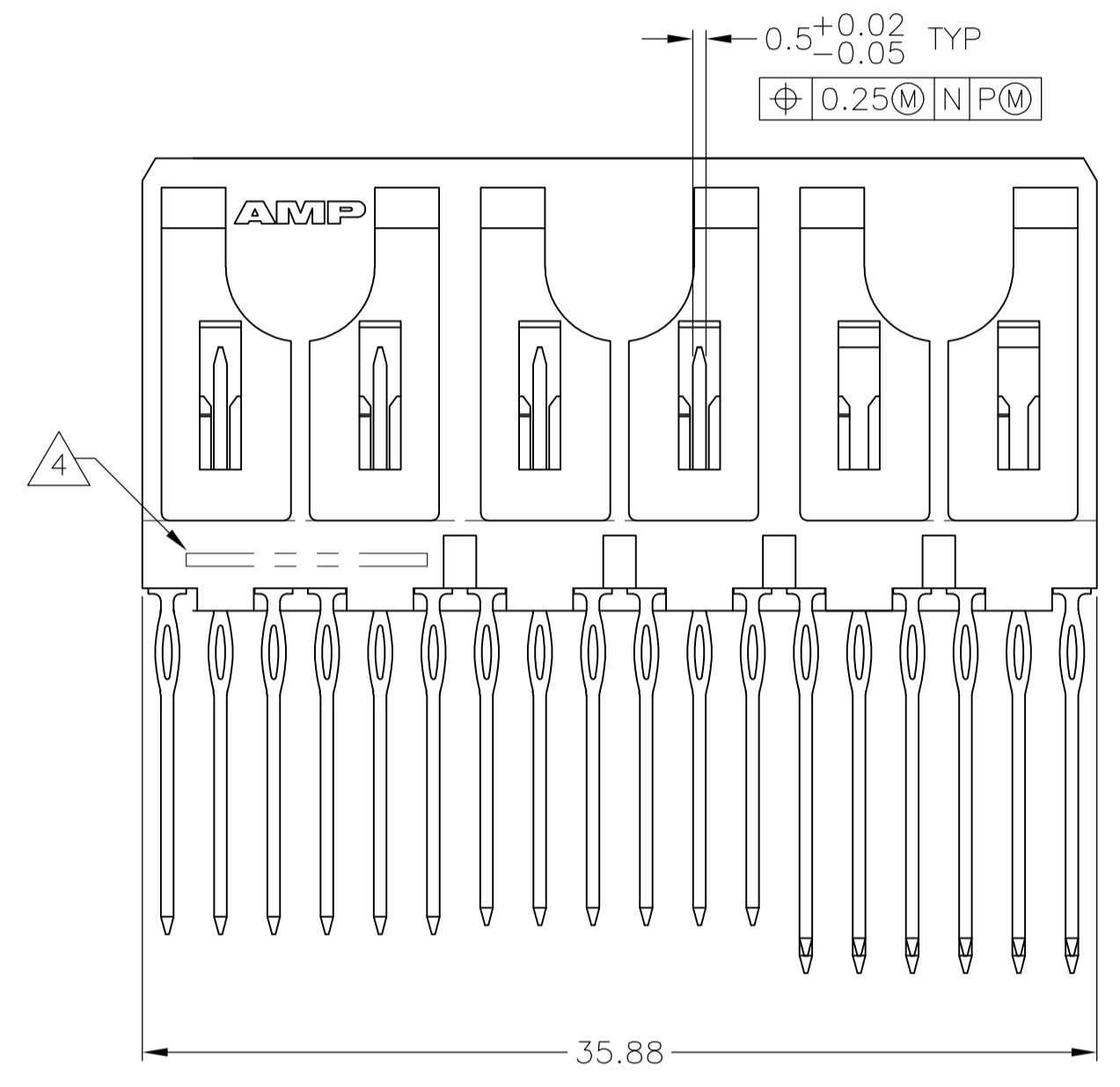
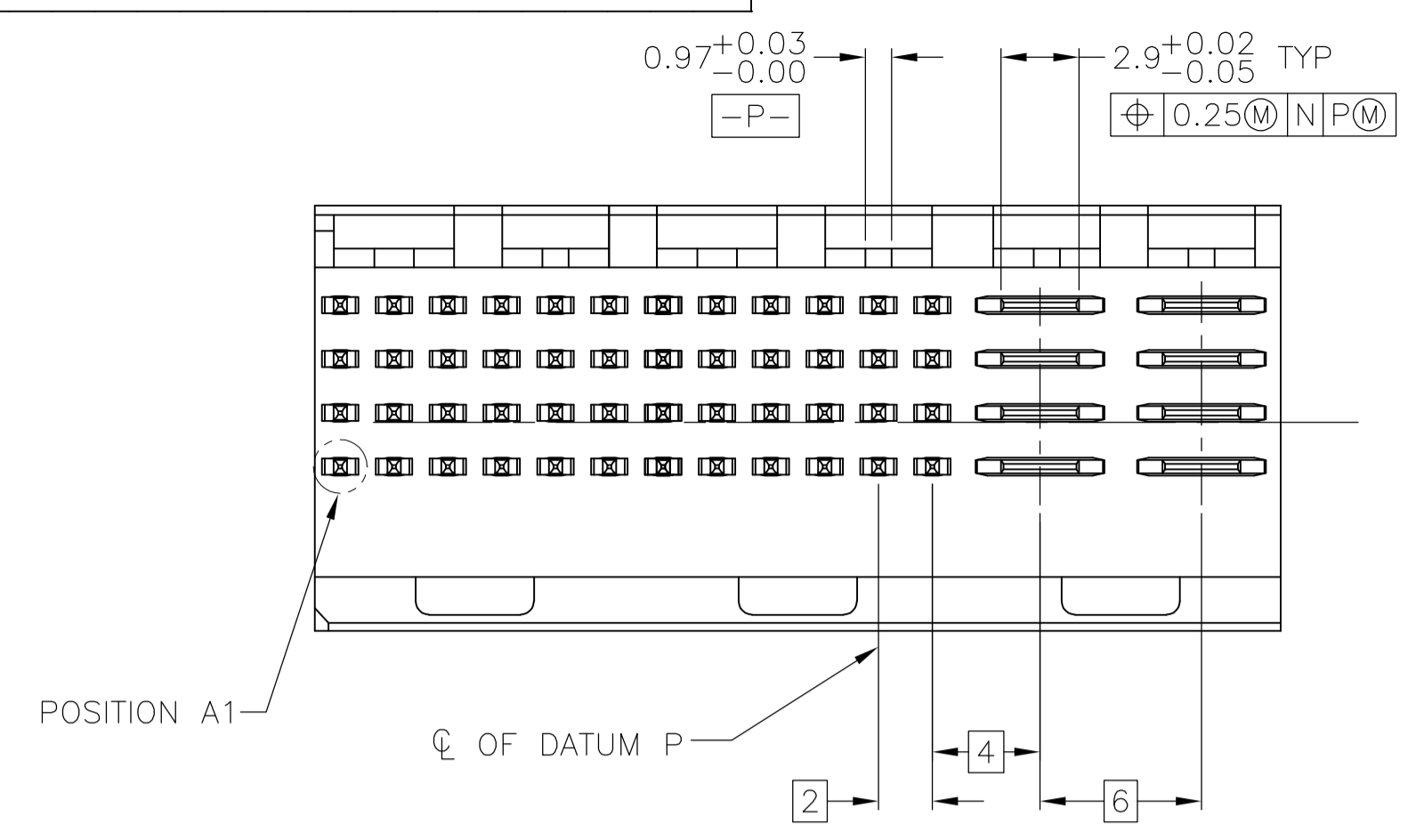
CODE LETTER	⑤ MATING POST LENGTH ±0.10	LEAD LENGTH REF
B	5	11.80
AF	6.5	12.95
AE	8	13.60

ROW	D	B	B	B	B	B	B	B	B	B	B	B	B	B	AF	AF
	C	B	B	B	B	B	B	B	B	B	B	B	B	B	AF	AF
	B	B	B	B	B	B	B	B	B	B	B	B	B	B	AE	AE
	A	B	B	B	B	B	B	B	B	B	B	B	B	B	AF	AF
		1	2	3	4	5	6	7	8	9	10	11	12	13	14	
		POSITION														

SEQUENCE FOR 5223165-1

THIS DRAWING IS A CONTROLLED DOCUMENT.		DIN D. HUMBERT 28SEPT2007	Tyco Electronics Corporation Harrisburg, PA, 17105-3608	
DIMENSIONS: MM		CHK A. SHARPE 20AUG2007	NAME A. SHARPE 20AUG2007	
TOLERANCES UNLESS OTHERWISE SPECIFIED: 0. PLC ± - 1. PLC ± - 2. PLC ± 0.13 3. PLC ± - 4. PLC ± - ANGLES ± -		PRODUCT SPEC APPLICATION SPEC		RESTRICTED TO
MATERIAL		FINISH	SIZE A1	CAGE CODE 00779
① ②		③	DRAWING NO 5223165	
CUSTOMER DRAWING		SCALE 4:1	SHEET 1 OF 2	REV B

LOC		DIST		REVISIONS				
P	LTR	DATE	DNW	APVD	DESCRIPTION	DATE	DNW	APVD
AD	00				SEE SHEET 1			



RECOMMENDED CIRCUIT PATTERN  
 PER IPC-D300 TYPE II, CLASS C  
 (COMPONENT SIDE)

3	48	8	5223165-1
FINISH	NO OF SIGNAL POSN	NO OF POWER POSN	PART NUMBER

THIS DRAWING IS A CONTROLLED DOCUMENT.		DIN D. HUMBERT 28SEP2007		Tyco Electronics Corporation	
DIMENSIONS: 1/16		CIRK A. SHARPE 20AUG2007		Tyco Electronics Corporation Harrisburg, PA, 17105-3608	
TOLERANCES UNLESS OTHERWISE SPECIFIED:		APVD A. SHARPE 20AUG2007		NAME	
0. PLC ± -		PRODUCT SPEC		PIN ASSEMBLY, SIGNAL/POWER MIX, Z-PACK 2mm FB, PRESS FIT, 48 SIGNAL - 8 POWER	
1. PLC ± 0.13		APPLICATION SPEC		SIZE	
2. PLC ± -		WEIGHT		CAGE CODE DRAWING NO	
3. PLC ± -		CUSTOMER DRAWING		A1 00779 C=5223165	
4. PLC ± -		SCALE 4:1		SHEET 2 OF 2	
ANGLES ± -		REV B			