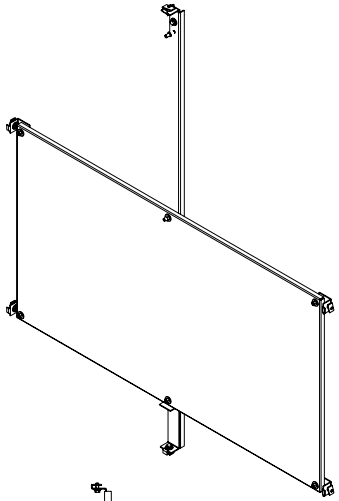


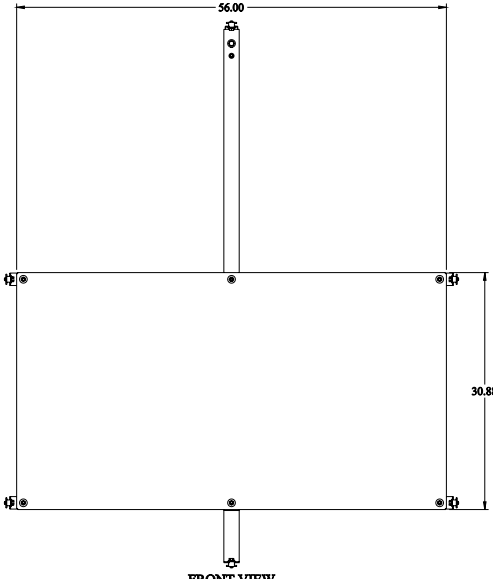
 **PART No. 72ZXHWG**
for more information visit
www.hammfg.com
Data subject to change without notice
Isometric drawing Not to Scale



ISOMETRIC VIEW



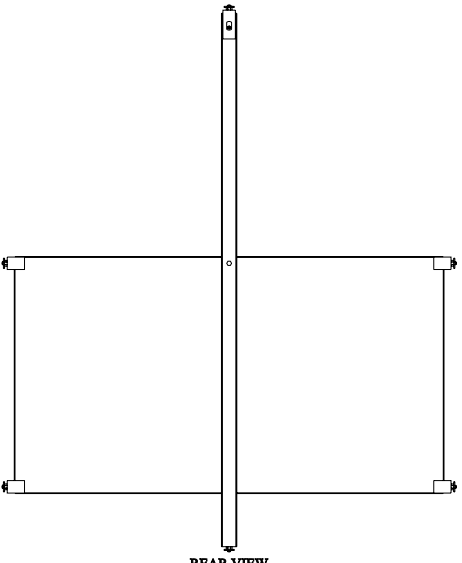
TOP VIEW



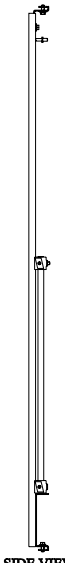
FRONT VIEW



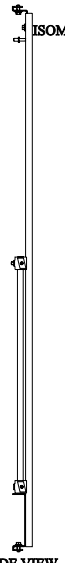
BOTTOM VIEW



REAR VIEW



SIDE VIEW



SIDE VIEW