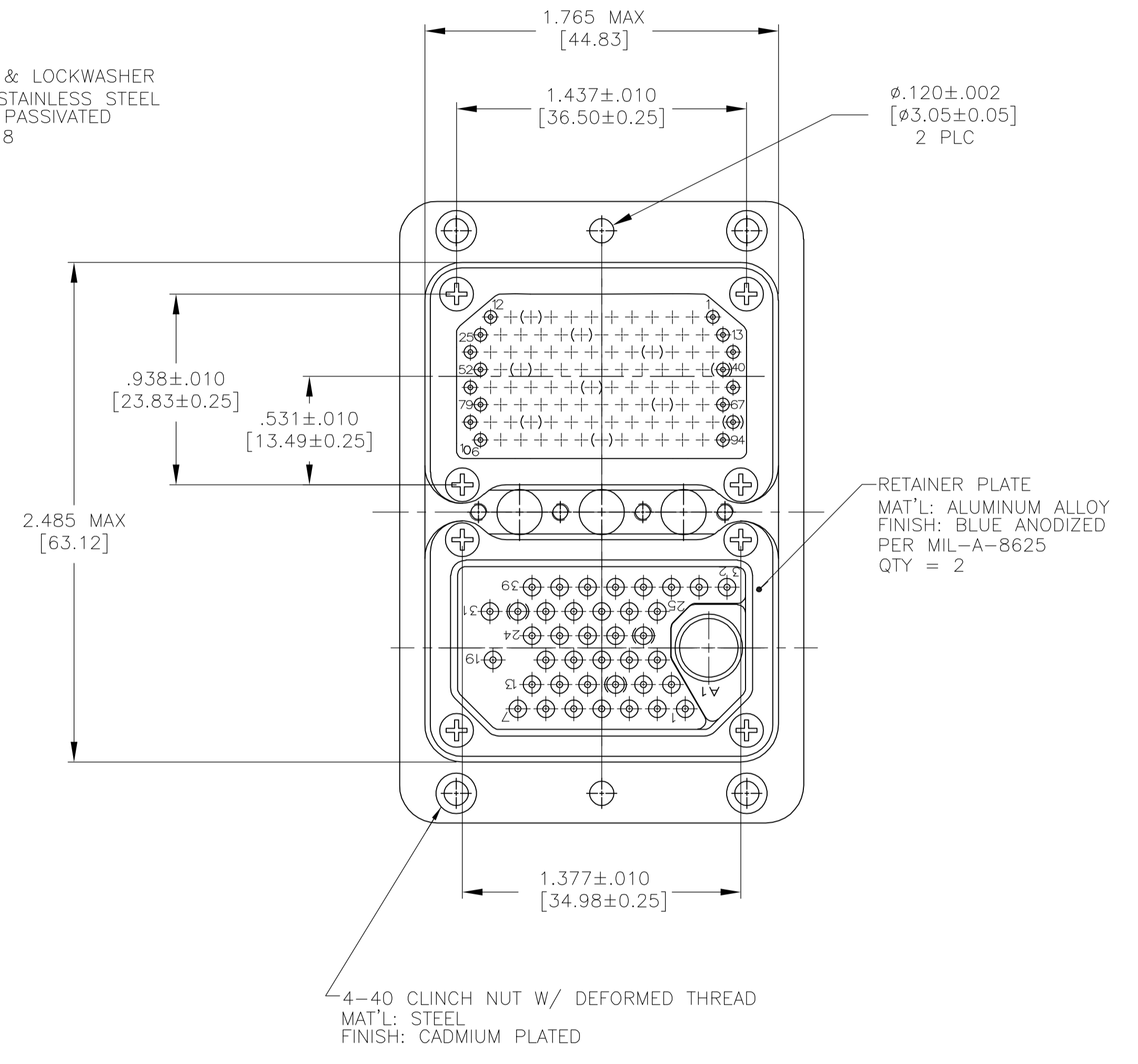
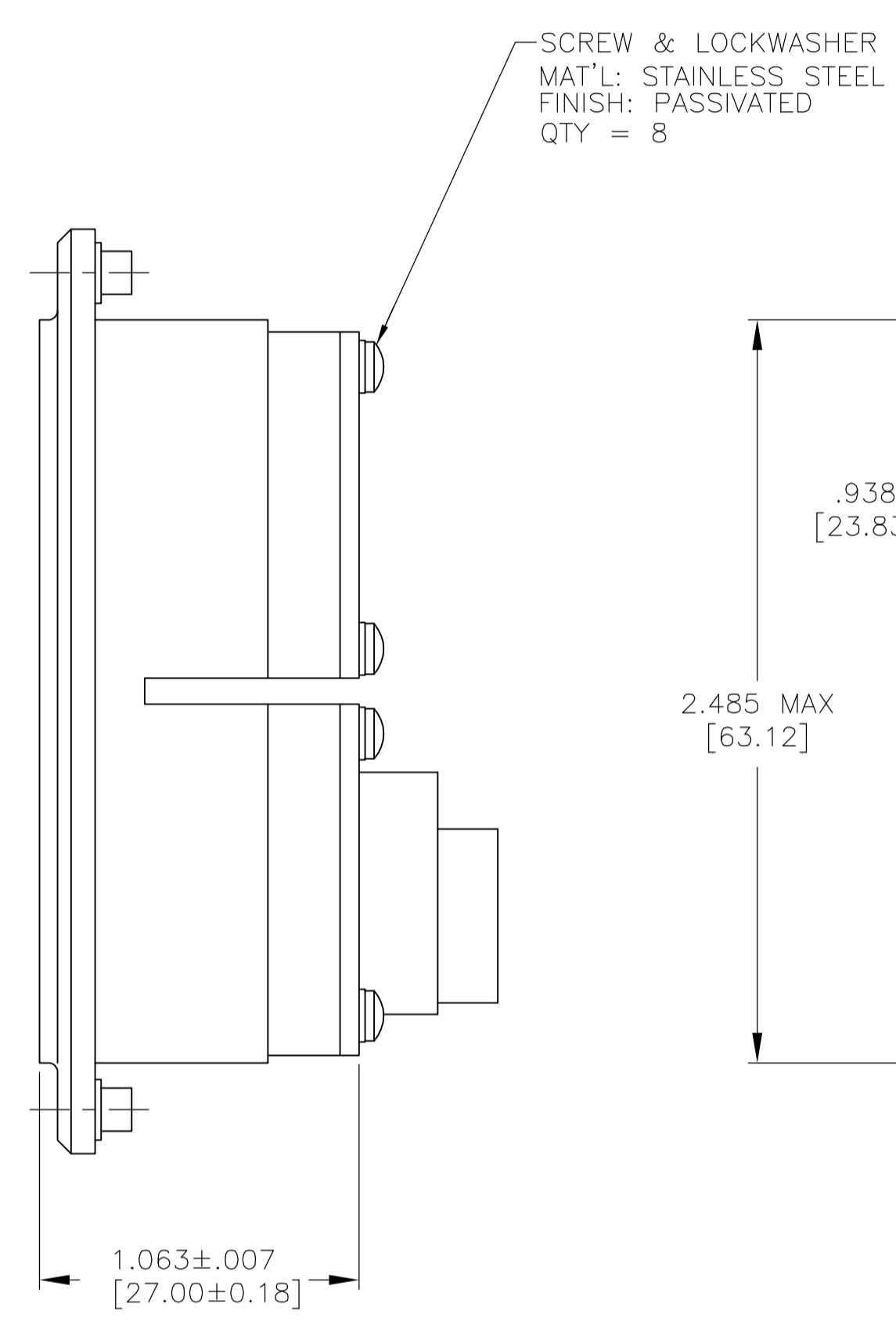
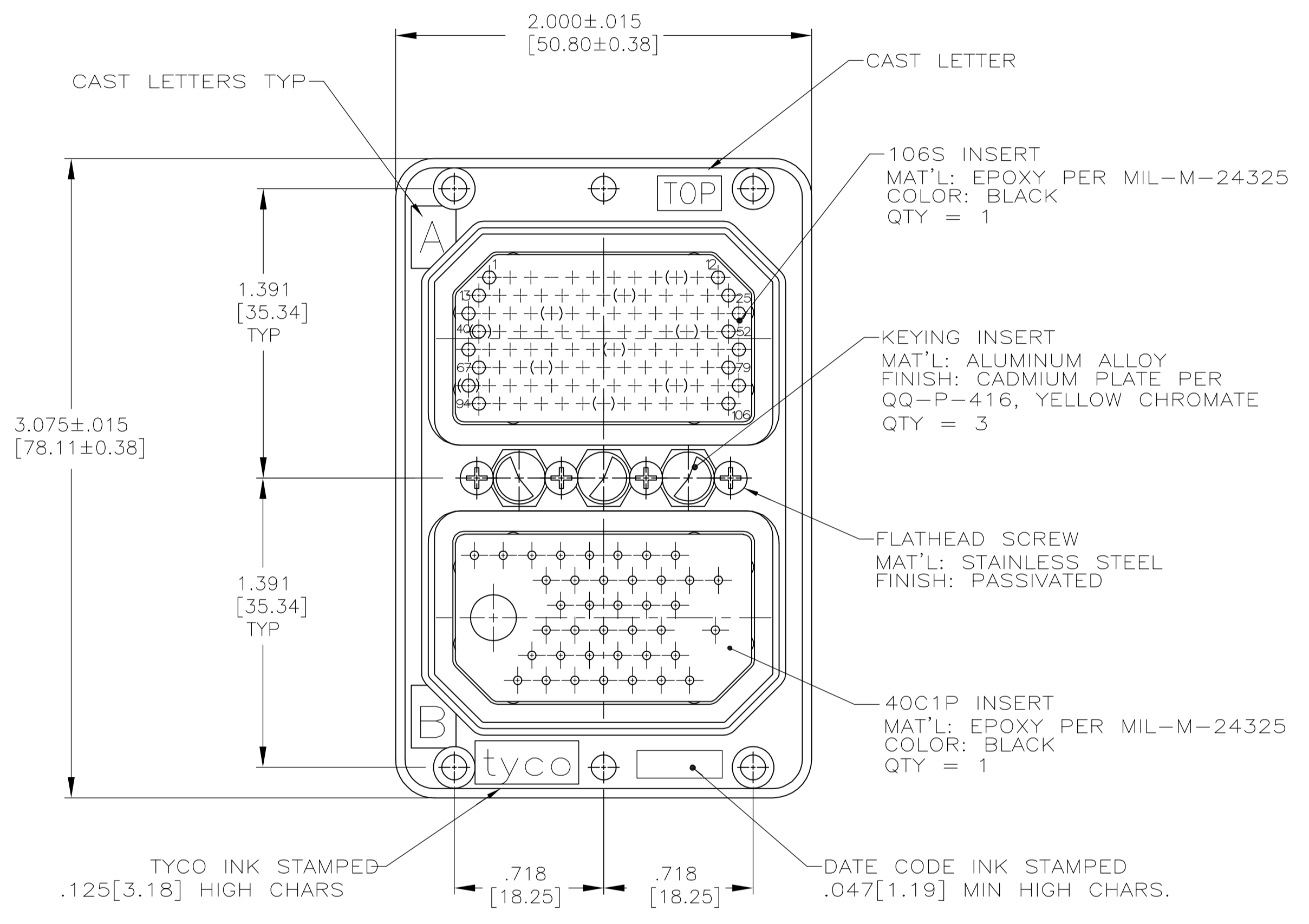
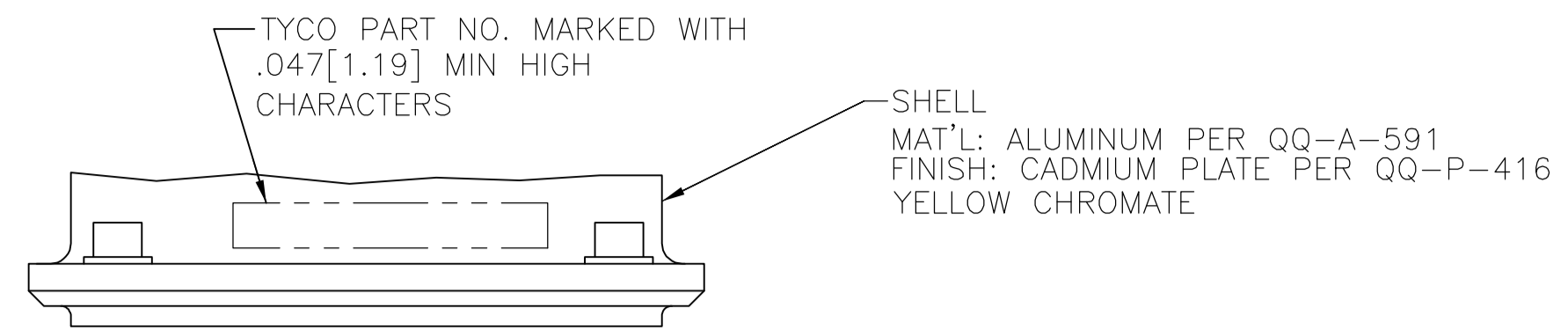


LOC		DIST		REVISIONS			
P	LTR	DESCRIPTION	DATE	DNW	APVD		
A		REV PER ECO 06-14919	6-23-06	CT	DE		



- CONTACTS ARE SHIPPED UNASSEMBLED WITH CONNECTOR.
- KEYING INSTALLED IN POSITION "44".

1757337-1
PART NUMBER

THIS DRAWING IS A CONTROLLED DOCUMENT.		DIN C.C.THOMAS 18JAN05	tyco Tyco Electronics Corporation
DIMENSIONS: INCHES [mm]		CHK LARRY OH 1-18-05	Harrisburg, Pa 17105-3608
TOLERANCES UNLESS OTHERWISE SPECIFIED:		APVD LARRY OH 1-18-05	NAME
0 PLC ± -			RECEPTACLE ASSEMBLY, ARINC 404
1 PLC ± -			RM2R106S40C1P-0144 (200)
2 PLC ± -			PRODUCT SPEC
3 PLC ± -			APPLICATION SPEC
4 PLC ± -			
ANGLES ± -			
MATERIAL SEE CALLOUTS	FINISH SEE CALLOUTS	WEIGHT -	SIZE CAGE CODE DRAWING NO RESTRICTED TO
			A1 00779 C=1757337 -
CUSTOMER DRAWING		SCALE 2:1	SHEET 1 OF 1 REV A