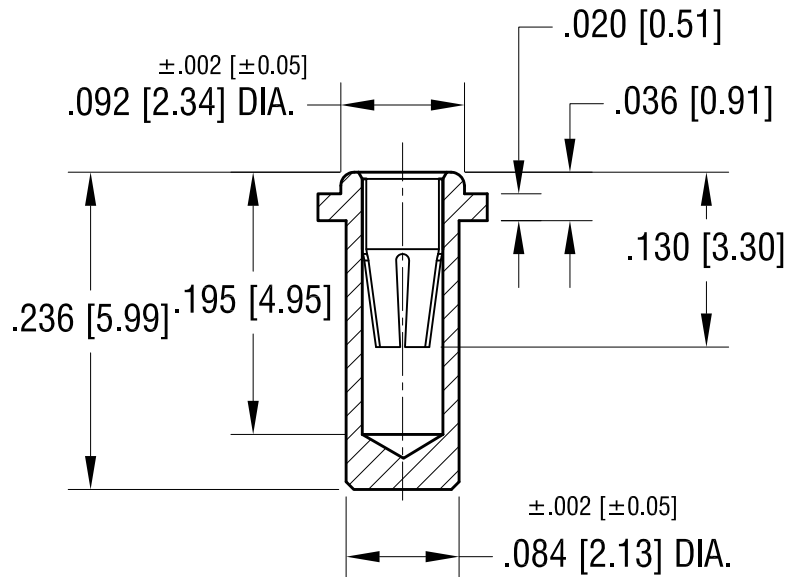
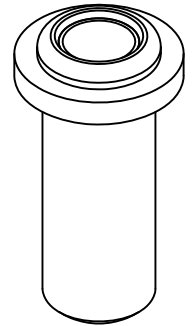
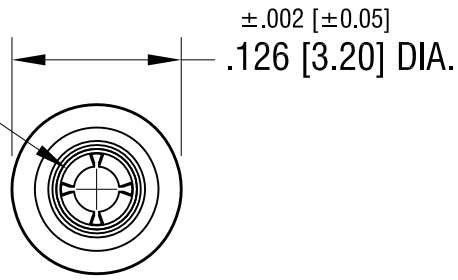


THIS DOCUMENT IS THE PROPERTY OF  
KEYSTONE ELECTRONICS CORP. AND  
SHALL NOT BE REPRODUCED, DISTRIBUTED  
OR USED AS A BASIS FOR MANUFACTURE  
WITHOUT PRIOR WRITTEN PERMISSION  
FROM KEYSTONE ELECTRONICS CORP.

4-FINGERS CLOSED  
ENTRY CONTACT FOR  
.032 [0.81] - .046 [1.17]  
DIAMETER PIN.



NOTES:

1. SPRING CONTACT:  
MAT'L - BERYLLIUM COPPER  
FINISH - TIN/LEAD PLATE  
  
BODY:  
MAT'L - BRASS  
FINISH - TIN/LEAD PLATE
2. MOUNTING HOLE DIA.: .087 [2.21]

<b>KEYSTONE ELECTRONICS CORP.</b>			
www.keyelco.com • ASTORIA, N.Y. 11105-2017 • Tel (718) 956-8900			
PART NAME			
MICRO JACK, SOLDER MOUNT			
MATERIAL			
AS NOTED			
FINISH		DRN BY	DATE
AS NOTED		BOONE	2.26.07
		APP'D	SCALE
		LN	7X
TOLERANCES	INCH [MM]	CODE	DWG NO.
DECIMAL	± .005 [± 0.13]	C/M	<b>1675</b>
ANGULAR	± 1°		
UNLESS OTHERWISE SPECIFIED			

4.11.11	CHANGE AS PER ECN 11-047	A
DATE	DESCRIPTION	REV.