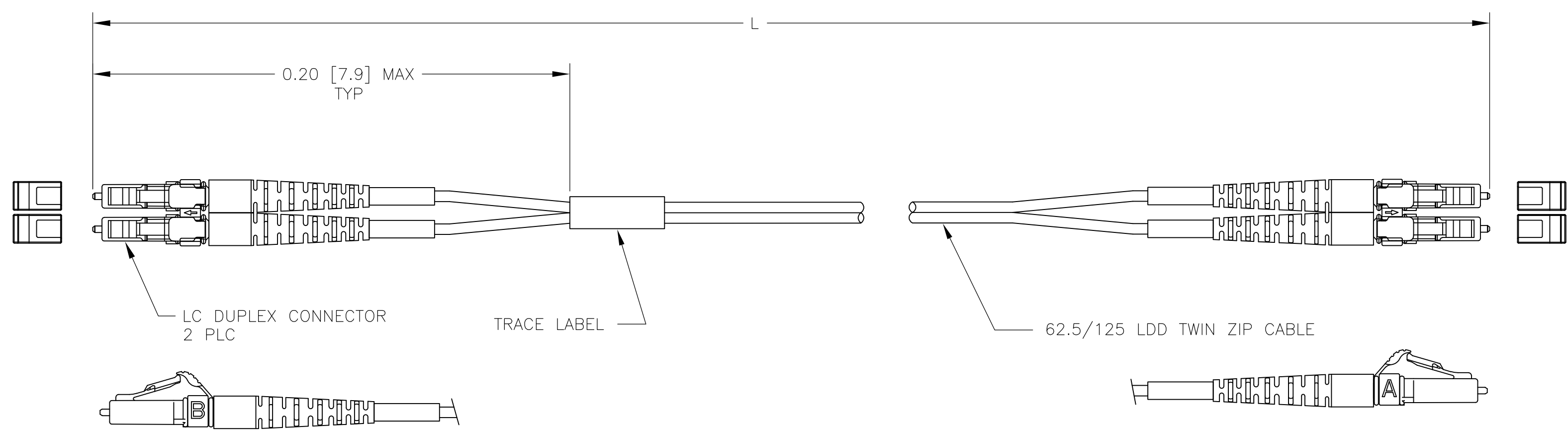


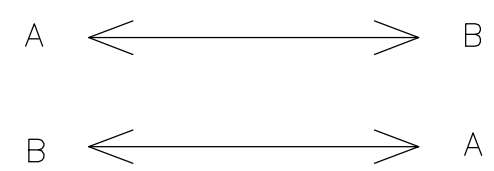
THIS DRAWING IS UNPUBLISHED. RELEASED FOR PUBLICATION
 © COPYRIGHT - By - ALL RIGHTS RESERVED.

LOC		DIST		REVISIONS			
P	LTR	DESCRIPTION	DATE	DWN	APVD		
CE	16	E	ECR-14-019320	02MAR2015	BB	JO	

1. MAXIMUM INSERTION LOSS IS 0.2 dB PLUS CABLE ATTENUATION OF 1.5 dB/km AT 1300nm. (SEE TABLE)
2. DIMENSIONS IN [] ARE IN INCHES.
3. PRODUCT AND PROCESSING MUST MEET REQUIREMENTS OF TEC-138-702



0.20	3.50±0.05	[137.8±2.0]	9-6374659-3
0.28	50.00±0.50	[1968.50±19.68]	5-6374659-0
0.65	300.00±3.00	[11811.0±118.0]	9-6374659-9
0.35	100.00±1.00	[3937.0±39.0]	9-6374659-8
0.20	0.50±0.03	[19.68±1.18]	9-6374659-7
0.25	36.00±0.36	[1417.3±14.2]	9-6374659-2
0.24	27.00±0.30	[1063.0±12.0]	9-6374659-1
0.25	30.00±0.30	[1181.1±12.0]	3-6374659-0
0.24	25.00±0.30	[984.0±12.0]	2-6374659-5
0.23	20.00±0.30	[787.0±12.0]	2-6374659-0
0.22	15.00±0.15	[590.6±6.0]	1-6374659-5
0.22	12.00±0.15	[472.4±6.0]	1-6374659-2
0.21	10.00±0.15	[393.7±6.0]	1-6374659-0
0.21	8.00±0.15	[315.0±6.0]	6374659-8
0.31	76.2±0.76	[3000.0±30.0]	6374659-7
0.20	1.50±0.05	[59.5±2.0]	6374659-6
0.20	5.00±0.08	[196.9±3.0]	6374659-5
0.20	3.00±0.05	[118.1±2.0]	6374659-3
0.20	2.00±0.05	[78.7±2.0]	6374659-2
0.20	1.00±0.05	[39.4±2.0]	6374659-1
1 MAX IL (dB)	L		PART NUMBER



THIS DRAWING IS A CONTROLLED DOCUMENT.

DWN	C.S.VASU	22AUG05	 TE Connectivity
CHK	J.DUNCAN	22AUG05	
APVD	J.DUNCAN	22AUG05	
DIMENSIONS: METERS [INCHES]			NAME
TOLERANCES UNLESS OTHERWISE SPECIFIED:			PRODUCT SPEC
0 PLC	± -		APPLICATION SPEC
1 PLC	± -		
2 PLC	± -		
3 PLC	± -		
4 PLC	± -		
ANGLES	± -		
FINISH	-		
MATERIAL	-	WEIGHT	
CUSTOMER DRAWING			SCALE
N/A			SHEET
1 of 1			REV
E			