

HALOGEN FREE

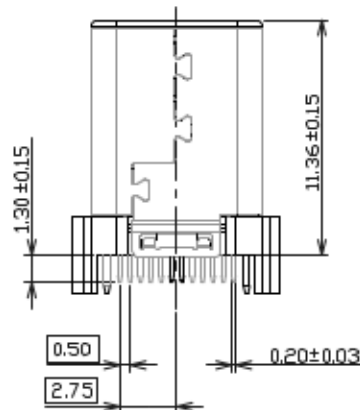
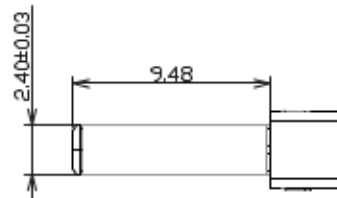
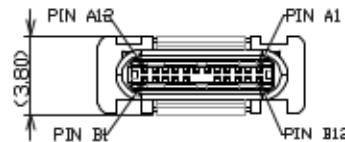
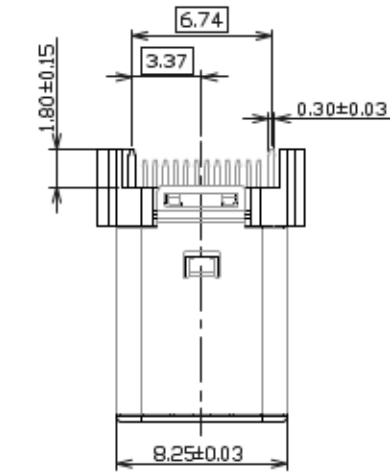


TABLE B : PIN ASSIGNMENT

PIN NO	A12	A11	A10	A9	A8	A7	A6	A5	A4	A3	A2	A1
SIGNAL NAME	GND	SSRXp2	SSRXn2	VBUS	SBU1	Dn1	Dp1	CC1	VBUS	SSTXn1	SSTXp1	GND
PIN NO	B1	B2	B3	B4	B5	B6	B7	B8	B9	B10	B11	B12
SIGNAL NAME	GND	SSTXp2	SSTXn2	VBUS	CC2			SUB2	VBUS	SSRXn1	SSRXp1	GND

REV.	ECH	DESCRIPTION	DATE	DRAWN	CHECKED	APPROVED
X8	SZECR14253-07	AX13, AX5, MX8	12/15/14*	ZYY	AlanTsal	ROGER
X9	SZECR14253-08	AX2, MX2	03/10/15*	ZYY	AlanTsal	ROGER
X10	SZECR14253-09	AX1, AX1	04/14/15*	ZYY	AlanTsal	

TABLE A: PRODUCT NUMBER CODE

C-AW10- A K 5 X X X  
 ① ② ③ ④ ⑤ ⑥ ⑦

① TYPE:  
 AW10: USB 2.0 TYPE C PLUG STRADDLE FORMING SHELL TYPE

② POSITION:  
 A: 22 POSITIONS

③ COLOUR OF INSULATOR\K: BLACK

④ CONTACT PLATING:  
 1) GOLD FLASH ON CONTACT AREA  
 5) Au 30u' PLATING ON CONTACT AREA  
 6) Au 2u' + Pd-Ni 30u' ON CONTACT AREA

⑤ SHELL PLATING:  
 V) SOLDERABLE NICKEL WITH TOP / BOTTOM SHELL  
 1) SOLDERABLE NICKEL W/O TOP / BOTTOM SHELL

⑥ MATERIAL OF HOUSING:  
 5) PA-46(HF)

⑦ OTHER:  
 0) TYPE 1 FOR USB2.0 CABLE OD=3.6 mm AND TAPE REEL  
 1) TYPE 1 FOR USB2.0 CABLE OD=3.6 mm AND TRAY  
 2) TYPE 1 FOR USB2.0 CABLE OD=5.0 mm AND TAPE REEL

ITEM	NAME	Q'TY	PART #	MATERIAL / FINISH
10	NYLAR	2	F-TP-114504041830	KAPTON
9	BOTTOM SHELL	1	S- AW10-30X0X	STEEL / NI PLATED
8	TOP SHELL	1	S- AW10-20X00	STEEL / NI PLATED
7	FRONT SHELL	1	S- AW10-10X00	STEEL / SEE TABLE A
6	RIGHT LATCH	1	H- AW10-10X0L	STAINLESS STEEL / NI PLATED
5	LEFT LATCH	1	H- AW10-10X00	STAINLESS STEEL / NI PLATED
4	EMI SPRING	2	H- AW10-20X00	STAINLESS STEEL
3	CONTACT	22	T- AW10-10X00	COPPER ALLOY / SEE TABLE A
2	COVER	1	J- AW10-2AK00	THERMOPLASTIC/UL94 V-0 RATED
1	HOUSING	1	J- AW10-1AK00	THERMOPLASTIC/UL94 V-0 RATED

TOLENCES UNLESS OTHERWISE SPECIFIED DIMENSION FINISH X 12.50 12.50 X 25.00 25.00 X 37.50 37.50 X 50.00 50.00 X 62.50 62.50 X 75.00 75.00 X 87.50 87.50 X 100.00 100.00 X 125.00 125.00 X 150.00 150.00 X 175.00 175.00 X 200.00 200.00 X 250.00 250.00 X 300.00 300.00 X 350.00 350.00 X 400.00 400.00		DRAWN DATE AlanTsal 7/22/14* DESIGN DATE AlanTsal 7/22/14* CHECKED DATE Roger 7/23/14* APPROVED DATE Roger 7/23/14* SHEET 1 OF 4 UNIT P/P	TITLE CnC Tech, LLC USB 2.0 TYPE C PLUG STRADDLE FORMING SHELL TYPE SERIES AW1X SERIES DWG NO C- AW10-00-00 REV X10
-----------------------------------------------------------------------------------------------------------------------------------------------------------------------------------------------------------------------------------------------------------------------------------------------------------------------------------------------------------	--	----------------------------------------------------------------------------------------------------------------------------------------------------------------------	------------------------------------------------------------------------------------------------------------------------------------

