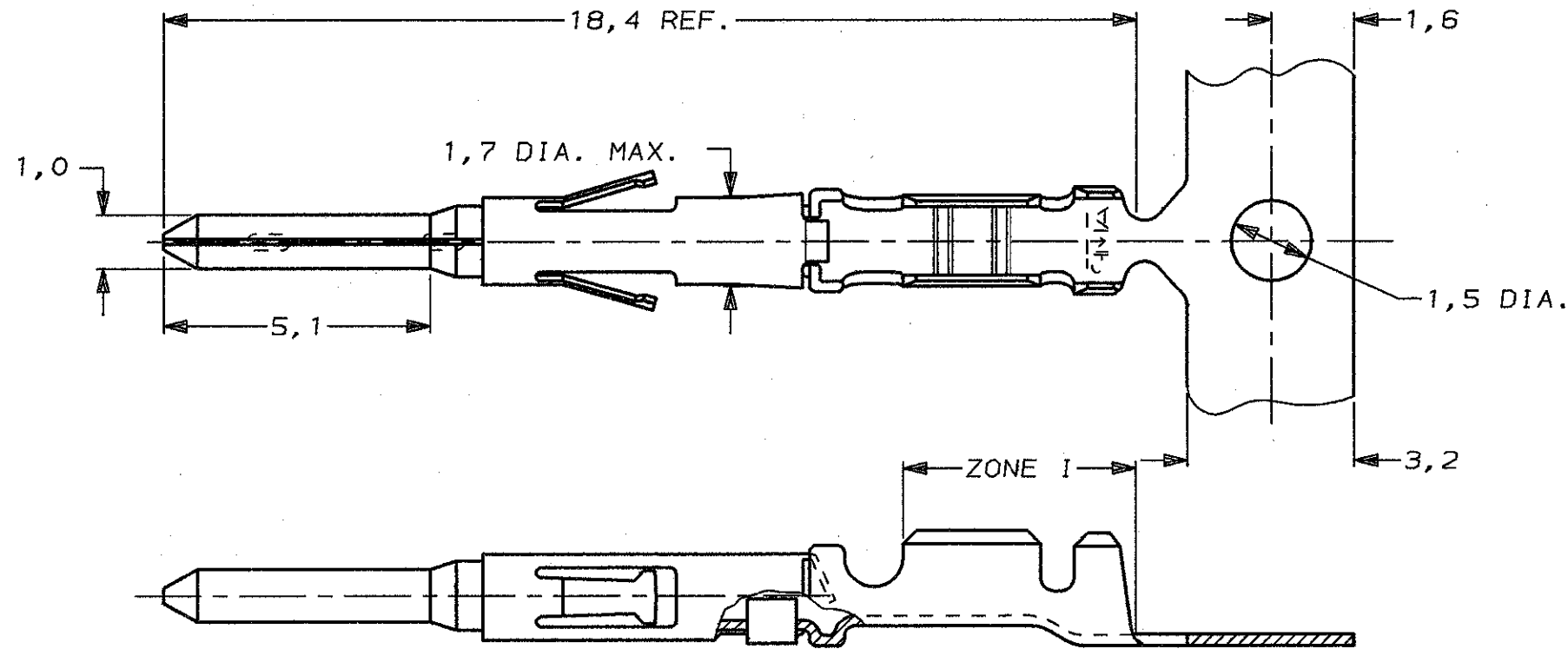
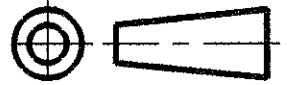


DO NOT SCALE  
DIMENSIONS IN mm

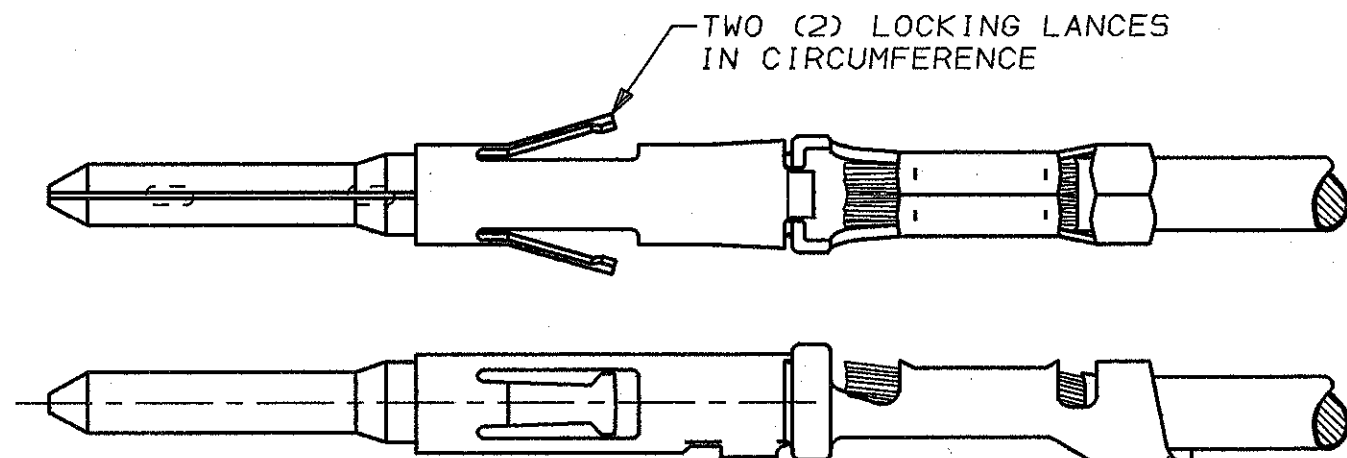
METRIC

THIRD ANGLE  
PROJECTION



NOTES:

- 1 FOR MINI-APPLICATOR CRIMPING.
- 2 FOR STANDARD-APPLICATOR CRIMPING.
- 3 FOR LOOSE-PIECE VERSIONS SEE DWG. 166296
- 4 UNDERCOATING: 1,3µm Ni.  
SELECTIVE : 0,8µm Au.  
ZONE I : BRIGHT TIN/LEAD PLATED.
- 5 UNDERCOATING: 1,3µm Ni.  
SELECTIVE : 2,0µm Au.  
REMAINDER : GOLDFLASH.



WIRE RANGE :  
(0,2-0,56 mm<sup>2</sup>) 20-24 AWG  
INSULATION RANGE :  
1,57 DIA. MAX.

SEE NOTE 5	STAINLESS STEEL	BRASS	166046-4	1
SEE NOTE 4			166046-3	2
SEE NOTE 4			166046-1	1
PLATING OF BODY	MATERIAL OF SLEEVE	MATERIAL OF BODY	PARTNUMBER	

—	—	—	—	—	—
—	—	—	—	—	—
—	—	—	—	—	—
—	—	—	—	—	—
—	—	—	—	—	—
—	—	—	—	—	—
G	EH-0077-92	JvL	CvT	04-03-94	
LTR.	REVISION RECORD	DR.	CHK.	DATE	
DR.:	J.v.LIEMPT	CHK.:	C.v.TILBURG	APP.:	L.v.SOEST
DATE:	6 JAN 1993	DATE:	08-02-93	DATE:	08-02-93

**CUSTOMER DRAWING** FOR REFERENCE ONLY  
WILL NOT BE UPDATED

© COPYRIGHT 19- BY AMP HOLLAND B.V.  
ALL INTERNATIONAL RIGHTS RESERVED. AMP PRODUCTS MAY BE  
COVERED BY U.S. AND FOREIGN AND/OR PATENTS PENDING.  
THIS DRAWING IS UNPUBLISHED  
RELEASED FOR PUBLICATION

**AMP** AMP HOLLAND B.V.  
s-Hertogenbosch,  
The Netherlands.

NAME

**CONTACT ASSEMBLY-PIN  
TYPE XI, SIZE 20**

DWG. No. C-166046

REV. LTR. SHEET  
G 1 OF 1 A3