

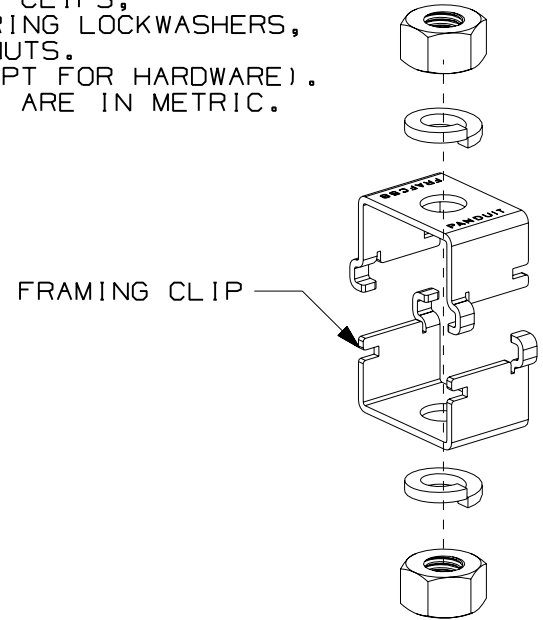
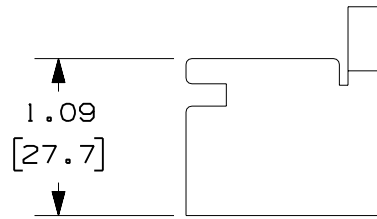
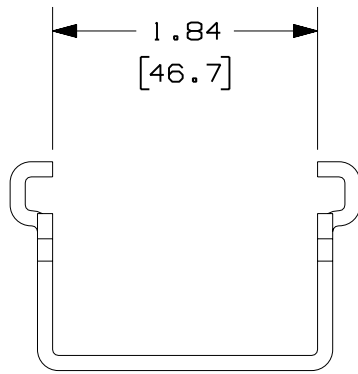
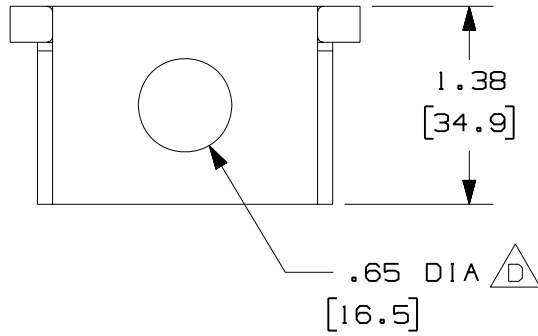
THIS COPY IS PROVIDED ON A RESTRICTED BASIS AND IS NOT TO BE USED IN ANY WAY DETRIMENTAL TO THE INTERESTS OF PANDUIT CORP.

PANDUIT P/N	WEIGHT
FRAF58	0.55 LB/EACH (251g/EACH)



**△ E NOTES:**

1. SEE CURRENT CATALOG FOR ADDITIONAL PART SUFFIXES TO INDICATE PACKAGE QUANTITY.
2. THE FIBER ROUTING AUXILIARY FRAMING CLIP KIT ALLOWS FOR 5/8" THREADED ROD TO BE MOUNTED BETWEEN TWO (2) SECTIONS OF 2"x9/16"x3/16" AUXILIARY FRAMING CHANNEL.
3. THE FIBER ROUTING AUXILIARY FRAMING CLIP KIT INCLUDES:  
TWO (2) AUXILIARY FRAMING CLIPS,  
TWO (2) 5/8-11 HELICAL SPRING LOCKWASHERS,  
TWO (2) 5/8-11 HEAVY HEX NUTS.
4. FINISH COLOR: BLACK (EXCEPT FOR HARDWARE).
5. DIMENSIONS IN PARENTHESES ARE IN METRIC.



ENG. REF.: D38879BC\_DC\_FRAF58\_01.prt

CAD FILENAME/LAYERS FRAF58.pdf

**PANDUIT** CORP TINLEY PARK, ILLINOIS  
**FIBER ROUTING AUXILIARY FRAMING CLIP - 5/8" THREADED ROD (FRAF58)**  
 CUSTOMER DRAWING

UNLESS OTHERWISE SPECIFIED, DIMENSIONAL TOLERANCES ARE:  
 (.X) ± (.XXX) ±  
 (.XX) ± .03 (.8) ANGLES ±

UNLESS OTHERWISE SPECIFIED, ALL DIMENSIONS ARE GIVEN IN INCHES, THIRD ANGLE PROJECTION.

-	-----	---	--	E. REVISED GENERAL NOTES. D. ADDED DIMENSION.	-----	--	--				
2	8-2-06	MSO	RN	C. REVISED PART WEIGHT. B. REVISED DRAWING TITLE.	38879-04	RN	RN				
1	7-15-04	MSO	RPA	A. REVISED DRAWING TITLE.	38879-04	RN	RN				
R	5-12-04	MSO	RPA	RELEASED TO PRODUCTION	38879-04	RN	RN				
REV	DATE	BY	CHK	DESCRIPTION	ECN	- R	CUST	SUP	GMBH		

DRAWN BY	MAT'L:	SCALE
MSO	STEEL	NONE
DATE		DRAWING NO.
5-12-04		38879-04
CHK'D		DWG
RPA		A
		SIZE