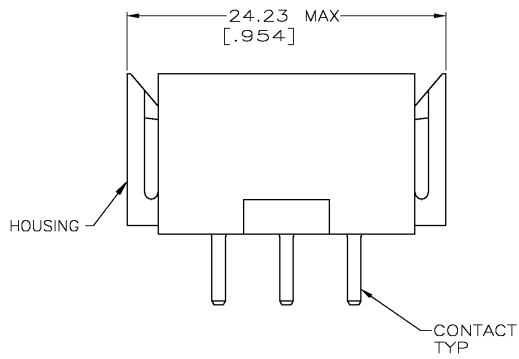
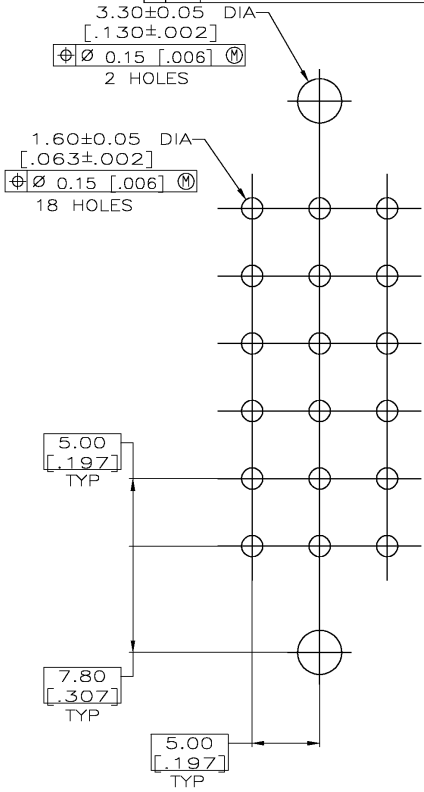
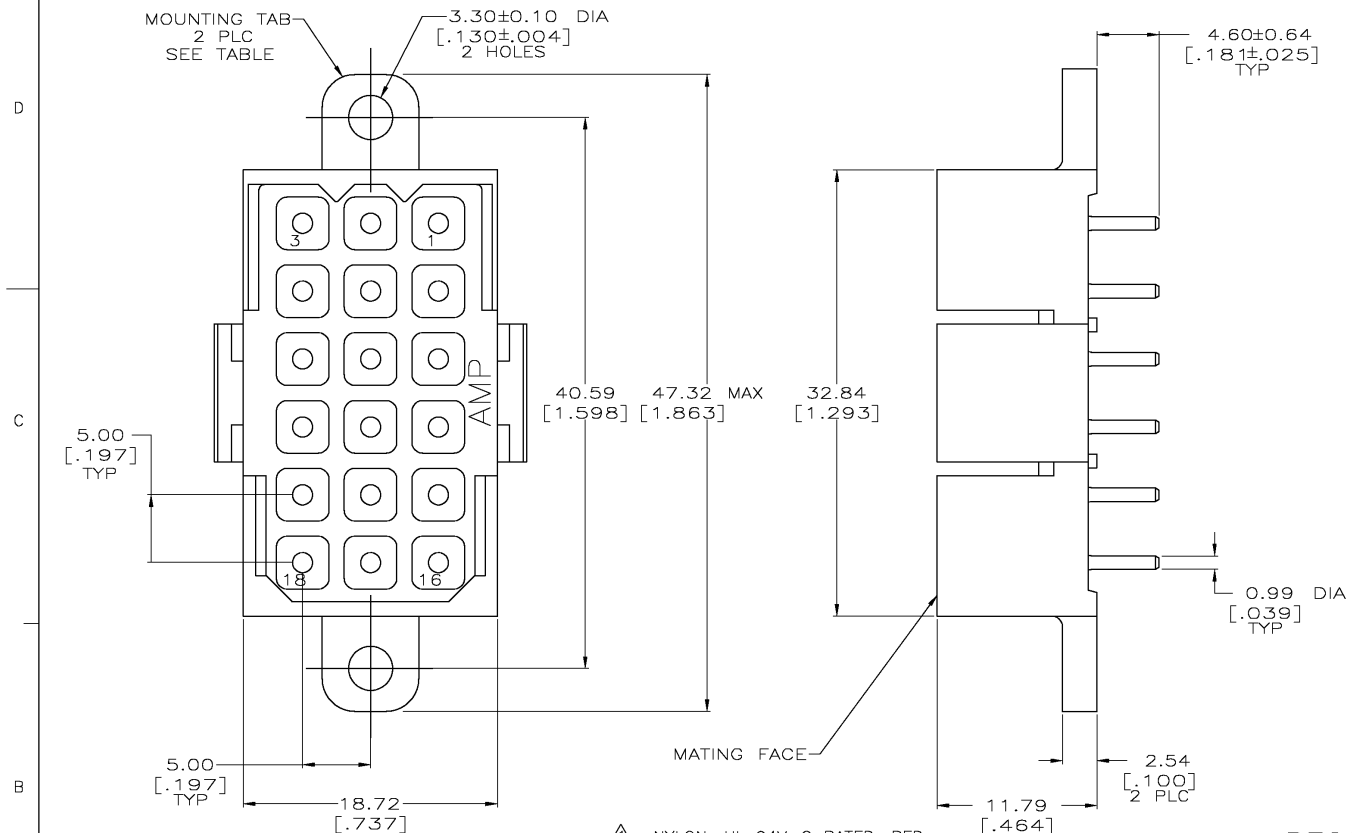


LOC	DIST	REVISIONS			
P	U/R	DESCRIPTION	DATE	DWN	APP'D
FT	13	K	OG3B-0397-03	12MAY03	TK GS



- ▲ NYLON, UL 94V-0 RATED, RED.
- ▲ BRASS PER ASTM B36.
- ▲ 3.81µm [.000150] MIN TIN OVER 2.54µm [.000100] MIN COPPER.
- ▲ 0.76µm [.000030] MIN GOLD FOR A LENGTH OF 5.08 [.200] FROM MATING END, 3.81µm [.000150] MIN TIN-LEAD FOR A LENGTH OF 4.83 [.190] MIN FROM OPPOSITE END, BOTH OVER 1.27µm [.000050] MIN NICKEL.
- ▲ 0.76µm [.000030] MIN GOLD FOR A LENGTH OF 5.08 [.200] FROM MATING END, 3.81µm [.000150] MIN LEAD FREE TIN FOR A LENGTH OF 4.83 [.190] MIN FROM OPPOSITE END, BOTH OVER 1.27µm [.000050] MIN NICKEL.
- ▲ 3.81µm [.000150] MIN LEAD FREE TIN OVER 2.54µm [.000100] MIN COPPER.

RECOMMENDED PC BOARD LAYOUT

REV	DESCRIPTION	DATE	BY	CHK'D
6	NO	1-207444-0		
6	YES	207444-9		
5	YES	207444-8		
4	NO	207444-4		
4	YES	207444-3		
3	NO	207444-2		
3	YES	207444-1		

THIS DRAWING IS A CONTROLLED DOCUMENT.

DW	L SIPE	03/11/92	Tyco Electronics Corporation Harrisburg, Pa
DR	R STONE	3-17-92	
APD	A TRAVIS	3-17-92	PIN HEADER ASSEMBLY, 18 POSITION, METRIMATE
NAME			
PRODUCT SPEC	108-10033		SIZE: A2
APPLICATION SPEC			
MATERIAL	HOUSING: 1	CONTACT: SEE TABLE	RESTRICTED TO
FINISH	CUSTOMER DRAWING		SCALE: 4:1
WEIGHT			SHEET 1 OF 1
			REV K

207444