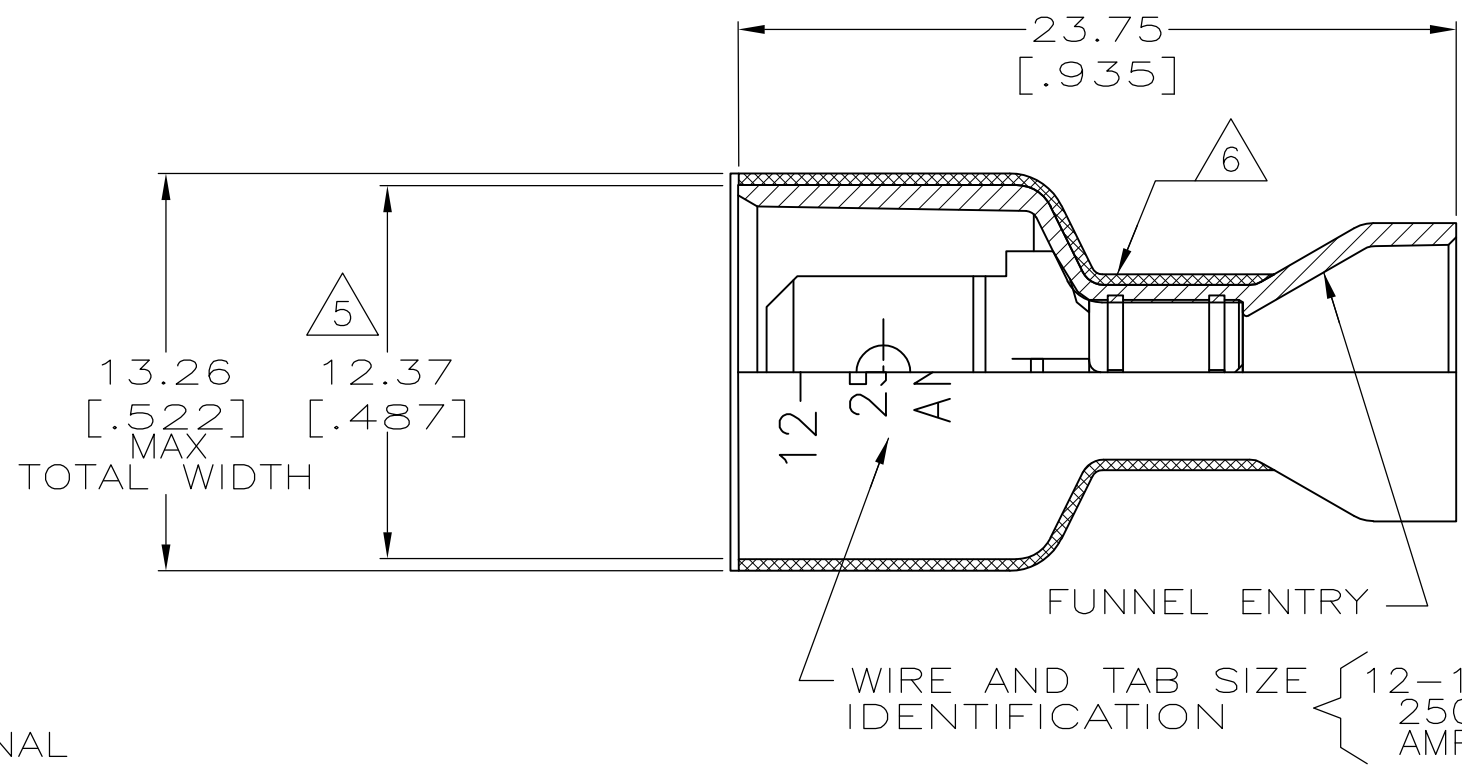
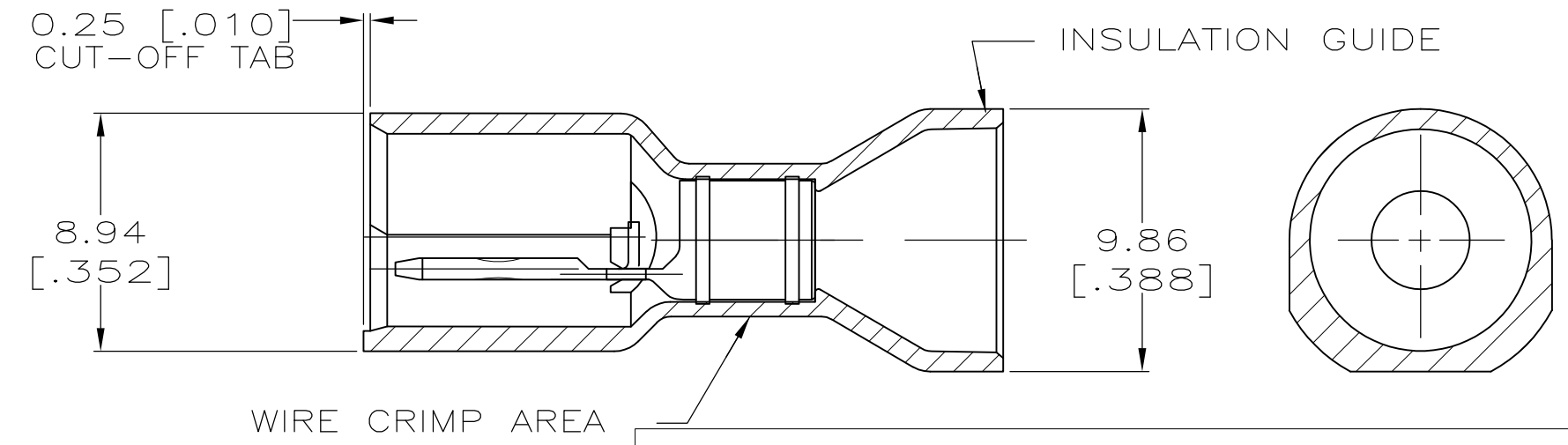
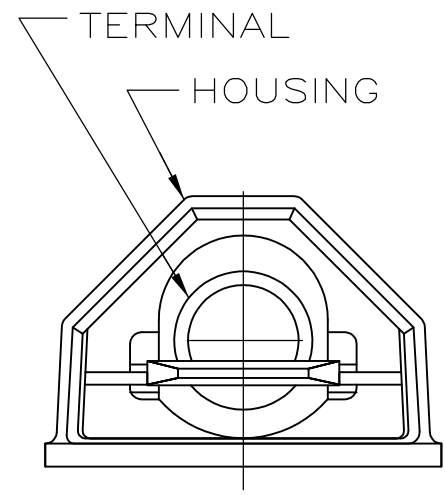


THIS DRAWING IS UNPUBLISHED. RELEASED FOR PUBLICATION
 © COPYRIGHT - By - ALL RIGHTS RESERVED.

LOC	DIST	REVISIONS					
AF	50	P	LTR	DESCRIPTION	DATE	DWN	APVD
		C		REVISED PER ECR-12-005303	24JUL12	KH	KR



- 1 TAB DIMENSIONS 0.81±0.025 X 6.35 [.032±.001 X .250]
- 2 WIRE STRIP LENGTH 7.92 [.312].
- 3 INSULATION SIZE .320 MAX DIA.
- 4 SUPPLIED IN LOOSE PIECE.
- 5 DIMENSION DOES NOT INCLUDE TRIM BURR.
- 6 0.38 [.015] MAX CARRIER TRIM BURR PER SIDE IS ALLOWABLE IN THE SHADED AREA.



HOUSING: NYLON,COLOR-YELLOW TAB: #3 HARD BRASS, TIN	4-521098-2
MATERIAL & FINISH	PART NO

THIS DRAWING IS A CONTROLLED DOCUMENT.		DWN JR RUTH 9/25/95	STE TE Connectivity	
DIMENSIONS: MM[INCHES]		CHK P FORTNEY 9/25/95		
TOLERANCES UNLESS OTHERWISE SPECIFIED:		APVD D BRATINA 9/25/95	NAME	
0 PLC ± -		PRODUCT SPEC	TAB ASSEMBLY, ULTRA-FAST, [6.35] .250 SERIES, 12-10 AWG	
1 PLC ± -		108-2017	SIZE	
2 PLC ± 0.38 [.015]		APPLICATION SPEC	CAGE CODE	DRAWING NO
3 PLC ± -		114-2123	A3 00779 C-521098	
4 PLC ± -		WEIGHT	RESTRICTED TO	
ANGLES ± -		-	-	
FINISH		CUSTOMER DRAWING		
SEE TABLE		SCALE 4:1		SHEET 1 OF 1
SEE TABLE		REV C		