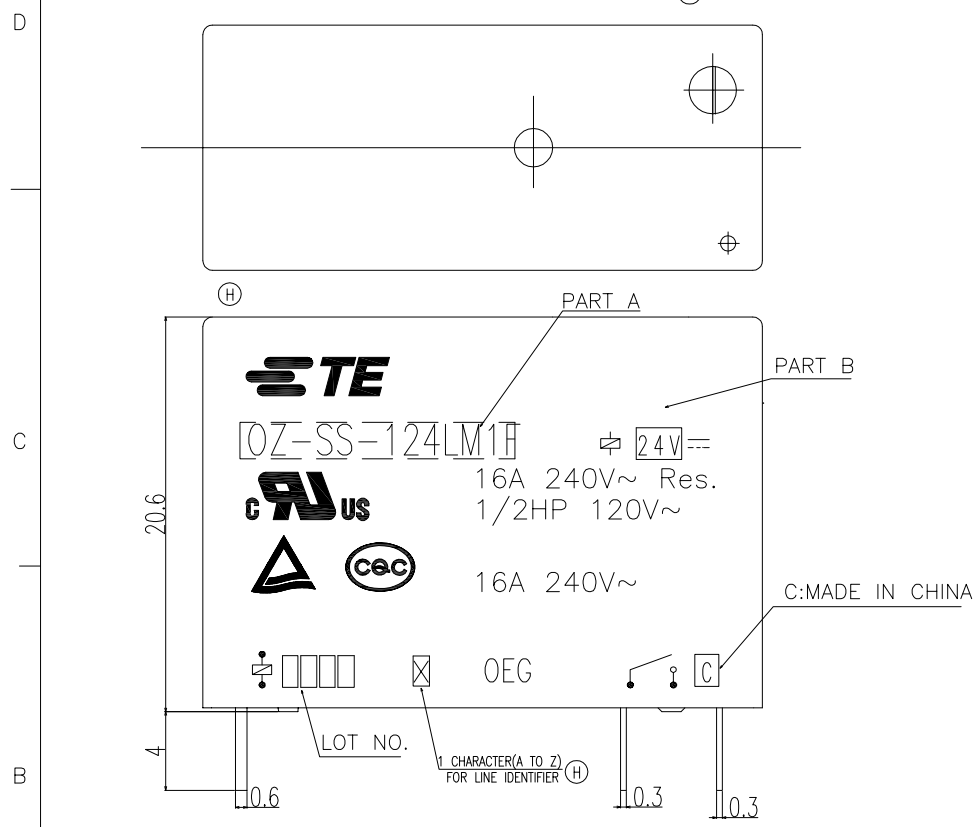


THIS DRAWING IS UNPUBLISHED. RELEASED FOR PUBLICATION  
 © COPYRIGHT - By TE Connectivity ALL RIGHTS RESERVED.

LOC HB DIST -

REVISIONS					
P	LTR	DESCRIPTION	DATE	DWN	APVD
H		1.UPDATE TE LOGO 2.ADD LINE IDENTIFICATION	ECO-12-005726	09-APR-12	D.L BH.Y
H1		3.TERMINALS TOLERANCE CLARIFICATION 4.VENT HOLE CHANGE	ECO-17-000322	10-JAN-17	XR.L HLC



L TYPE:

ITEM	PART NO	DESCRIPTION	PART B	PART A	ITEM
(H)	1-2071269-2	OZ-SS-112LM1F	12V	OZ-SS-112LM1F	h
	1461868-7	OZ-SS-109LM1F	9V	OZ-SS-109LM1F	g
	1461868-5	OZ-SS-112LM1F	12V	OZ-SS-112LM1F	e
(H)	1461868-8	OZ-SH-105LM1F	5V	OZ-SH-105LM1F	d
	1461868-3	OZ-SH-124LM1F	24V	OZ-SH-124LM1F	c
	1461868-2	OZ-SS-124LM1F	24V	OZ-SS-124LM1F	b
	1461868-1	OZ-SH-112LM1F	12V	OZ-SH-112LM1F	a

RELAY TYPE

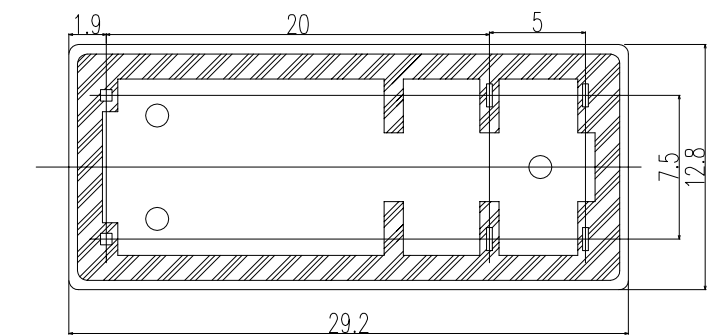
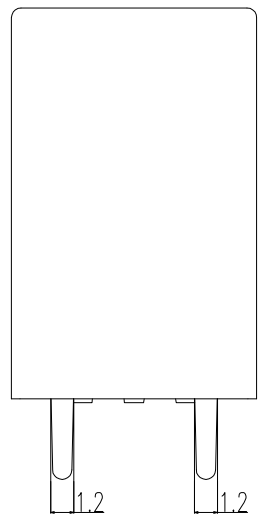
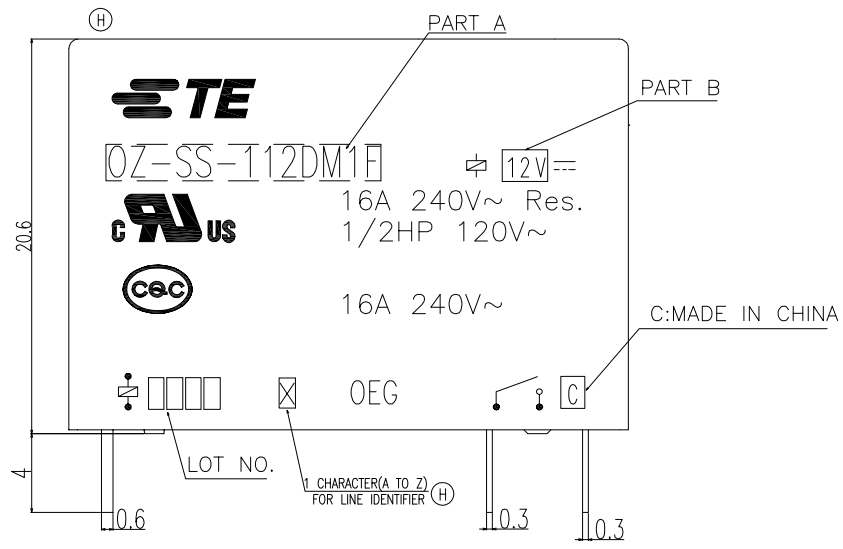
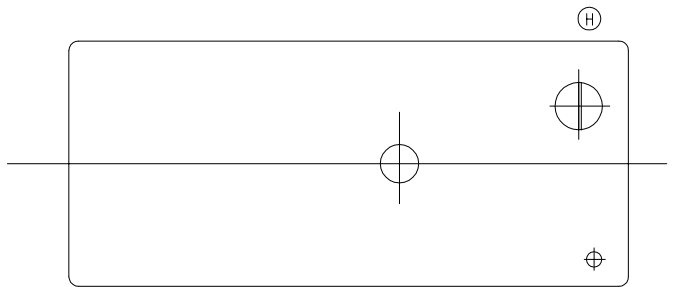
THIS DRAWING IS A CONTROLLED DOCUMENT.

DIMENSIONS:	TOLERANCES UNLESS OTHERWISE SPECIFIED:
mm	0 PLC ±
	1 PLC ±
	2 PLC ±
	3 PLC ±
	4 PLC ±
	ANGLES ±
MATERIAL	FINISH

DWN H.SASAKI	09APR2012	<b>TE</b> TE Connectivity			
CHK N.FUNAYAMA					
APVD A.NAGAI		NAME			
PRODUCT SPEC		OZ CUSTOMER DRAWING			
APPLICATION SPEC		SIZE	CAGE CODE	DRAWING NO	RESTRICTED TO
		A3	00779	C=1461868	-
CUSTOMER DRAWING		SCALE	SHEET	REV	
		4:1	1 of 3	H1	

THIS DRAWING IS UNPUBLISHED. RELEASED FOR PUBLICATION  
 © COPYRIGHT - By TE Connectivity ALL RIGHTS RESERVED.

LOC	DIST	REVISIONS					
HB	-	P	LTR	DESCRIPTION	DATE	DWN	APVD
		-		SEE SHEET 1	-	-	-



D TYPE:

1461868-6	OZ-SS-112DM1F	12V	OZ-SS-112DM1F	f
PART NO	DESCRIPTION	PART B	PART A	ITEM

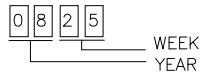
RELAY TYPE

THIS DRAWING IS A CONTROLLED DOCUMENT.		DWN	09APR2012		TE Connectivity OZ CUSTOMER DRAWING				
DIMENSIONS: mm		CHK	N.FUNAYAMA			NAME			
TOLERANCES UNLESS OTHERWISE SPECIFIED:		APVD	A.NAGAI			PRODUCT SPEC			
0 PLC ±- 1 PLC ±- 2 PLC ±- 3 PLC ±- 4 PLC ±- ANGLES ±-		APPLICATION SPEC	-			RESTRICTED TO			
MATERIAL	FINISH	WEIGHT	SIZE	CAGE CODE	DRAWING NO	RESTRICTED TO			
-	-	-	A3	00779	C=1461868	-			
CUSTOMER DRAWING				SCALE	4:1	SHEET	2 OF 3	REV	H1

THIS DRAWING IS UNPUBLISHED. RELEASED FOR PUBLICATION  
 © COPYRIGHT - By TE Connectivity ALL RIGHTS RESERVED.

LOC	DIST	REVISIONS			
P	LTR	DESCRIPTION	DATE	DWN	APVD
HB	-	SEE SHEET 1	-	-	-

NOTES:  
 1.LOT NO. SYSTEM AS FOLLOWING:



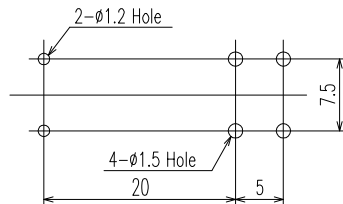
2.GENERAL TOLERANCE AS FOLLOWING:

TOLERANCE	
0~0.99mm	±0.1
1mm~2.99mm	±0.2
3mm MIN.	±0.3

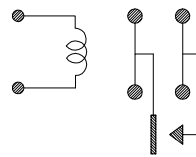
3.TERMINAL DIMENSION IS NOT INCLUDING SOLDER TIP.

(H) 4.FOR THE TIN-PLATING OF THE PINS:  
 +0.1mm FOR WIDTH,THICKNESS AND DIAMETER.  
 +0.5mm FOR LENGTH.

CIRCUIT DIAGRAM(2/1)  
 (BOTTOM VIEW)



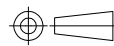
DRILLING DIAGRAM  
 (BOTTOM VIEW)



		EPOXY RESIN	SEAL	15
		Cu ALLOY	HINGE SPRING	14
		PBT	CASE	13
		MW79	MAGNETIC WIRE	12
UL94V-0		PET	BASE	11
UL94V-0		PA66 NYLON(CLASS F)	BOBBIN	10
	SOLDER DIP	Cu ALLOY	COIL TERMINAL	9
UL94V-0		PPS	CARD	8
		Ag ALLOY	MOVABLE CONTACT	7
		Ag ALLOY	STATIONARY CONTACT	6
	SOLDER DIP	Cu ALLOY	MOVABLE SPRING	5
	SOLDER DIP	Cu ALLOY	NO-TERMINAL	4
	Ni PLATED	STEEL	CORE	3
	Ni PLATED	STEEL	ARMATURE	2
	Ni PLATED	STEEL	YOKE	1
INCOMBUSTIBILITY	TREATMENT	MATERIAL	DESCRIPTION	ITEM

THIS DRAWING IS A CONTROLLED DOCUMENT.

DIMENSIONS: mm



TOLERANCES UNLESS OTHERWISE SPECIFIED:  
 0 PLC ± -  
 1 PLC ± -  
 2 PLC ± -  
 3 PLC ± -  
 4 PLC ± -  
 ANGLES ± -

MATERIAL FINISH

DWN H.SASAKI 09APR2012

CHK N.FUNAYAMA

APVD A.NAGAI

PRODUCT SPEC

APPLICATION SPEC

WEIGHT

CUSTOMER DRAWING

TE Connectivity



TE Connectivity

NAME

OZ CUSTOMER DRAWING

SIZE CAGE CODE DRAWING NO RESTRICTED TO

A3 00779 C=1461868

SCALE 4:1 SHEET 3 OF 3 REV H1