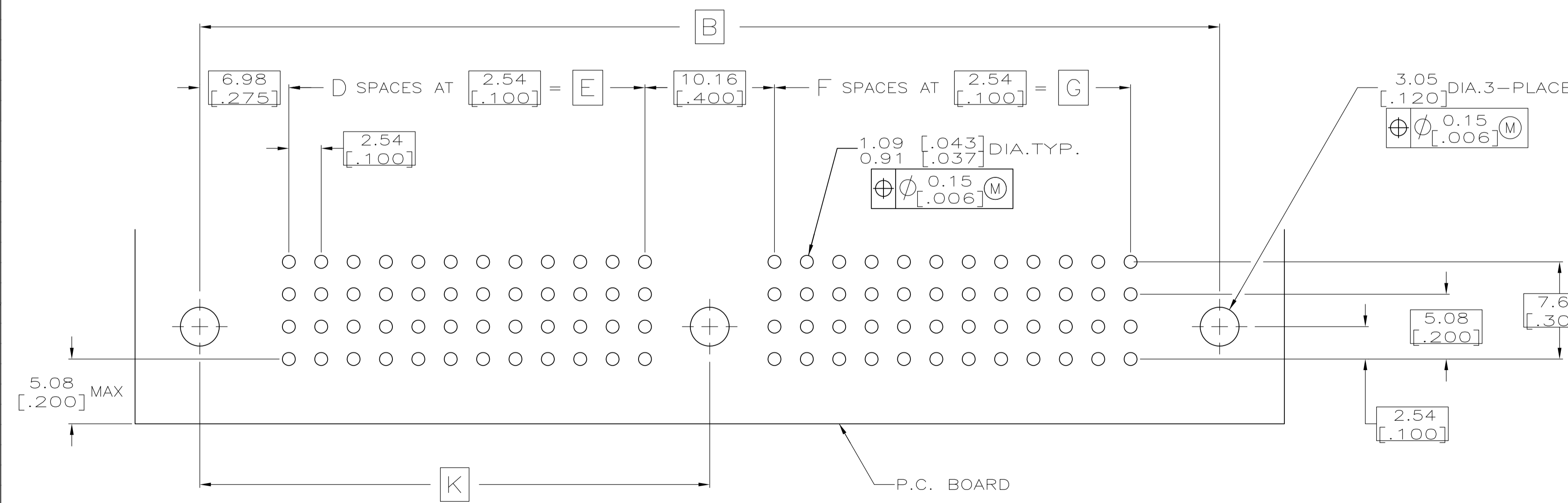
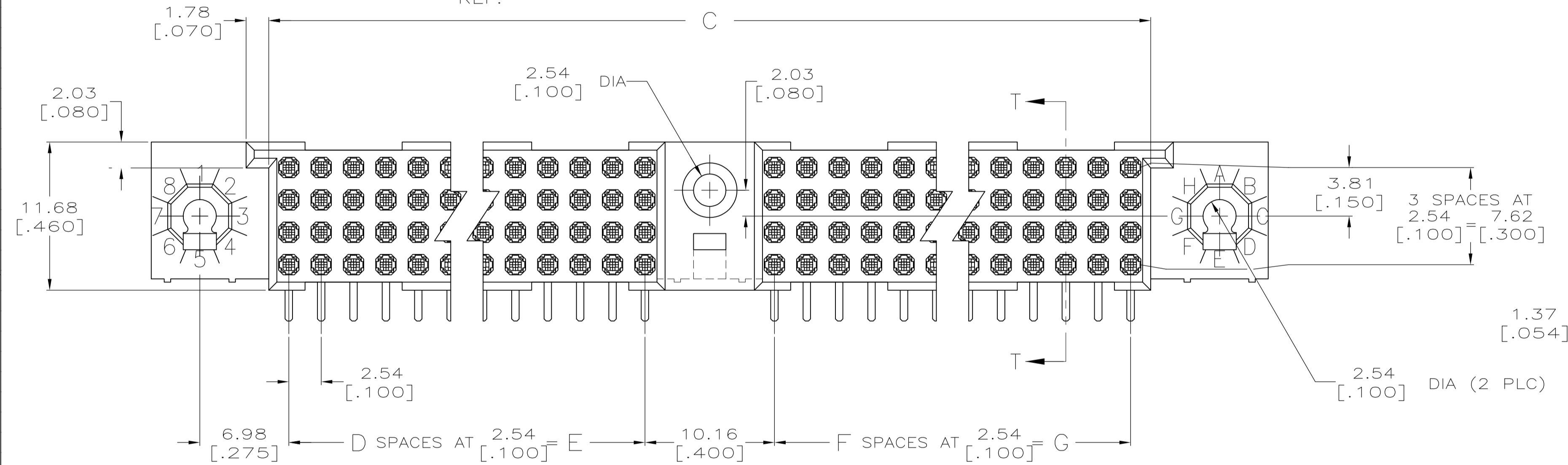
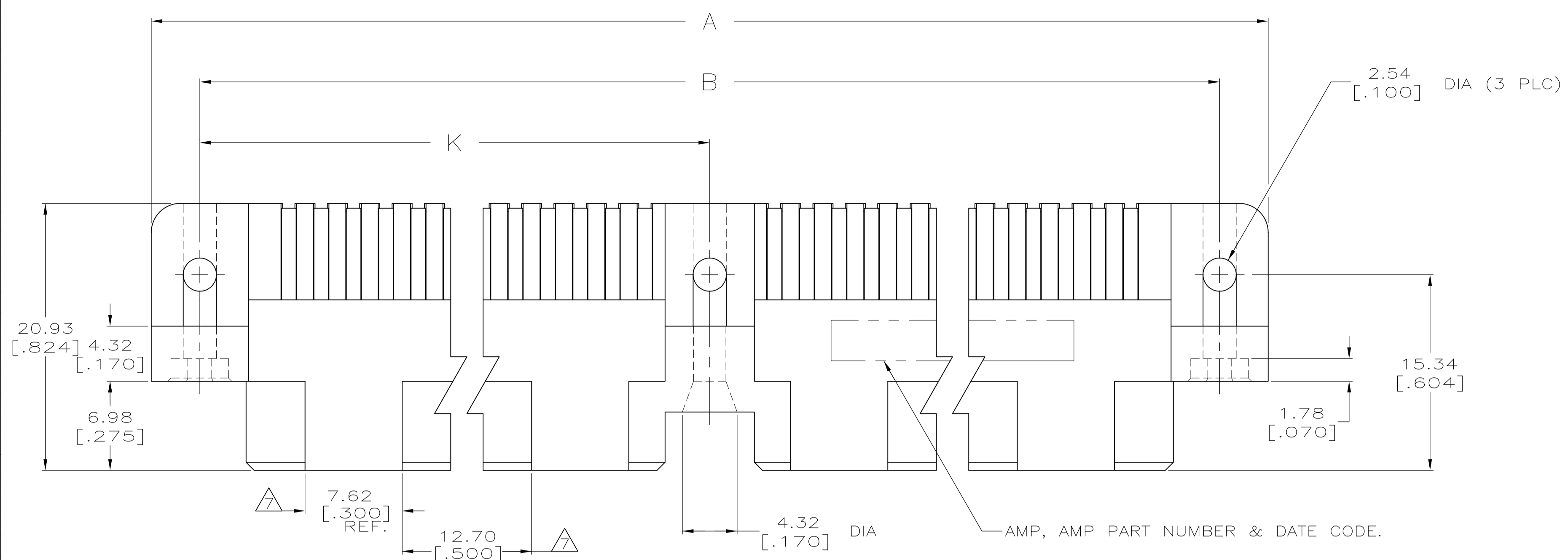
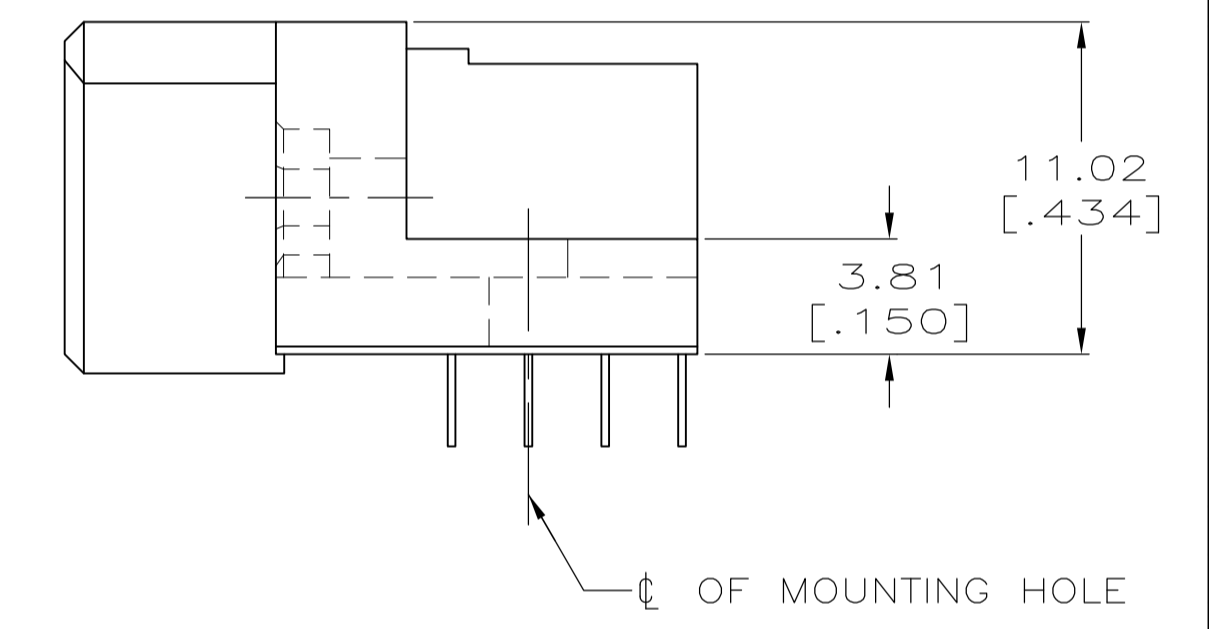
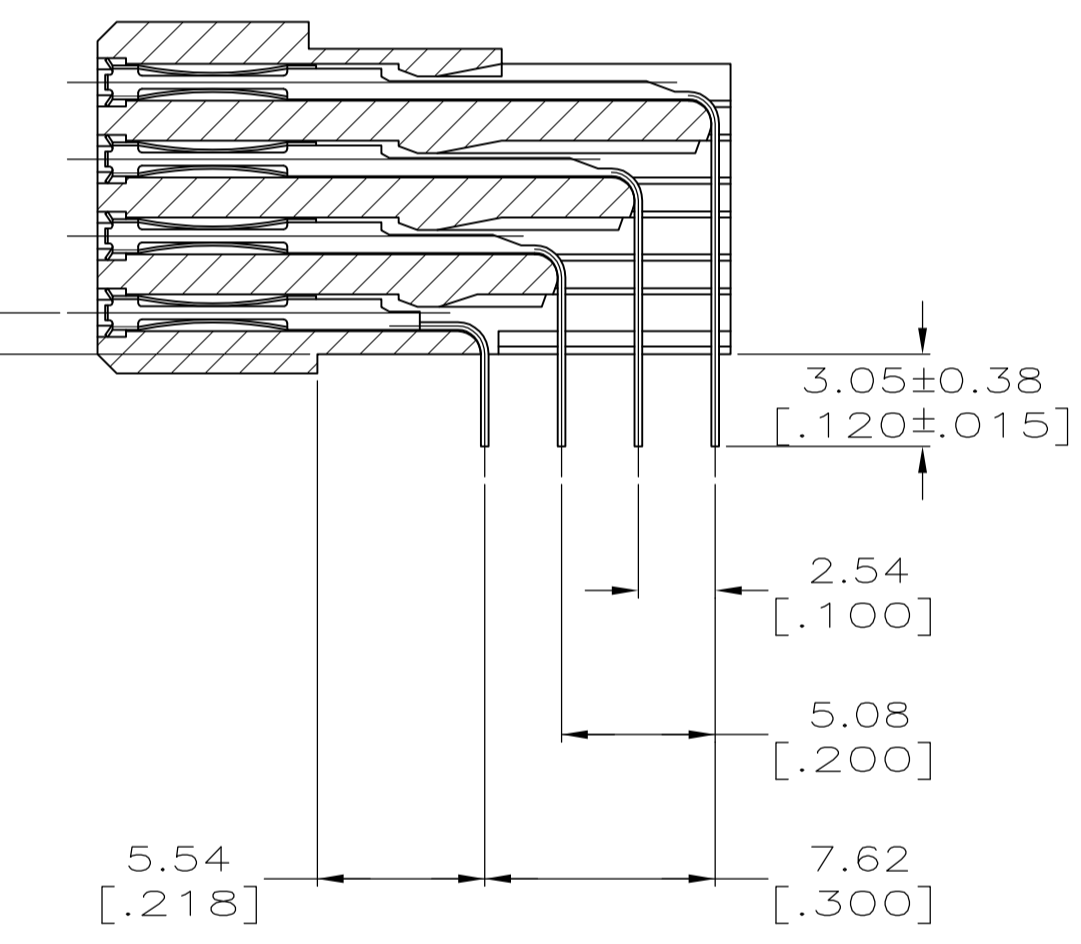


LOC		DIST		REVISIONS			
P	LTR	DESCRIPTION	DATE	DNW	APVD		
K		REVISED PER EC 0512-0287-05	10DEC05	JDP	AMS		
K1		REVISED PER ECO-09-021510	12SEP09	KK	AEG		



RECOMMENDED P.C. BOARD LAYOUT



THIS DRAWING IS A CONTROLLED DOCUMENT.

DIMENSIONS:	TOLERANCES UNLESS OTHERWISE SPECIFIED:	DIN R.K. SEIFRIED 6-19-90	Tyco Electronics Tyco Electronics Corporation Harrisburg, PA 17105-3608
mm [INCHES]	0 PLC ± - 1 PLC ± - 2 PLC ± - 3 PLC ± 0.13 [.005] 4 PLC ± - ANGLES ± -	CHK G. SKIPPER 6-19-90	
MATERIAL	FINISH	APVD G. SKIPPER 6-19-90	NAME HDI, 4 ROW, RECEPTACLE ASSEMBLY, 1 GUIDE PIN, 3 MOUNTING HOLES, 3.05 [.120] LONG SOLDER TAILS, 0.00076 [.000030] GOLD PLATE
		SIZE CAGE CODE DRAWING NO. A1 00779 C=533443	RESTRICTED TO
		WEIGHT	CUSTOMER DRAWING SCALE 4:1 SHEET 1 OF 2 REV K1

- 1 HOUSING MATERIAL: THERMOPLASTIC, COLOR-NATURAL.
- 2 CONTACT MATERIAL: COPPER ALLOY.
- 3 CONTACT FINISH: .00127-.00254 [.000050-.000100] NICKEL UNDERPLATE ALL OVER; .00076 [.000030] GOLD PLATE IN CONTACT AREA, TIN-LEAD PLATED SOLDER TAILS.
- 4 SOLDER TAILS MUST FIT HOLE PATTERN AS SHOWN ON THE RECOMMENDED P.C. BOARD LAYOUT.
- 5. DIMENSIONS IN BRACKETS ARE IN INCHES.
- 6 PART NUMBER IS OBSOLETE.
- 7 QUANTITIES OF VOID CORING ARE DEPENDENT ON THE POSITION SIZE OF THE HOUSING.
- 8 OBSOLETE PARTS: OBSOLETE CIS STREAMLINING PER D.RENAUD/D.SINISI

6											9-533443-5
8	OBSOLETE	164.46 [6.475]	152.40 [6.000]	60	152.40 [6.000]	60	318.11 [12.524]	328.93 [12.950]	336.55 [13.250]	488	533443-8
6		156.84 [6.175]	144.78 [5.700]	57	144.78 [5.700]	57	302.87 [11.924]	313.69 [12.350]	321.31 [12.650]	464	533443-7
6		149.22 [5.875]	137.16 [5.400]	54	137.16 [5.400]	54	287.63 [11.324]	298.45 [11.750]	306.07 [12.050]	440	533443-6
6		141.60 [5.575]	129.54 [5.100]	51	129.54 [5.100]	51	272.39 [10.724]	283.21 [11.150]	290.83 [11.450]	416	533443-5
6											533443-4
6		126.36 [4.975]	114.30 [4.500]	45	114.30 [4.500]	45	241.91 [9.524]	252.73 [9.950]	260.35 [10.250]	368	533443-3
6											533443-2
6		111.12 [4.375]	99.06 [3.900]	39	99.06 [3.900]	39	211.43 [8.324]	222.25 [8.750]	229.87 [9.050]	320	533443-1
		K	G	F	E	D	C	B	A	POSN	PART NUMBER

THIS DRAWING IS A CONTROLLED DOCUMENT.

DIMENSIONS: mm [INCHES]	TOLERANCES UNLESS OTHERWISE SPECIFIED: 0. PLC ± - 1. PLC ± - 2. PLC ± - 3. PLC ± 0.13 [.005] 4. PLC ± - ANGLES ± -	DIN R. K. SEIFRIED 06/19/90 CHK G. SKIPPER 06/19/90 APVD -	Tyco Electronics Corporation Harrisburg, PA 17105-3608
		NAME: HDI, 4 ROW, RECEPTACLE ASSEMBLY, 1 GUIDE PIN, 3 MOUNTING HOLES, 3.05[.120] LONG SOLDER TAILS, 0.00076[.000030] GOLD PLATE	SIZE: A1 CAGE CODE: 533443 DRAWING NO: 533443
MATERIAL: 1, 2	FINISH: 3	WEIGHT: -	RESTRICTED TO: -
CUSTOMER DRAWING		SCALE: 4:1	SHEET 2 OF 2 REV K1