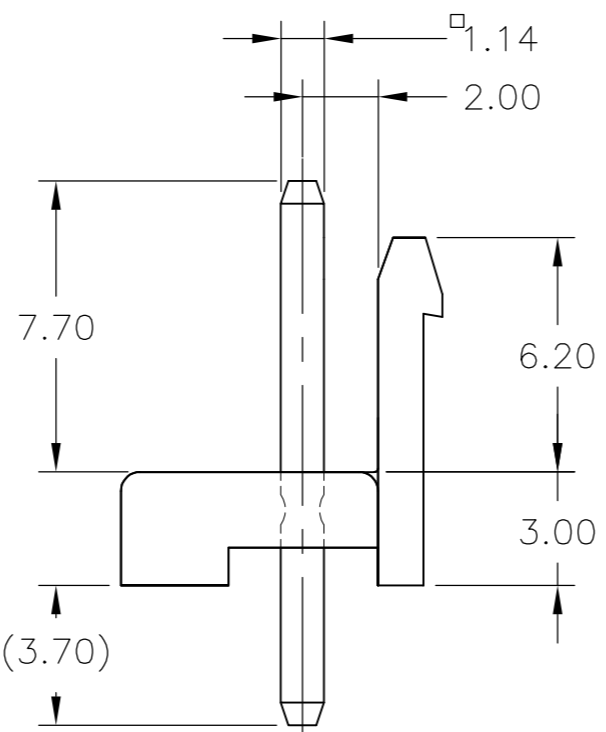
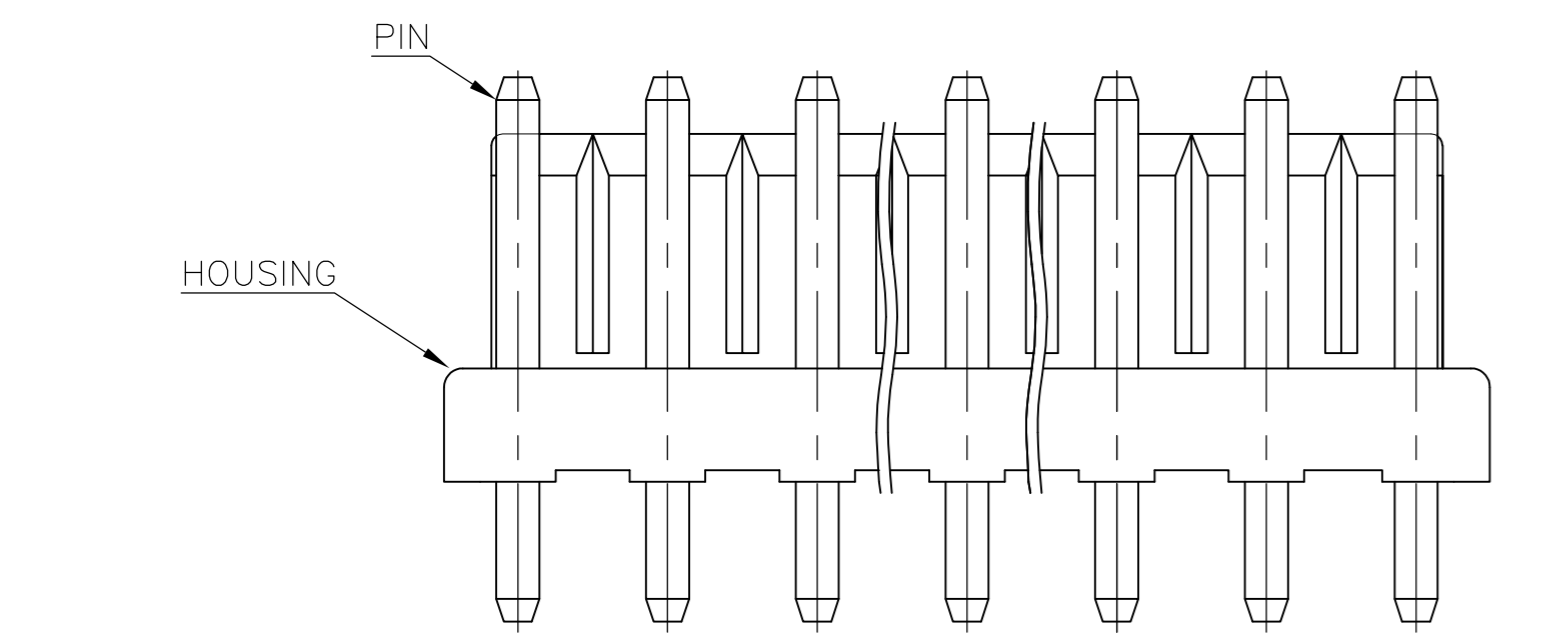
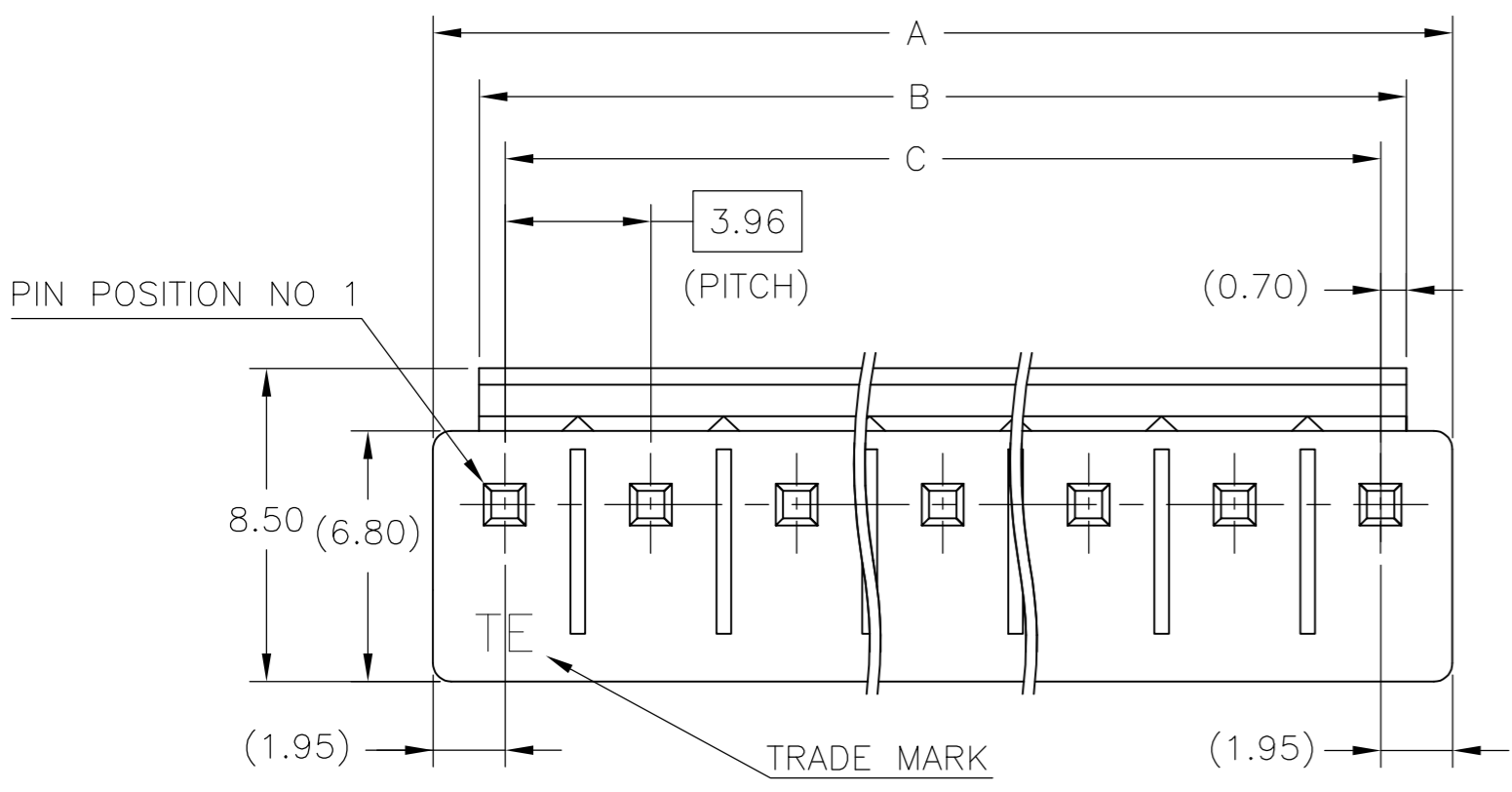


THIS DRAWING IS UNPUBLISHED. RELEASED FOR PUBLICATION
 © COPYRIGHT - By - ALL RIGHTS RESERVED.

LOC		DIST		REVISIONS			
P	LTR	DESCRIPTION	DATE	DWN	APVD		
J	-	D1	REVISED PER ECR-14-017722	30NOV2014	O.C	D.Z	



$\phi 1.60 \pm 0.1$ (PUNCHED HOLE)
 $\phi 1.65 \pm 0.1$ (DRILLED HOLE)

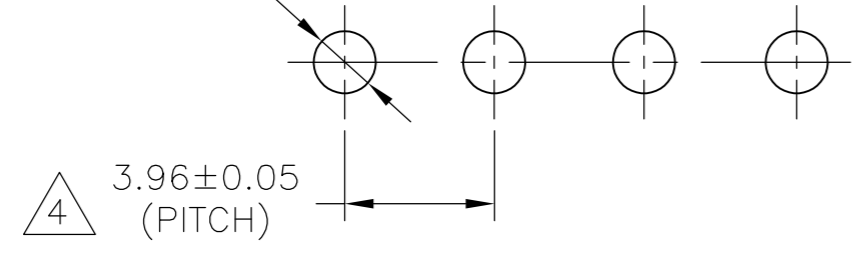


FIG.1

- 1 MATING CONN P/N: □-1123722-□
- 2 APPLICABLE P.C.B LAYOUT: SEE FIG. 1
- 3 APPLICABLE P.C.B THICKNESS: 1.60
- 4 SKETCHES SHOW NO PINS MISSING.
- 5 COMPLY WITH GLOW WIRE REQUIREMENTS FOR PARTS OF NON-METALIC MATERIAL SUPPORTING A CURRENT CARRYING CONNECTION DETAILED IN IEC 60335-1 SECTION 30 (GWT [GLOW WIRE TEST]) 750° SPEC.
- 6 PIN: POST TIN OVER BRASS
- 7 HOUSING: PBT, 30% GLASS, UL94-V0.
- 8 ○ : WITH PIN,
X : WITHOUT PIN.
- 9 HOUSING: NYLON, 15% GLASS, UL94-V2
- 10 PRELIMINARY - NOT FOR PRODUCTION.
- 11 OBSOLETE PARTS..

YES	9	PIN POSITION										"c"	"B"	"A"	COLOR	7	ASS'Y P/N	
		1	2	3	4	5	6	7	8	9	10							11
NO	7	○	○	○	×	○	×	○	/	/	/	/	23.76	25.16	27.66	NATURAL	4	7-1473059-5
		○	○	○	×	○	×	○	/	/	/	/	BLACK	5-1473059-5				
		○	○	○	×	○	×	○	/	/	/	/	RED	4-1473059-5				
		○	○	○	×	○	×	○	/	/	/	/	BLUE	3-1473059-5				
		○	○	○	×	○	×	○	/	/	/	/	NATURAL	1-1473059-5				
		○	○	×	○	/	/	/	/	/	/	/	BLACK	8-1473059-3				
		○	○	×	○	/	/	/	/	/	/	/	RED	7-1473059-3				
YES	9	○	○	×	○	/	/	/	/	/	/	11.88	13.28	15.78	NATURAL	4	4-1473059-1	
NO	7	○	×	○	○	/	/	/	/	/	BLUE	3-1473059-3						
YES	9	○	×	○	○	/	/	/	/	/	NATURAL	3-1473059-1						
NO	7	○	○	×	○	/	/	/	/	/	NATURAL	2-1473059-3						
YES	9	○	○	×	○	/	/	/	/	/	NATURAL	2-1473059-1						
NO	7	○	×	○	○	/	/	/	/	/	NATURAL	1-1473059-3						
YES	9	○	×	○	○	/	/	/	/	/	NATURAL	1-1473059-1						
GWT	5	HOUSING MATERIAL											DIMENSION			COLOR	POSN	ASS'Y P/N

THIS DRAWING IS A CONTROLLED DOCUMENT.

DIMENSIONS: mm	TOLERANCES UNLESS OTHERWISE SPECIFIED:	DWN Y.YAMADA 07SEP2004	NAME
0 PLC ±	1 PLC ± 0.50	CHK N.YAMASAKI 07SEP2004	ECONOMY POWER (EP) CONN HEADER ASS'Y
2 PLC ± 0.30	3 PLC ±	APVD N.YAMASAKI 07SEP2004	7.92/3.96mm PITCH 3POS
4 PLC ±	ANGLES ±	PRODUCT SPEC	108-5609
MATERIAL SEE TABLE 6	FINISH 6	APPLICATION SPEC	WEIGHT -
		WEIGHT -	SIZE A2
		CUSTOMER DRAWING	CAGE CODE 00779
		SCALE 5:1	DRAWING NO C=1473059
		SHEET 1 of 1	RESTRICTED TO -
		REV D1	