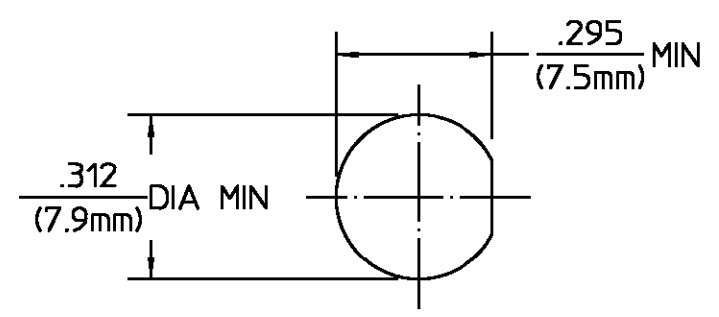


| REVISIONS | | | |
|-----------------|-------------|----------|--------------|
| REV | DESCRIPTION | DATE | APPROVED |
| 01 ₂ | REVISED | 10/30/95 | Com 10/30/95 |



RECOMMENDED MOUNTING HOLE

| | | |
|---------------------------------|--|----------------------------|
| HOUSING MOUNTING NUT LOCKWASHER | STAINLESS STEEL PER ASTM-A484 AND ASTM-A582, TYPE 303 | GOLD PLATE PER MIL-G-45204 |
| DIELECTRIC | TFE FLUOROCARBON PER ASTM-D-1457 | N/A |
| CENTER CONTACT | BERYLLIUM COPPER PER ASTM B 196, ALLOY C17300, CONDITION H | GOLD PLATE PER MIL-G-45204 |
| CONTACT EXT. | IRON-NICKEL ALLOY PER ASTM-F-30 | GOLD PLATE PER MIL-G-45204 |
| O-RING | EPM PER ASTM-D2000-70 | N/A |
| HERMETIC SEAL | GLASS BEAD | N/A |

| ELECTRICAL | MECHANICAL | ENVIRONMENTAL |
|---|--|---|
| Nominal Impedance (Ohms) 50 | Interface Dimensions MIL-STD-348A, Fig. 310.2 | Temperature Rating -65°C to +165°C |
| Frequency Range (GHz) DC to 18.0 | Recommended Mating Torque 7 to 10 In-Lbs | Vibration MIL-STD-202, Method 204, Condition D |
| Volt Rating (VRMS MAX) @ Sea Level 335 | Mating Characteristics: | Shock MIL-STD-202, Method 213, Condition I |
| VSWR 1.10 + .010 f(GHz) | Insertion (MAX Lbs) 3.0 | Thermal Shock MIL-STD-202, Method 107, Condition C |
| Insertion Loss (dB MAX) .15√f(GHz) | Withdrawal (MIN Oz) 1.0 | Moisture Resistance MIL-STD-202, Method 106 |
| RF Leakage (dB MIN) -90 | Force to Engage and Disengage (In-Lbs MAX) 2.0 | Corrosion - MIL-STD-202, Method 101, Condition B, 5% salt spray |
| Corona, 70,000 Ft (VRMS MIN) 250 | Center Contact Captivation | |
| Dielectric Withstanding Voltage (VRMS MIN) @ Sea Level 1000 | Axial (Lbs) 6.0 | |
| Contact Resistance (Milliohms MAX) | Radial (In-Oz) N/A | |
| Center Contact 12.0 | Seal: | |
| Outer Contact 4.0 | Hermetic: 1 x 10 ⁻⁷ cc/sec | |
| RF High Potential @ Sea Level (VRMS MIN @ 5 MHz) 670 | Weatherproof: 30 psi MAX | |
| I.R.(Megohms MIN) 5000 | Mounting Seal | |
| | Weight (Grams) | |

| COMPONENT | MATERIAL | FINISH |
|--|---|--|
| UNLESS OTHERWISE SPECIFIED DIMENSIONS ARE IN INCHES TOLERANCE ON | DRAWN BY <i>M. Downs</i> DATE 11-03-91 | AMP Incorporated 140 Fourth Avenue Waltham, MA 02451-7599 |
| FRAC. DEC. ANGLES | CHECKED BY <i>A. Nelson</i> DATE 11/14/91 | |
| ± 1/64 ± .005 ± 1° | APPROVED BY <i>RAC</i> DATE 12/2/91 | |
| These drawings and specifications are the property of M/A-COM incorporated and shall not be reproduced or copied or used in whole or in part as the basis for the manufacture or sale of item(s) without written permission. | USE ASSY PROCEDURE | TITLE OSM BULKHEAD FEEDTHRU JACK TO JACK ADAPTER HERMETICALLY SEALED |
| | NO. AP. N/A | SIZE B CODE IDENT NO. 26805 2084-1100-28 REV 01 ₂ |
| | | SCALE 3 : 1 SHEET 1 OF 1 |