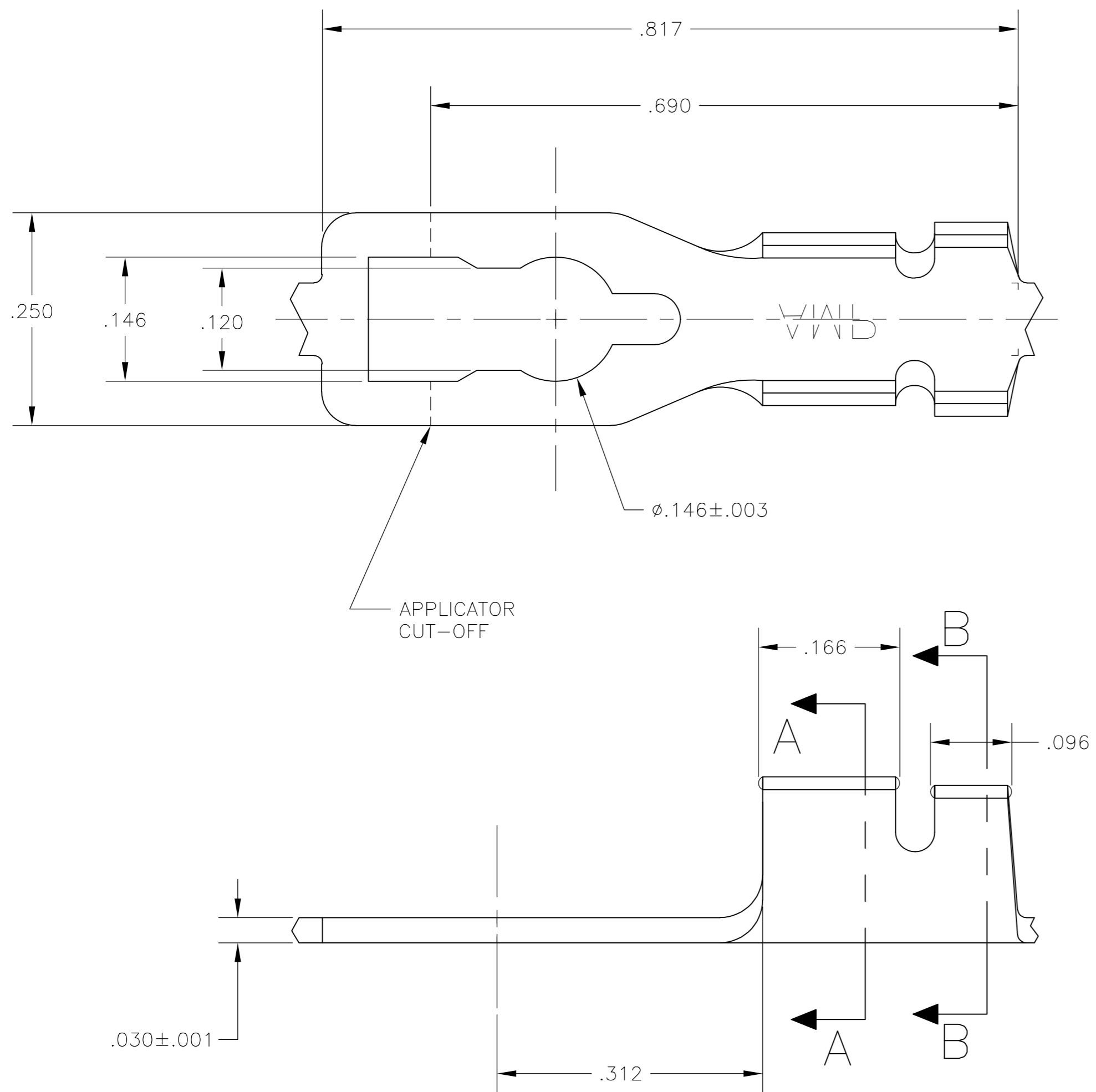
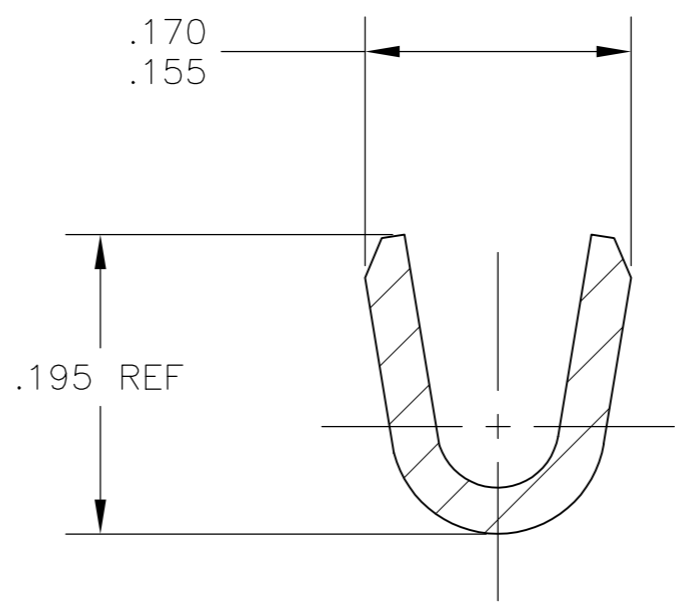


THIS DRAWING IS UNPUBLISHED. RELEASED FOR PUBLICATION
 © COPYRIGHT BY TYCO ELECTRONICS CORPORATION. ALL RIGHTS RESERVED.

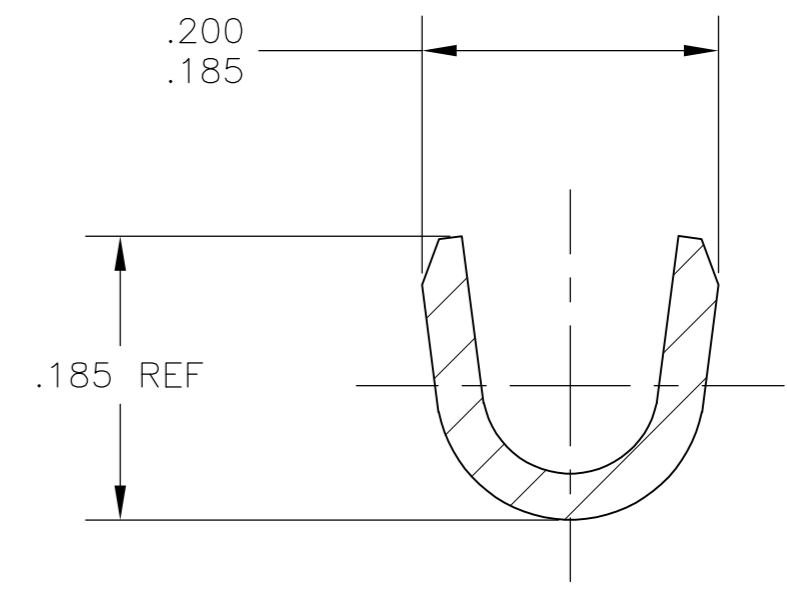
LOC		DIST		REVISIONS			
P	LTR	DESCRIPTION		DATE	DWN	APVD	
AF	50	E		REVISED PER ECR-10-006099	09JUL10	HMR PD	



1. CONTINUOUS STRIP ON REELS.
2. WIRE RANGE: #18-#14 AWG.
3. INSULATION RANGE: .100-.140 DIA.



SECTION A-A



SECTION B-B

63268

63268-1
PART NUMBER

THIS DRAWING IS A CONTROLLED DOCUMENT.		DWN 03AUG2004 MICHAEL S. FEHER	Tyco Electronics Corporation Harrisburg, Pa 17105-3608
DIMENSIONS: INCHES		CHK 03AUG2004 DONALD F. DECKER	
TOLERANCES UNLESS OTHERWISE SPECIFIED:		APVD 03AUG2004 DONALD F. DECKER	NAME
0 PLC ± - 1 PLC ± - 2 PLC ± - 3 PLC ± .015 4 PLC ± - ANGLES ± 1°		PRODUCT SPEC	TERMINAL, SPRING SPADE,
MATERIAL H04 BRASS		FINISH TIN	SIZE A2
		WEIGHT -	CAGE CODE 00779
		CUSTOMER DRAWING	DRAWING NO. C=63268
		SCALE 10:1	SHEET 1 OF 1
			REV E