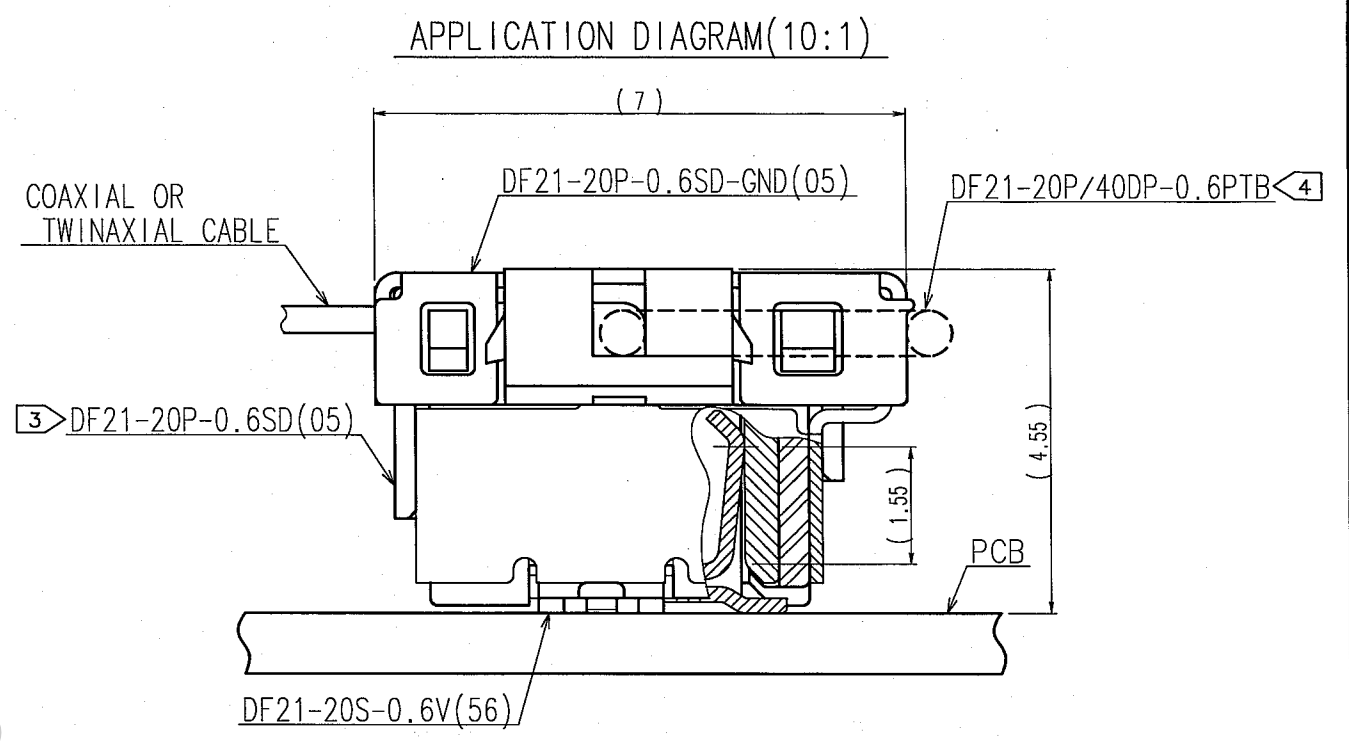
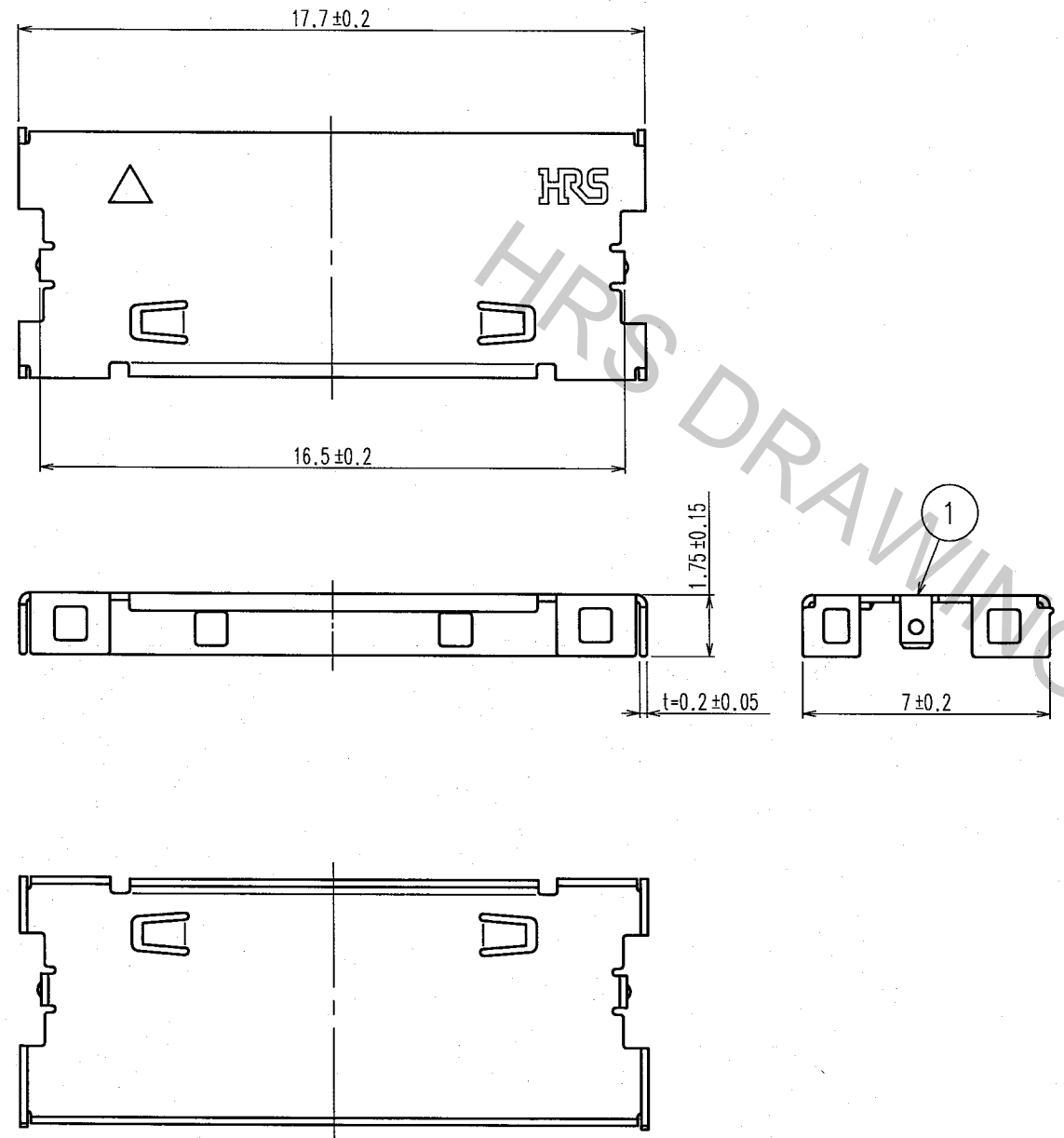


Apr.1.2017 Copyright 2017 HIROSE ELECTRIC CO., LTD. All Rights Reserved.

5				6				7				8			
COUNT	DESCRIPTION OF REVISIONS	BY	CHKD	DATE	COUNT	DESCRIPTION OF REVISIONS	BY	CHKD	DATE	COUNT	DESCRIPTION OF REVISIONS	BY	CHKD	DATE	
△				..	△				..	△				..	
△				..	△				..	△				..	
△				..	△				..	△				..	



- NOTES 1: MINIMUM ORDERING QUANTITY IS ONE PACKAGE.(CONTAINING 100 PCS)
 2: TWINAXIAL CABLE CAN NOT BE USED BETWEEN 4 TO 5 POS, 8 TO 9 POS, 12 TO 13 POS, 16 TO 17 POS, WHERE MAIN PLUG HAS BOSS.
 3: MAIN PLUG(DF21-20P-0.6SD) SOLD SEPARATELY. INSTALL THIS SHELL AFTER CABLE ASSEMBLY.
 4: PULL-TAB(DF21-20P/40DP-0.6PTB) OPTIONAL. SOLD SEPARATELY.

TO

NO.	MATERIAL	FINISH, REMARKS	NO.	MATERIAL	FINISH, REMARKS
1	STAINLESS STEEL	Surface: Tin-Copper Plated 1μ m min. Under Plating: Nickel Plated 0.1μ m min.			

CODE NO. (OLD) CL	DRAWN S. Ono 06.02.03	DESIGNED S. Ono 06.02.03	CHECKED H. Umehara 06.02.04	APPROVED T. Ono 06.02.06	RELEASED ..
----------------------	-----------------------------	--------------------------------	-----------------------------------	--------------------------------	----------------

SCALE 5 : 1	DRAWING NO. EDC3-163694-01	PART NO. DF21-20P-0.6SD-GND(05)
UNITS mm	HRS HIROSE ELECTRIC CO., LTD	CODE NO. CL687-2500-6-05

