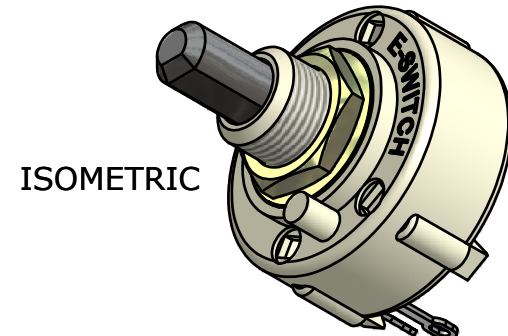
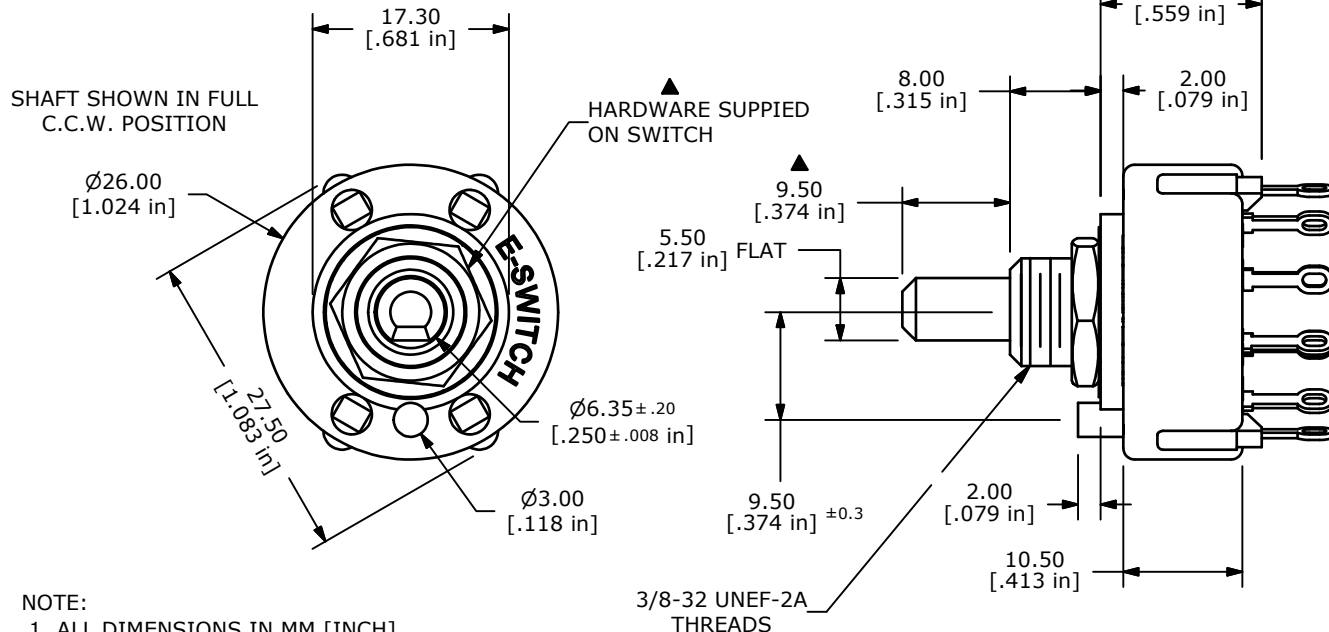
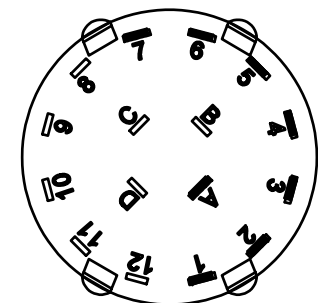


CONTACT CONFIGURATION
TIMING (BBM) NON-SHORTING



ISOMETRIC



- NOTE:
1. ALL DIMENSIONS IN MM [INCH].
 2. GENERAL TOLERANCE: X.X=± 0.4
X.XX=± 0.25
 3. TERM. NOS. FOR REFERENCE ONLY.
 - ▲ 4. CONTACT MATERIAL: SILVER
 5. CONTACT RATING: 0.3A @ 125VAC
 6. CONTACT RATING: (NON-SWITCHING) 5A
 7. OPERATING FORCE 800± 300gm-cm
 8. OPERATING TEMP: -30°C TO 85°C
 - ▲ 9. CIRCUIT SP: 7 POSITION 30° INDEX.
 10. DIELECTRIC STRENGTH: 500VAC FOR 1 MIN.
 - ▲ 11. HARDWARE SUPPLIED ON SWITCH:
(1) LOCKWASHER, (1) HEXNUT, AND (1) STOP RING B
 12. ▲ DENOTES CRITICAL PARAMETER.
 13. 2002/95/EC (ROHS) COMPLIANT



B	19363	UPDATED NOTES	10/19/10	BMA
A	18224	RELEASED FOR PRODUCTION	8/28/08	BLR
REV	PCR NO	DESCRIPTION	DATE	BY

TITLE KC17A9.501NLS				
SCALE	DATE	DR	DWG	REV
1.5:1	8/28/2008	BLR	G527968	B

THE INFORMATION CONTAINED IN THIS DOCUMENT IS PROPRIETARY TO E-SWITCH AND IS NOT TO BE COPIED OR TRANSFERRED