

AMS101 Evaluation Card

User Guide

UG886 (v1.3) November 6, 2013



DISCLAIMER

The information disclosed to you hereunder (the "Materials") is provided solely for the selection and use of Xilinx products. To the maximum extent permitted by applicable law: (1) Materials are made available "AS IS" and with all faults. Xilinx hereby DISCLAIMS ALL WARRANTIES AND CONDITIONS, EXPRESS, IMPLIED, OR STATUTORY, INCLUDING BUT NOT LIMITED TO WARRANTIES OF MERCHANTABILITY, NON-INFRINGEMENT, OR FITNESS FOR ANY PARTICULAR PURPOSE; and (2) Xilinx shall not be liable (whether in contract or tort, including negligence, or under any other theory of liability) for any loss or damage of any kind or nature related to, arising under, or in connection with, the Materials (including your use of the Materials), including for any direct, indirect, special, incidental, or consequential loss or damage (including loss of data, profits, goodwill, or any type of loss or damage suffered as a result of any action brought by a third party) even if such damage or loss was reasonably foreseeable or Xilinx had been advised of the possibility of the same. Xilinx assumes no obligation to correct any errors contained in the Materials or to notify you of updates to the Materials or to product specifications. You may not reproduce, modify, distribute, or publicly display the Materials without prior written consent. Certain products are subject to the terms and conditions of Xilinx's limited warranty, please refer to Xilinx's Terms of Sale which can be viewed at <http://www.xilinx.com/legal.htm#tos>; IP cores may be subject to warranty and support terms contained in a license issued to you by Xilinx. Xilinx products are not designed or intended to be fail-safe or for use in any application requiring fail-safe performance; you assume sole risk and liability for use of Xilinx products in such critical applications, please refer to Xilinx's Terms of Sale which can be viewed at <http://www.xilinx.com/legal.htm#tos>.

Automotive Applications Disclaimer

XILINX PRODUCTS ARE NOT DESIGNED OR INTENDED TO BE FAIL-SAFE, OR FOR USE IN ANY APPLICATION REQUIRING FAIL-SAFE PERFORMANCE, SUCH AS APPLICATIONS RELATED TO: (I) THE DEPLOYMENT OF AIRBAGS, (II) CONTROL OF A VEHICLE, UNLESS THERE IS A FAIL-SAFE OR REDUNDANCY FEATURE (WHICH DOES NOT INCLUDE USE OF SOFTWARE IN THE XILINX DEVICE TO IMPLEMENT THE REDUNDANCY) AND A WARNING SIGNAL UPON FAILURE TO THE OPERATOR, OR (III) USES THAT COULD LEAD TO DEATH OR PERSONAL INJURY. CUSTOMER ASSUMES THE SOLE RISK AND LIABILITY OF ANY USE OF XILINX PRODUCTS IN SUCH APPLICATIONS.

© Copyright 2012–2013 Xilinx, Inc. Xilinx, the Xilinx logo, Artix, ISE, Kintex, Spartan, Virtex, Vivado, Zynq, and other designated brands included herein are trademarks of Xilinx in the United States and other countries. All other trademarks are the property of their respective owners.

Revision History

The following table shows the revision history for this document.

Date	Version	Revision
07/16/2012	1.0	Initial Xilinx release.
10/19/2012	1.1	Section AMS101 Evaluation Card Overview, page 7 explains that reference designs are now supplied for the ZC702, KC705, and VC707 base boards, and how to download the designs. Cable terminology changed to <i>Standard-A plug to Mini-B plug USB cable</i> and <i>Standard-A plug to Micro-B plug USB cable</i> , and these two cables are added to the kit. Board drawings and photographs in Figure 1-2 and Figure 1-2 were updated. Procedures in Hardware and Software Setup, page 12 were updated. Figure 2-4 , Figure 2-5 , and Figure 2-9 were updated. The AMS102 characterization card was removed. In Analyze Internal Voltage and Temperature Sensors, page 24 , <i>Open</i> is replaced with <i>Select</i> . Figure 3-4 and Figure 3-6 were replaced. In Appendix B, Required Jumper Settings for Base Boards , a note was added that the triangle represents pin 1. Jumper J65 on the ZC702 board changed to <i>In place</i> . Some references in the book and in Appendix C, Additional Resources changed. Appendix D, Regulatory and Compliance Information now includes a link to the Declaration of Conformity and markings for waste electrical and electronic equipment (WEEE), restriction of hazardous substances (RoHS), and CE compliance.

Date	Version	Revision
02/14/2013	1.2	<p>Chapter 1, AMS101 Evaluation Card Overview: Instances of <i>AMS101</i> evaluator tool were corrected to <i>AMS</i> evaluator tool. Added part HW-AMS101-G. Reference design files are now downloaded from www.xilinx.com/support/documentation/ams101_evaluation_card.htm. The AC701 board is now supported. The bullet with “AMS evaluator tool graphical user interface” was removed from section AMS101 Evaluation Card, page 7. Download information for the AMS evaluator tool graphical user interface is listed in the last bullet on page 7 and the bullet about “FPGA programming files...” was removed.</p> <p>Chapter 2, AMS101 Evaluation Card Quick Start: The onboard signal source is from a 16-bit dual DAC, page 11. In step 1, page 12, download information changed. In step 7, page 16, the AC701 kit and kit documentation references were added. Various changes were added to step 9, page 18. Added section Power Monitoring with XADC on AC701, page 24.</p> <p>Chapter 4, AMS Evaluator Tool: Decimation information and Table 4-2 were added on page 44.</p> <p>Appendix A, Targeted Design Platforms, Schematics, and Dynamic Performance Metric Calculation Methodology: AC701 was added to the Supported Targeted Design Platforms section.</p> <p>Appendix B, Required Jumper Settings for Base Boards: Added Jumper Settings for the AC701 Board, page 52.</p>
11/06/2013	1.3	<p>Updated for Vivado® Design Suite 2013.3. Procedures in step 7, page 16 were revised for the Vivado tool and the KC705 ZIP file name changed. Support for Zynq®-7000 ZC706 AP SoC was added in Jumper Settings for the ZC706 Board, page 52. Updated Appendix C, Additional Resources links. The link to the Declaration of Conformity, page 55 was updated.</p>

Table of Contents

Revision History	2
Chapter 1: AMS101 Evaluation Card Overview	
Overview	7
Chapter 2: AMS101 Evaluation Card Quick Start	
Quick Start	12
Run Key Performance Tests	21
Analyze Internal Voltage and Temperature Sensors.....	24
Power Monitoring with XADC on AC701	24
Chapter 3: AMS101 Evaluation Hardware	
Interfacing to the FPGA Base Board	30
Board Setup	31
Chapter 4: AMS Evaluator Tool	
XADC Configuration.....	38
XADC Performance Tests	41
AMS Demonstration	44
Appendix A: Targeted Design Platforms, Schematics, and Dynamic Performance Metric Calculation Methodology	
Supported Targeted Design Platforms	47
Schematics	47
Dynamic Performance Metric Calculation Methodology	49
Appendix B: Required Jumper Settings for Base Boards	
Jumper Settings for the KC705 Board	51
Jumper Settings for the VC707 Board	51
Jumper Settings for the ZC702 Board	51
Jumper Settings for the ZC706 Board	52
Jumper Settings for the AC701 Board	52
Appendix C: Additional Resources	
Xilinx Resources	53
Solution Centers	53
References	53

Appendix D: Regulatory and Compliance Information

Declaration of Conformity	55
Directives	55
Standards	55
Markings	56

AMS101 Evaluation Card Overview

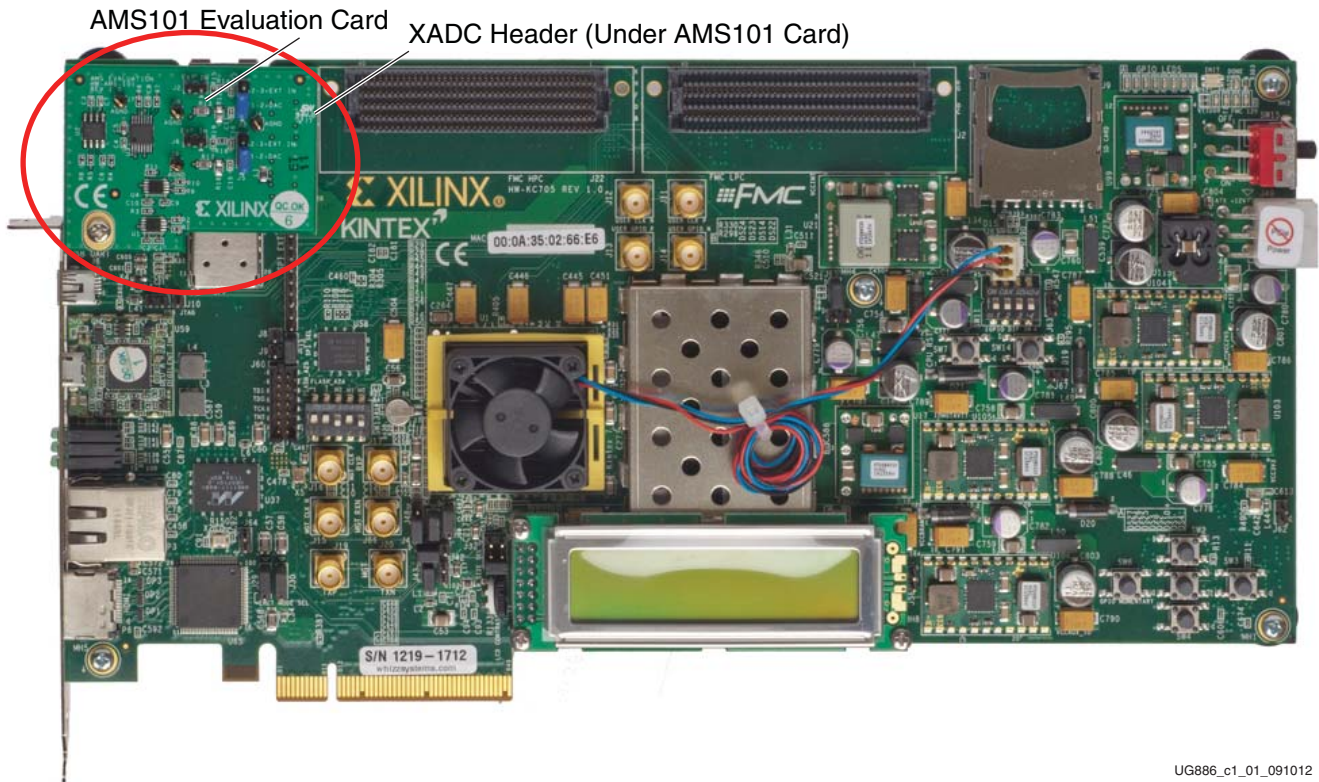
Overview

AMS101 Evaluation Card

The Xilinx 7 series FPGAs and Zynq-7000® All Programmable System on a Chip (AP SoC) each feature two 1 Mega-sample per second (MSPS), 12-bit, Xilinx analog-to-digital converters (XADCs) built into the device (FPGA or SoC). The Analog Mixed Signal (AMS) technology combines the XADC analog measurement with the device's logic for simple system monitoring to more signal processing-intensive tasks like linearization, calibration, oversampling, and filtering. The AMS101 evaluation card (part number HW-AMS101-G) provides an analog source to verify the XADC and AMS performance. The AMS101 evaluation card plugs into all Xilinx 7 series FPGA and Zynq-7000 AP SoC base boards. Reference designs are supplied for the ZC702, KC705, AC701, and VC707 base boards. Download these files from either the individual kit support pages or the [AMS101 Evaluation Card website](#). For convenience, the KC705 FPGA base board is used as the example in this document (see [Figure 1-1](#)). The KC705 evaluation kit includes hardware and soft content required to evaluate XADC and to determine how it can be useful in the end system.

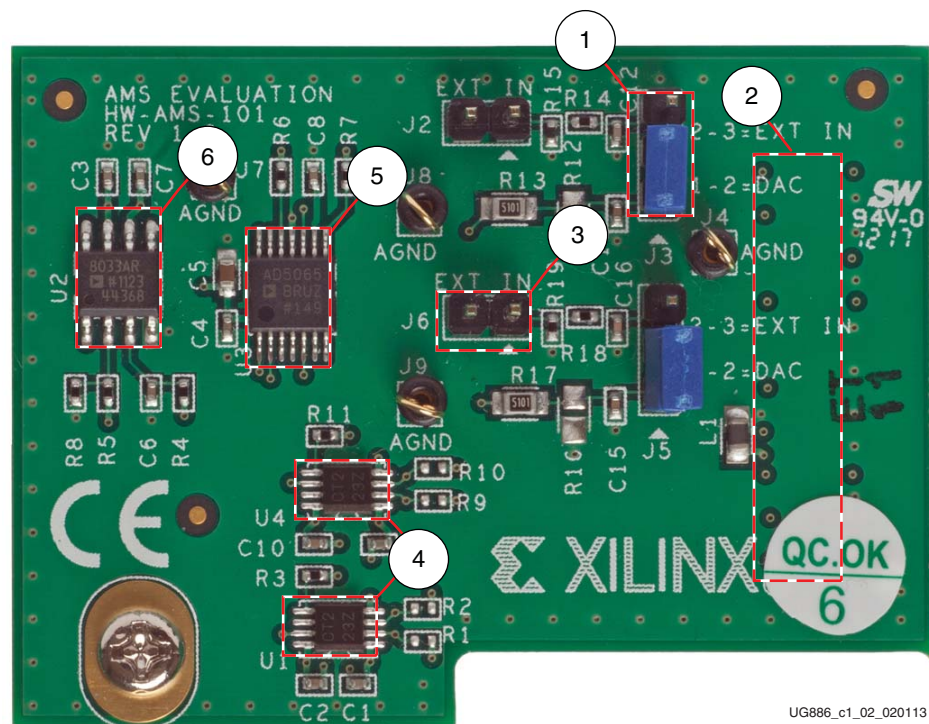
To evaluate the Xilinx Analog Mixed Signal (AMS) capability, these items from the kit are needed:

- Access to the XADC header (see [Figure 1-1](#))
- AMS101 evaluation card (see [Figure 1-2](#) and [Table 1-1](#) for a description of features)
- Two USB cables (1x Standard-A plug to Mini-B plug USB cable and 1x Standard-A plug to Micro-B plug USB cable for download and debug)
- USB-UART drivers
- Download AMS reference design files from the [AMS101 Evaluation Card website](#).
- Download AMS evaluator tool graphical user interface (*7 Series FPGA and Zynq-7000 AP SoC AMS Evaluator Installer for AMS Targeted Reference Design*—see [Figure 1-3](#)).



UG886_c1_01_091012

Figure 1-1: KC705 Evaluation Board with the AMS101 Evaluation Card Installed

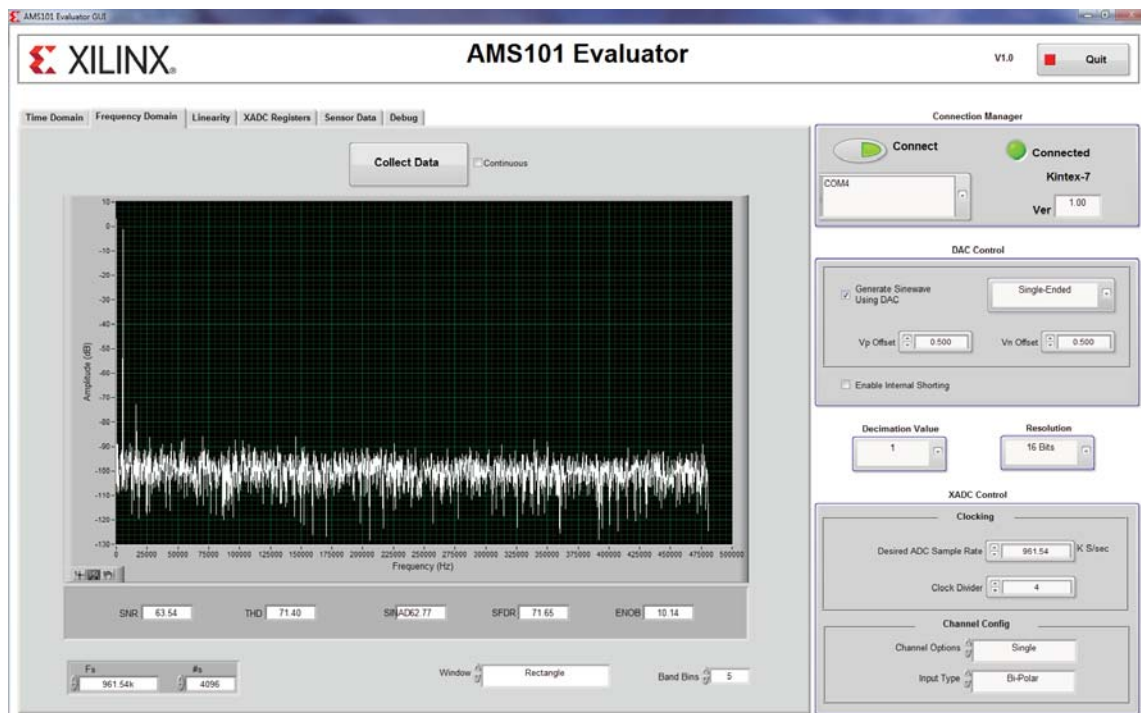


UG886_c1_02_020113

Figure 1-2: AMS101 Evaluation Card Features

Table 1-1: AMS101 Evaluation Card Features

Callout	Component Description
1	Jumpers to select DAC or external signal source.
2	20-pin connector to the XADC header on the FPGA or AP SoC base board.
3	Pins allow for external analog input signals.
4	Digital I/O level translators.
5	16-bit DAC sets analog test voltage.
6	Reference buffer for DAC.



UG886_c1_03_092512

Figure 1-3: AMS Evaluator Tool GUI

AMS101 Evaluation Card Quick Start

To facilitate easy evaluation of key performance metrics of the XADC and AMS technology, Xilinx developed the AMS evaluation platform for all 7 series FPGA and Zynq-7000 AP SoC base boards. The AMS evaluation platform (Figure 2-1) enables key ADC performance metrics to be observed and evaluated. The remainder of this document describes in detail the hardware and software that comprise the AMS evaluation platform.

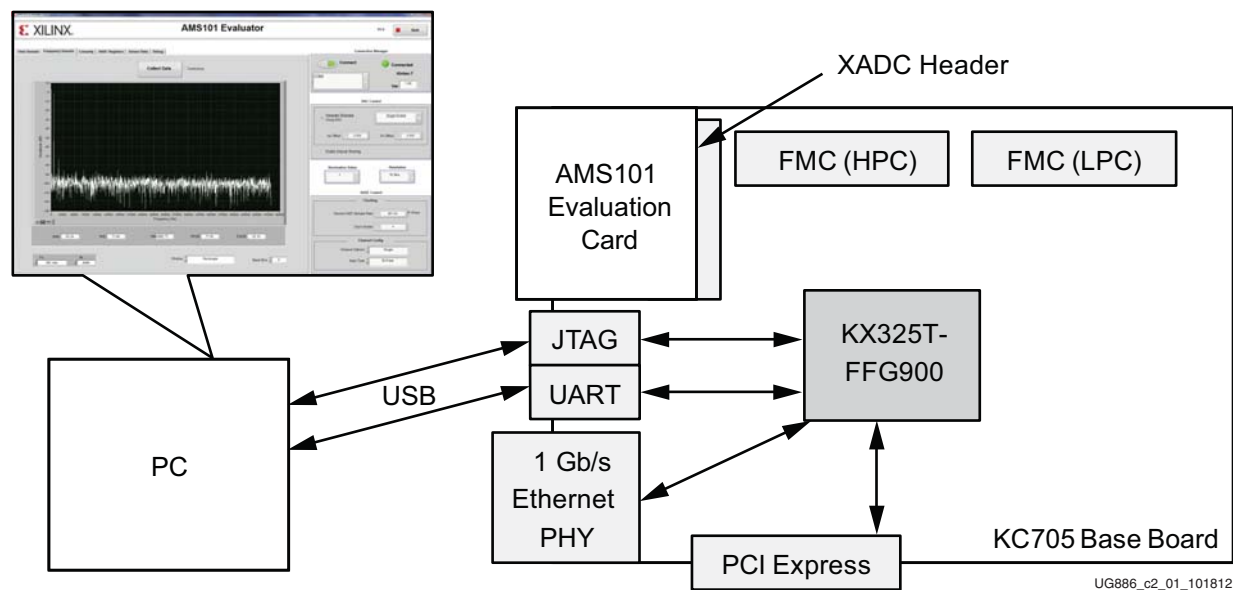


Figure 2-1: AMS Evaluation Platform

AMS Evaluation Platform Features

The AMS evaluation platform provides:

- A complete XADC and AMS evaluation solution
- An onboard signal source from a 16-bit dual DAC
- Configurable analog inputs
- An interactive GUI
- Interfaces for all the latest Xilinx FPGA or AP SoC base boards, including the KC705 Kintex-7 FPGA base board, as detailed in this document. (See the full list of supported base boards in [Appendix A](#)).

Each base board kit contains:

- One AMS101 evaluation card
- USB-UART drivers
- A base board *Getting Started Guide*

Quick Start

Eight steps are needed to get the AMS evaluation platform up and running. This chapter covers how to perform these steps as well as how to run key ADC performance tests after setup.

Hardware and Software Setup

1. Install the AMS Evaluator tool GUI.

Download the AMS Evaluator installer files (*7 Series FPGA and Zynq-7000 AP SoC AMS Evaluator Installer for AMS Targeted Reference Design*) from the [AMS101 Evaluation Card Support Page](#). Click the `setup.exe` file to install the National Instruments LabVIEW RunTime Engine needed to host the AMS Evaluator tool.

The GUI itself has been built using National Instruments LabVIEW 2011 software. To enable use of the GUI without the need for a LabVIEW license, Xilinx has bundled the LabVIEW run-time engine with the GUI installer. During the installation process, the run time engine is installed on the PC.

2. Connect the FPGA base board.

Ensure that the FPGA base board power switch (e.g., SW15 on the KC705 base board) is in the OFF position. [Figure 2-2](#) shows the position of the power switch on the board.

3. Connect the host PC to the UART port with the Standard-A plug to Mini-B plug USB cable. Also connect the Standard-A plug to Micro-B plug USB cable to the JTAG port. See the corresponding photo in the *Getting Started Guide* for each particular base board.

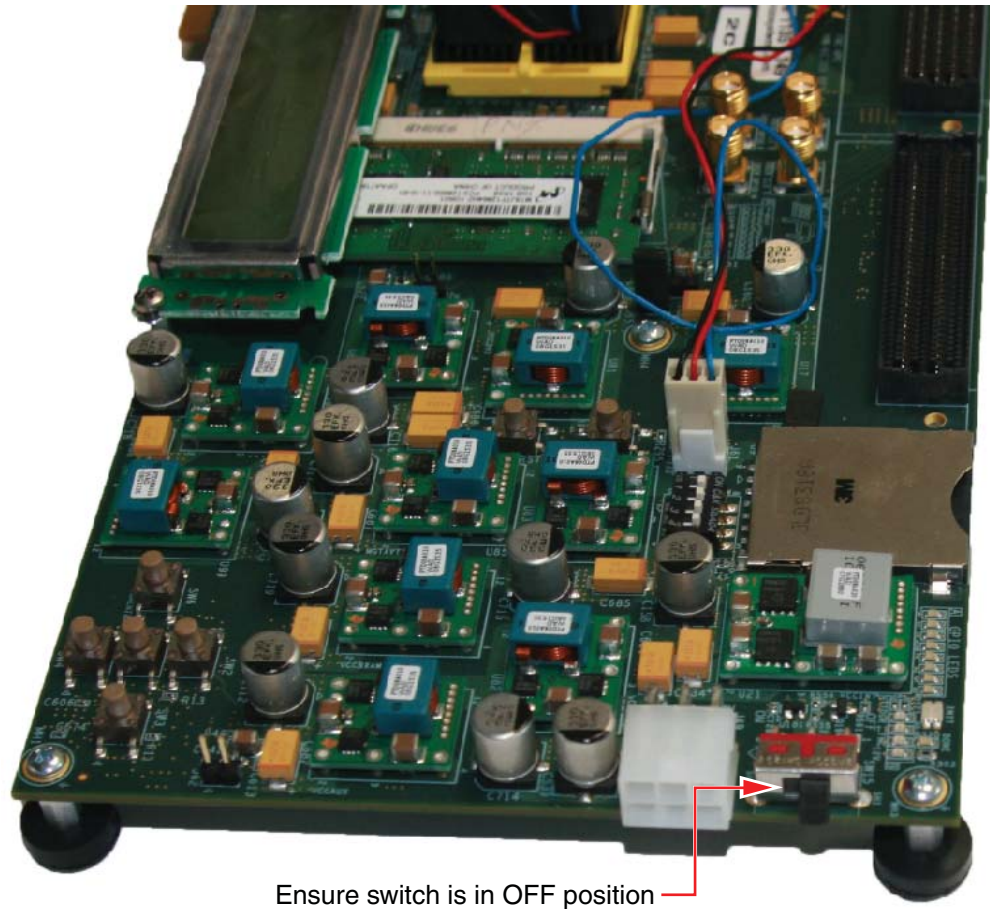
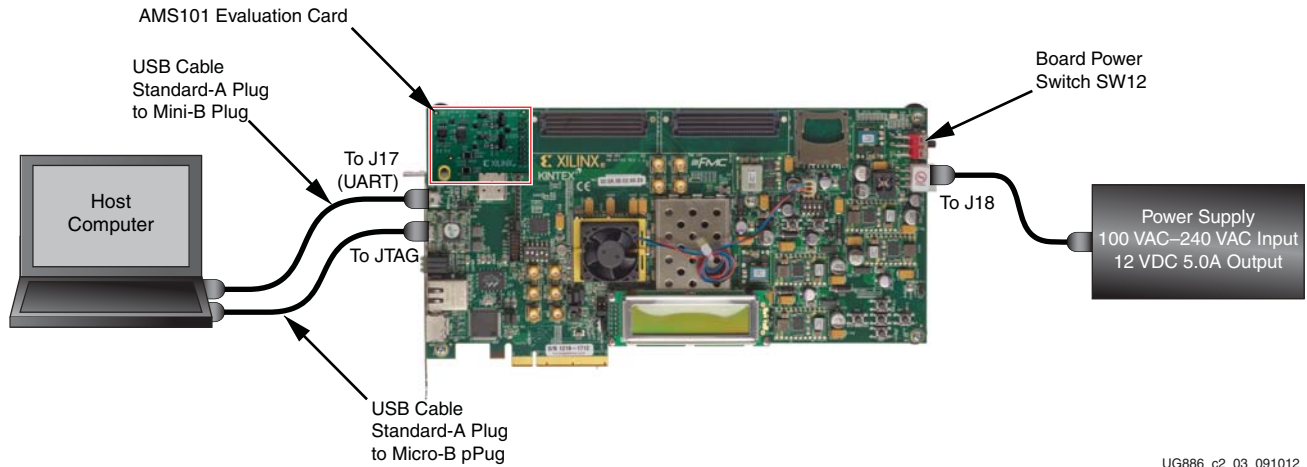


Figure 2-2: Power Switch on the FPGA Base Board

Three connections are required for the FPGA base board: power, the USB-UART connection to the PC, and the JTAG Standard-A plug to Micro-B plug USB programming cable. [Figure 2-3](#) shows how to connect these on the KC705 base board.

Caution! Do not turn on the power switch until [step 6, page 16](#).

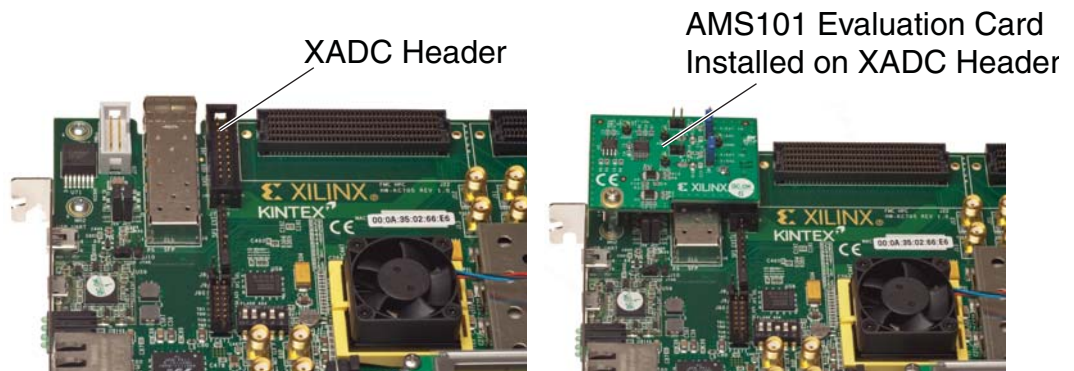


UG886_c2_03_091012

Figure 2-3: FPGA Base Board Connectivity

4. Configure the FPGA base board jumper settings as listed in [Appendix B, Required Jumper Settings for Base Boards](#).
5. Connect the AMS101 evaluation card to the XADC header on the base board.

The AMS101 evaluation card connects to the FPGA base board by plugging the card into the XADC header on the base board. The AMS101 evaluation card connector and XADC header socket are keyed to align properly. Pin 1 on the XADC header needs to connect to pin 1 of the 20-pin connector on the AMS101 evaluation card. [Figure 2-4](#) shows this connection.

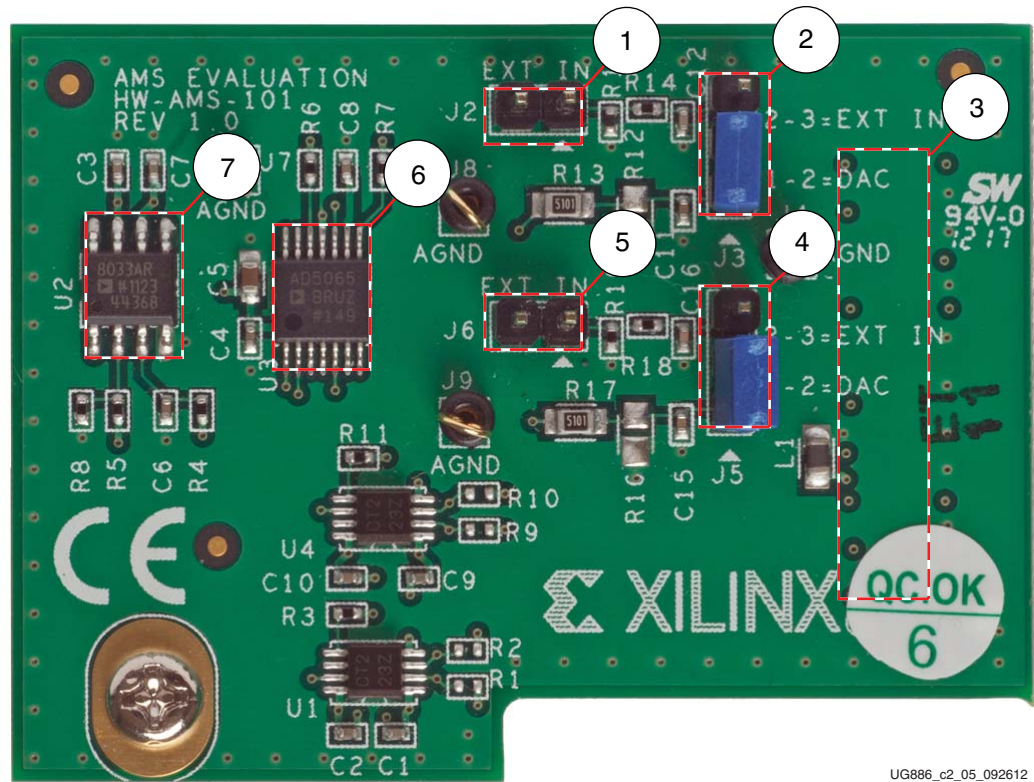


UG886_c2_04_101812

Figure 2-4: AMS101 Evaluation Card Installed on the Base Board XADC Header

Ensure that all the jumper settings are correct on the AMS101 evaluation card. Figure 2-5 shows an example of jumpers J3 and J5 (DACs enabled). Table 2-1 explains additional jumpers.

Note: The image in Figure 2-5 is for reference only and might not reflect the current revision of the board.



UG886_c2_05_092612

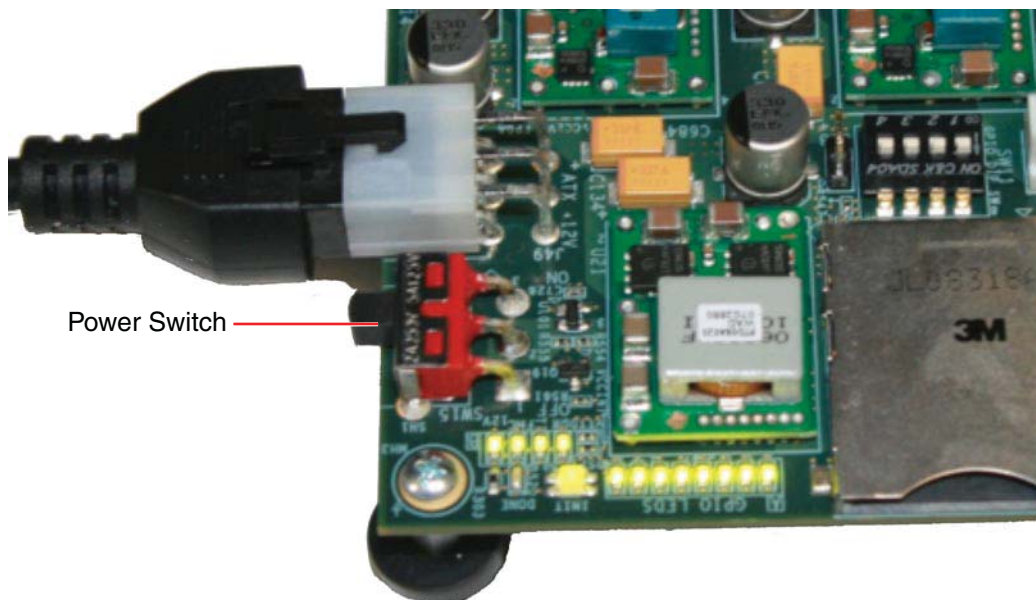
Figure 2-5: AMS101 Evaluation Card Jumper Configuration

Table 2-1: AMS101 Evaluation Card Jumper Configuration Notes

Callout	Reference Designator	Component Description	Notes	Schematics
1	J2	Jumper	External signal source to V_P positive analog input.	Figure A-2, page 49
2	J3	Jumper	1-2 selects DAC signal source. 2-3 selects external input source on J2.	Figure A-2, page 49
3		Connector	20-pin connector to XADC header on FPGA base board.	Figure A-2, page 49
4	J5	Jumper	1-2 selects DAC signal source. 2-3 selects external input source on J6.	Figure A-2, page 49
5	J6	Jumper	External signal source to V_N negative analog input.	Figure A-2, page 49
6		DAC	16-bit DAC sets analog test voltage.	Figure A-1, page 48
7		Amplifier	Reference buffer for DAC.	Figure A-1, page 48

6. Power up the FPGA base board.

The power switch can now be put in the ON position (switch toward the power plug). [Figure 2-6](#) shows the location of the power switch. It also shows the LEDs illuminated on the FPGA base board. This should occur directly after the FPGA base board switch is flipped into the ON position. A few seconds after power-up, the DONE LED should illuminate. At this stage, hardware connection is complete.

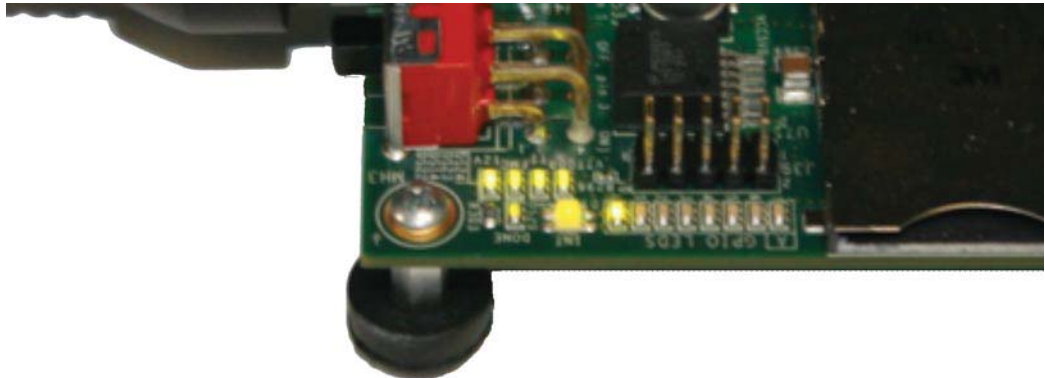


UG886_c2_06_071012

Figure 2-6: Turning On the FPGA Base Board Power

7. Download the design to the FPGA. See the individual kit (AC701, ZC702, KC705, or VC707) Getting Started Guides or the *7 Series FPGA AMS Targeted Reference Design User Guide* (UG960) [[Ref 1](#)], for more specific instructions on downloading the design.
For the AMS101 evaluation card to function, the FPGA needs to be programmed with the appropriate design. To do this, download the design to the FPGA:
 - a. Open the Vivado® Design Suite. Here is one example path for Vivado tools:
Start menu/Xilinx Design Tools/Vivado 2013.3/Vivado 2013.3
 - b. Create a Vivado Project.
 - c. Open a Hardware Session.
 - d. Open a new Hardware Target and run through the wizard.
 - e. Open `AMS_KC705_bitstream.bit` from the `rdf0280-ams101-kc705-trd-2013-3.zip` file.

The LEDs on the FPGA base board should light up as the design is downloading. [Figure 2-7](#) shows an example of the LEDs lit up after the KC705 board is programmed.



UG886_c2_07_071012

Figure 2-7: LEDs after Programming the FPGA with the Design

8. Run the AMS101 evaluator LabVIEW GUI executable file.

If the AMS Evaluator tool GUI was successfully installed, an icon should be displayed on the desktop and in the Windows start menu (see [Figure 2-8](#)). To open the AMS Evaluator tool GUI, click the red Xilinx X icon. The GUI shown in [Figure 2-9](#) should appear.

Note: Do not press anything on the GUI until [step 9](#) is performed.



UG886_c2_08_091012

Figure 2-8: AMS Icon

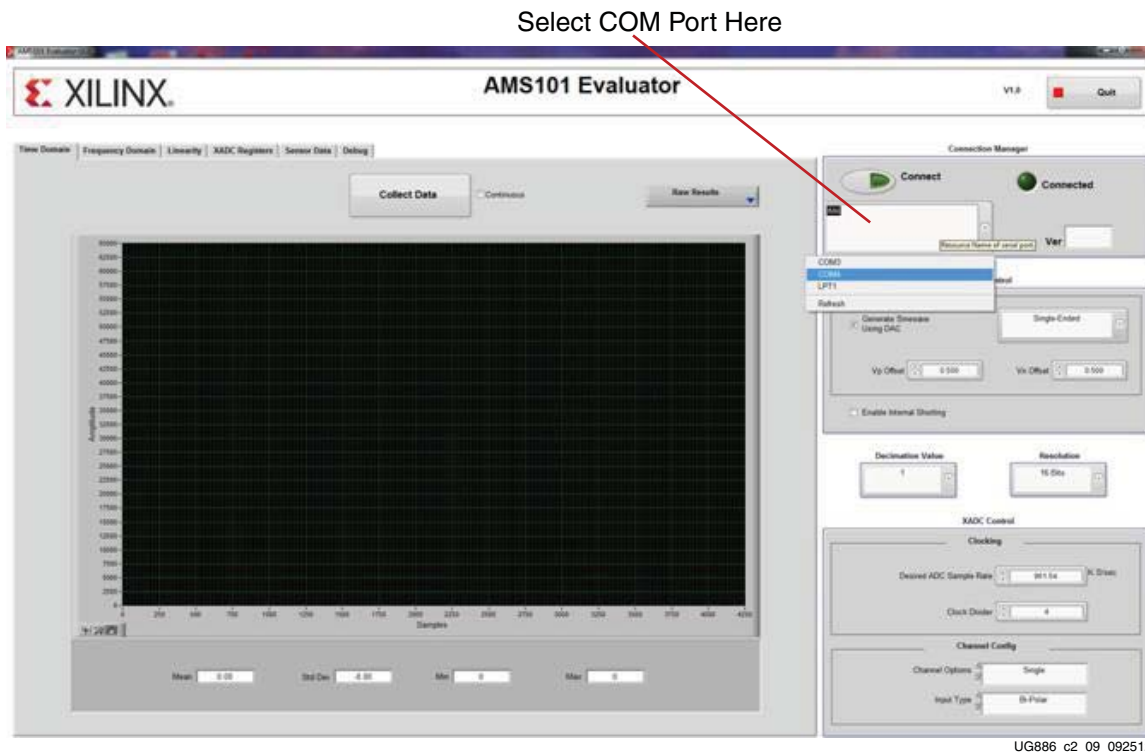


Figure 2-9: AMS Evaluator Tool on Start-Up

9. Connect to the UART port as detailed in the appropriate FPGA/processor base board Getting Started Guide:
 - *Kintex-7 FPGA KC705 Evaluation Kit Getting Started Guide* (UG883) [Ref 2]
 - *Getting Started with the Virtex-7 FPGA VC707 Evaluation Kit* (UG848) [Ref 3]
 - *Zynq-7000 All Programmable SoC: ZC702 Evaluation Kit and Video and Imaging Kit Getting Started Guide* (UG926) [Ref 4]
 - *Artix-7 FPGA AC701 Evaluation Kit Getting Started Guide* (UG967) [Ref 5]

Set the USB-UART connection to a known port in the Device Manager as follows:

- Right-click **My Computer** and select **Properties**.
- Select the **Hardware** tab. Click the **Device Manager** button.
- Find and right-click the Silicon Labs device in the list. Then select **Properties**.
- Click the **Port Settings** tab and the **Advanced...** button.
- Select the COM port that corresponds to **Silicon Labs CP210x USB to UART Bridge** (see Figure 2-10).

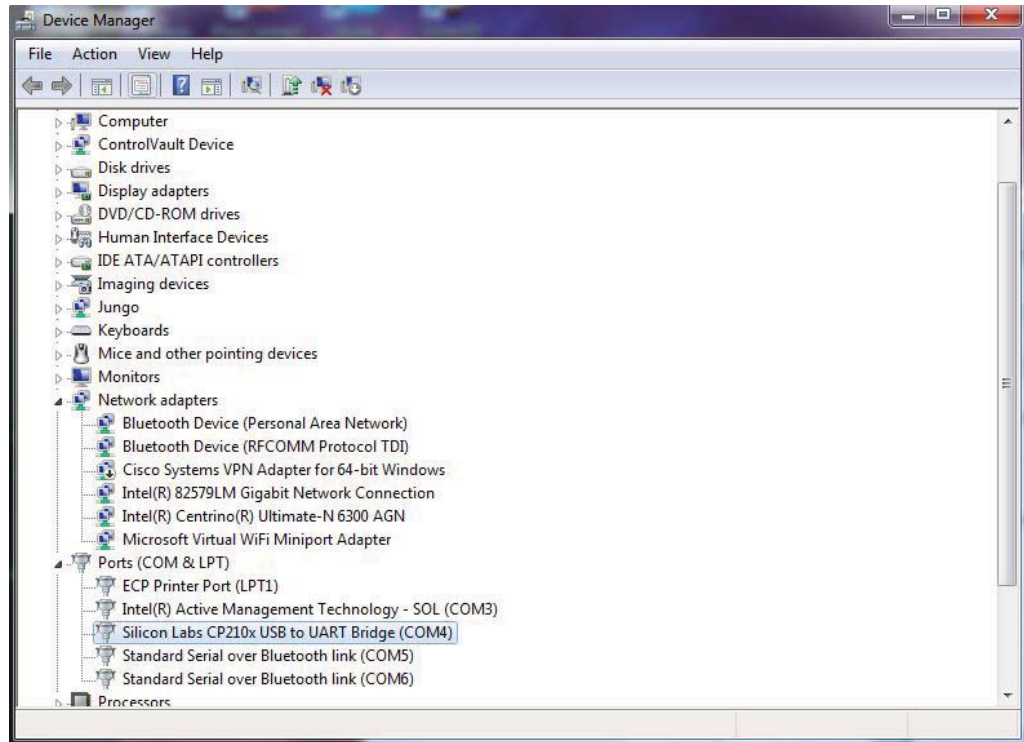


Figure 2-10: UART-USB Port in Device Manager

Select the appropriate COM port from the pull-down menu on the GUI as show in [Figure 2-11](#). Then click the **Connect** button. After the AMS Evaluator tool is connected, the kit name is displayed below the green **Connected** circle. If the AMS Evaluator tool is unable to connect, be sure the correct COM port is selected and click refresh.

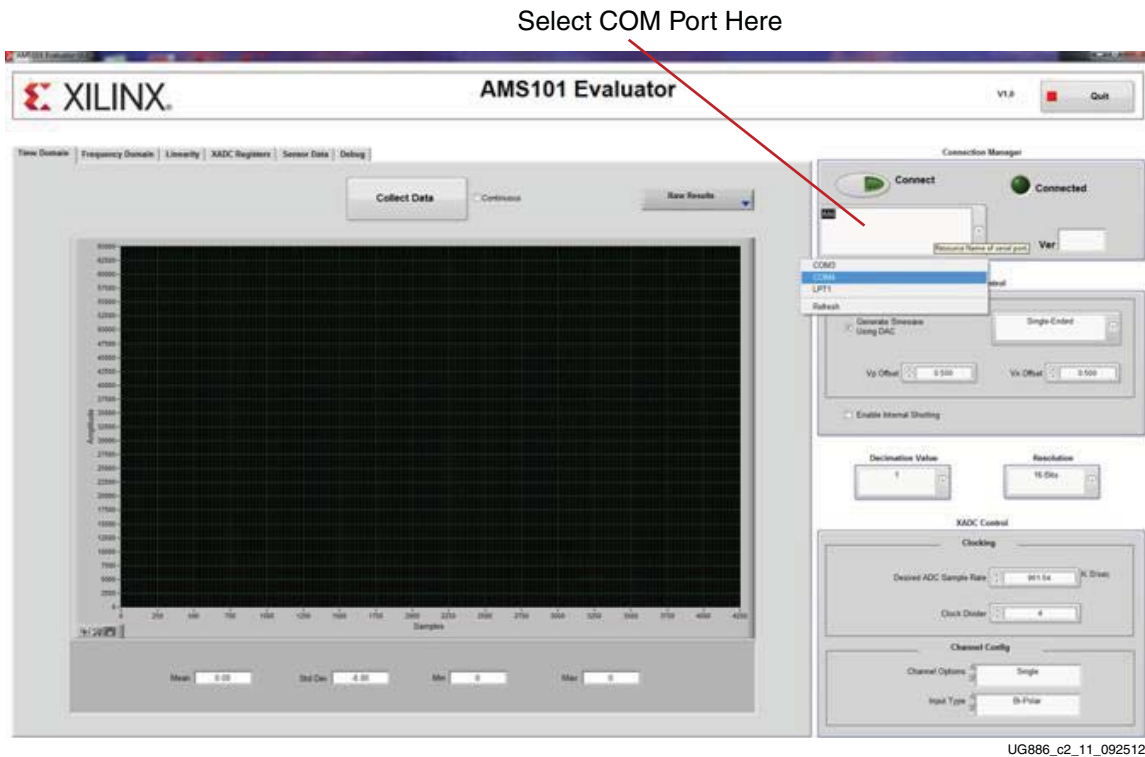


Figure 2-11: AMS Evaluator Tool COM Port Selection

Run Key Performance Tests

All of the software and hardware should be configured and running. The AMS101 evaluation card can now be used to perform measurement tests on the XADC.

Collect Time Domain Data

To collect time domain data, press the **Collect Data** button shown in [Figure 2-12](#). A sine wave should display on the screen. This sine wave has been generated by the digital-to-analog converter (DAC) on the AMS101 evaluation card and passed through to the XADC inputs where it was digitized.

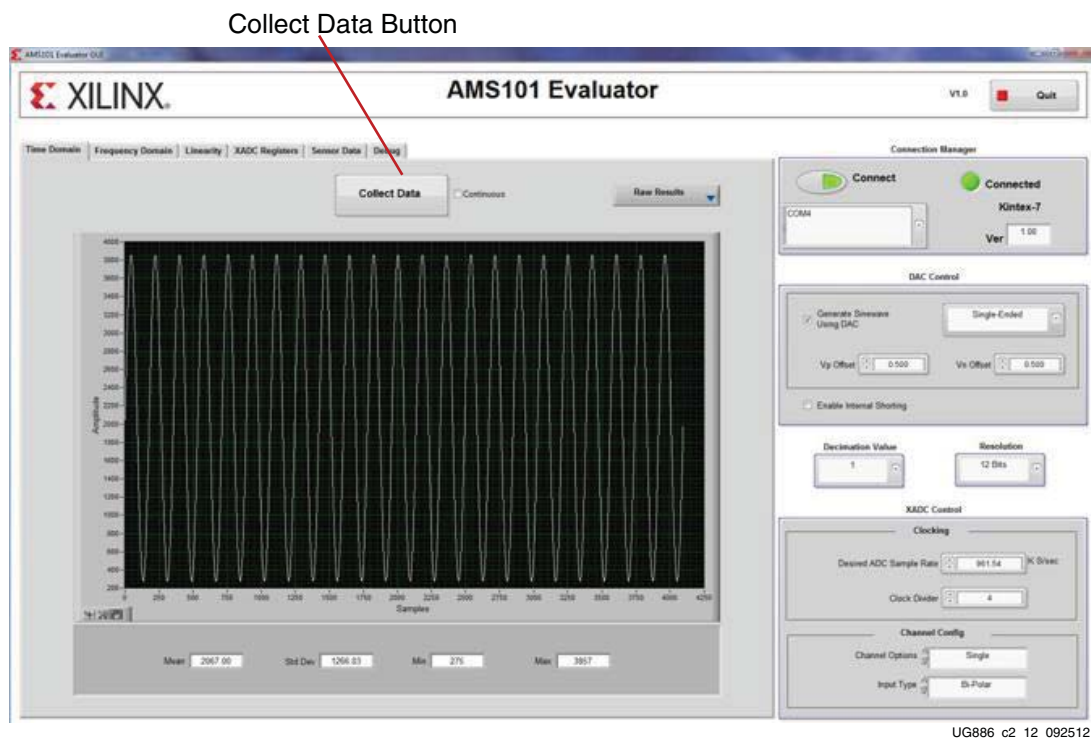
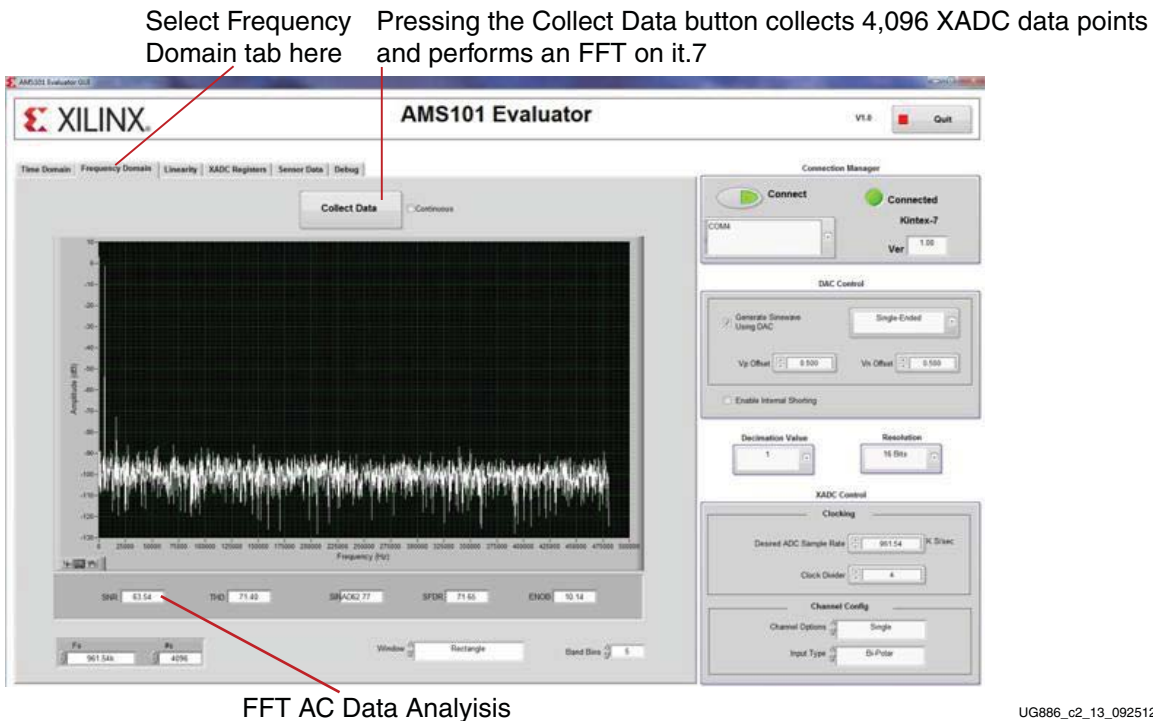


Figure 2-12: Run-Time Domain Data Capture

Perform Fast Fourier Transform Analysis

To analyze the performance of the XADC in the frequency domain, select the **Frequency Domain** tab (see [Figure 2-13](#)). When selected, a Fast Fourier Transform (FFT) is performed on the XADC data just viewed in the time domain. The signal-to-noise ratio, total harmonic distortion, effective number of bits (ENOB), and other AC parameters are calculated and displayed in the data panel below the FFT plot as shown in [Figure 2-13](#). A new data capture from the XADC can be collected by pressing the **Collect Data** button.



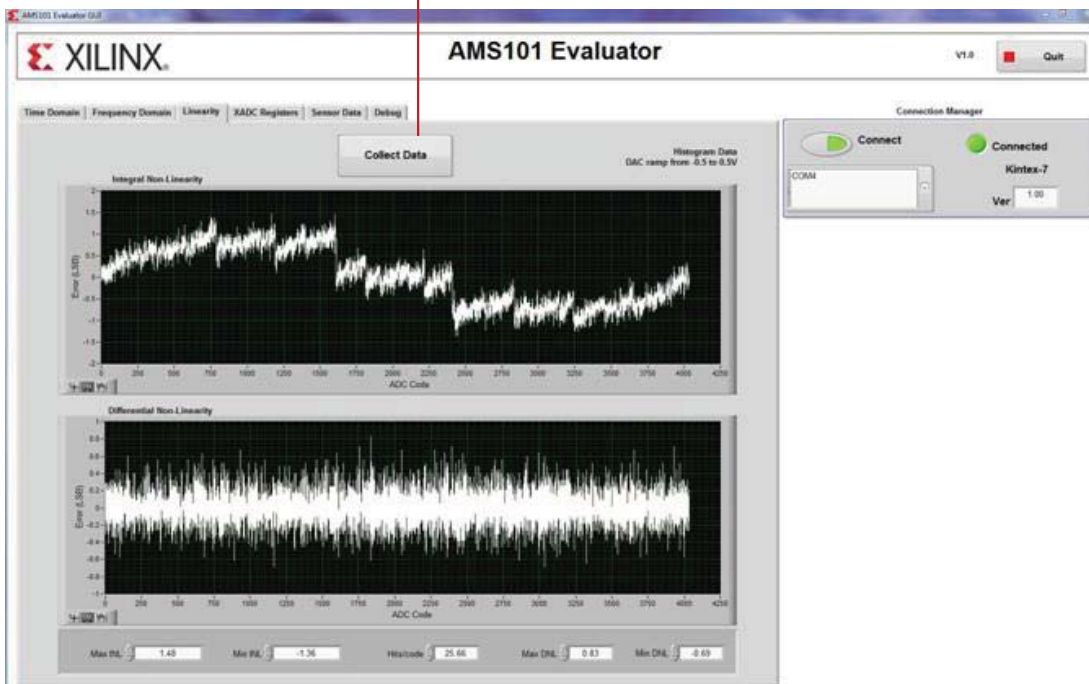
UG886_c2_13_092512

Figure 2-13: Frequency Domain Analysis and Data Capture

Perform a Linearity Test

To analyze the linearity of the XADC, select the **Linearity** tab and click the **Collect Data** button. After a short wait, both the integral and differential non-linearity data is displayed on two separate plots along with the minimum and maximum values at the bottom of the screen as shown in [Figure 2-14](#).

Perform Linearity Test and Initiate Analog Ramp Output at DAC

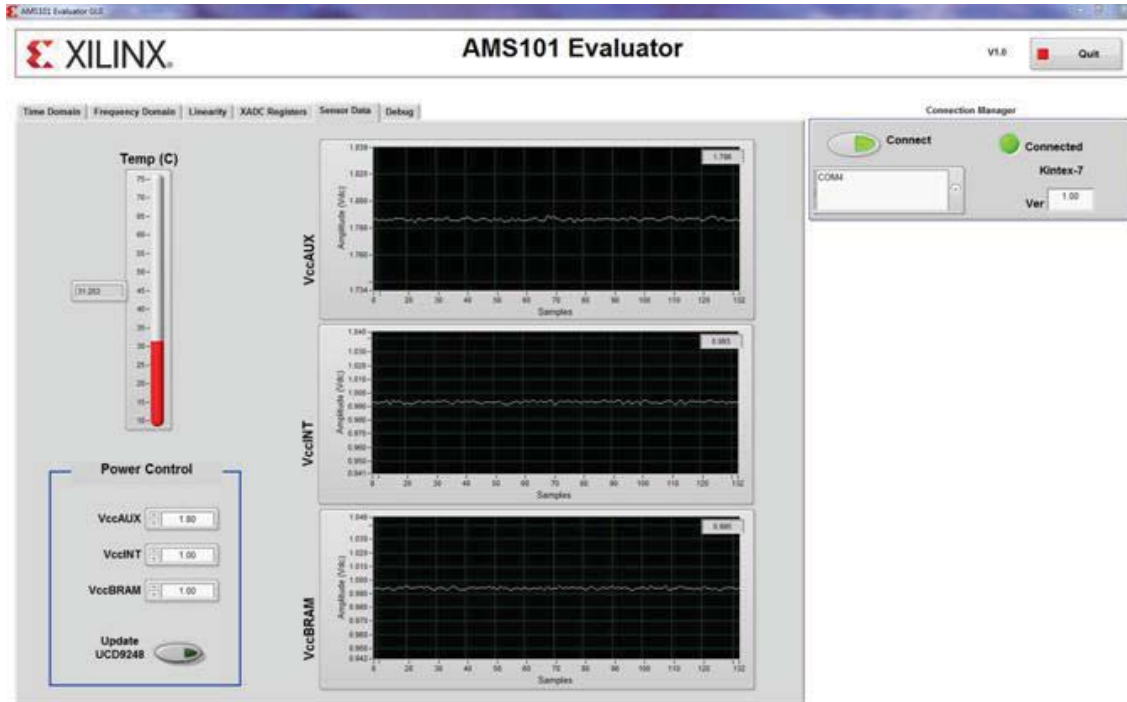


UG886_c2_14_092512

Figure 2-14: Linearity Error Data Capture and Analysis

Analyze Internal Voltage and Temperature Sensors

The XADC also has several internal sensors that it digitizes. These include a temperature sensor and FPGA voltage supply sensors. Select the **Sensor Data** tab to view the data corresponding to the four sensors, as shown in [Figure 2-15](#).



UG886_c2_15_092512

Figure 2-15: Sensor Data Capture

Power Monitoring with XADC on AC701

The AC701 evaluation board and AMS Evaluator tool offer a complete system monitoring solution. The AC701 uses the XADC to measure voltage and load current on nine of the onboard power supplies. Voltage is measured using remote sensing. Current is measured across a sense resistor with individual current sense op amps. Power is then calculated for each of the nine rails by multiplying voltage x current. An external multiplexer is also used

to switch all 18 measurements into the XADC. [Table 2-2](#) details the power rails monitored on the AC701.

Table 2-2: AC701 Voltage Rails Measured with AMS Targeted Reference Design

Rail Name	Voltage	Current
$V_{CCINT}^{(1)}$	No	Yes
$V_{CCAUX}^{(1)}$	No	Yes
$V_{CCBRAM}^{(1)}$	No	Yes
1.5V Supply	Yes	Yes
V_{CCO_ADJ}	Yes	Yes
1.8V Supply	Yes	Yes
3.3V Supply	Yes	Yes
MGTAVCC	Yes	Yes
MGTAVTT	Yes	Yes

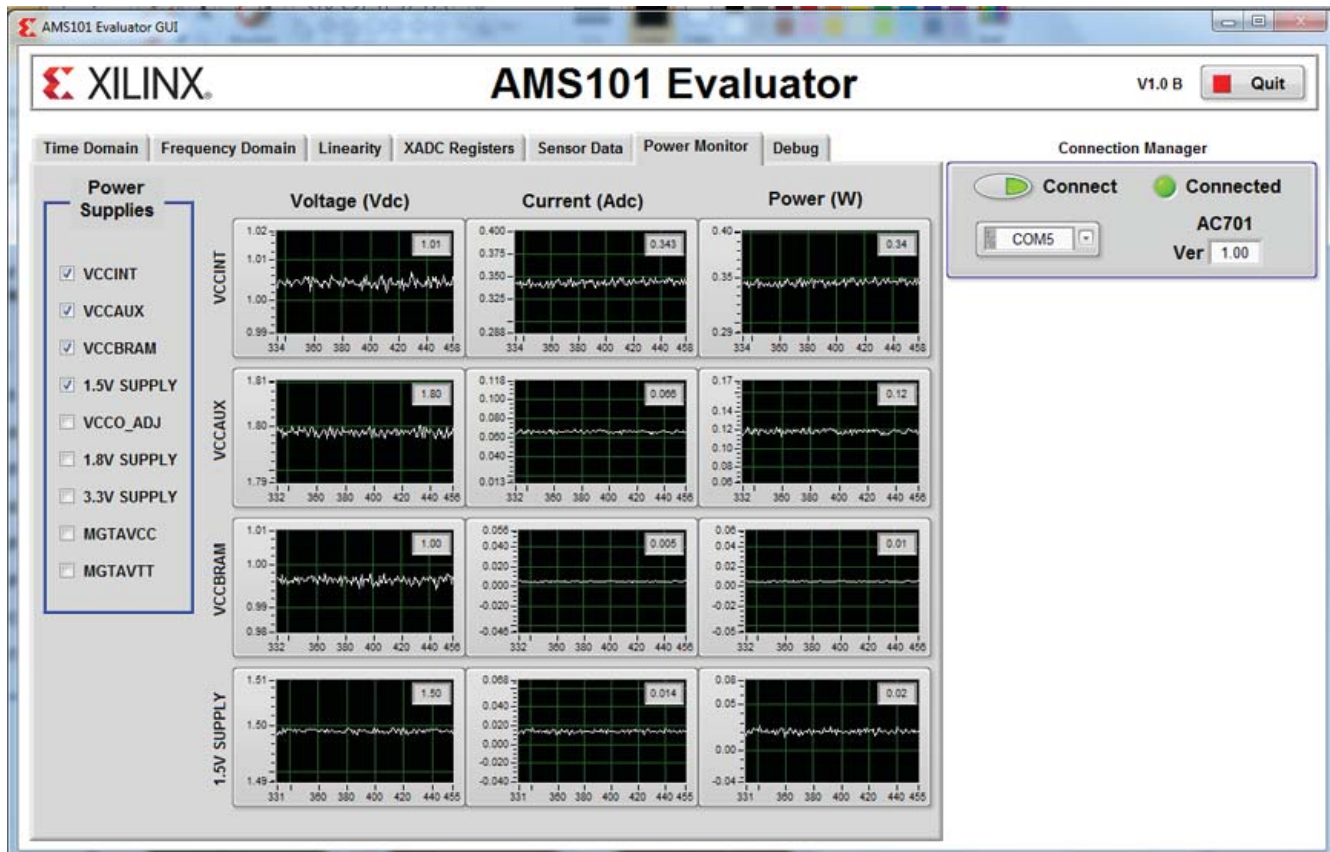
Notes:

- V_{CCINT} , V_{CCAUX} , and V_{CCBRAM} voltage levels are measured by XADC onboard sensors and displayed in both the **Sensor Data** tab and the **Power Monitor** tab.

The current sense values of V_{CCINT} , V_{CCAUX} , V_{CCBRAM} , 1.5V supply, and V_{CCO_ADJ} along with voltage levels of 1.5V supply, V_{CCO_ADJ} , and 1.8V supply are available on the AC701 board's onboard MUX positioned at U13. The differential output of the MUX is connected to auxiliary pin 1 ($V_{AUXP/N 1}$) of XADC and each channel is sampled once per second by the MicroBlaze™ processor program running as part of the AC701 AMS Targeted Reference Design.

The current sense values of 1.8V supply, 3.3V supply, MGTAVCC, and MGTAVTT along with voltage levels of 3.3V supply, MGTAVCC, and MGTAVTT are available on the AC701 board's onboard MUX positioned at U14. The differential output of the MUX is connected to auxiliary pin 9 ($V_{AUXP/N 9}$) of XADC.

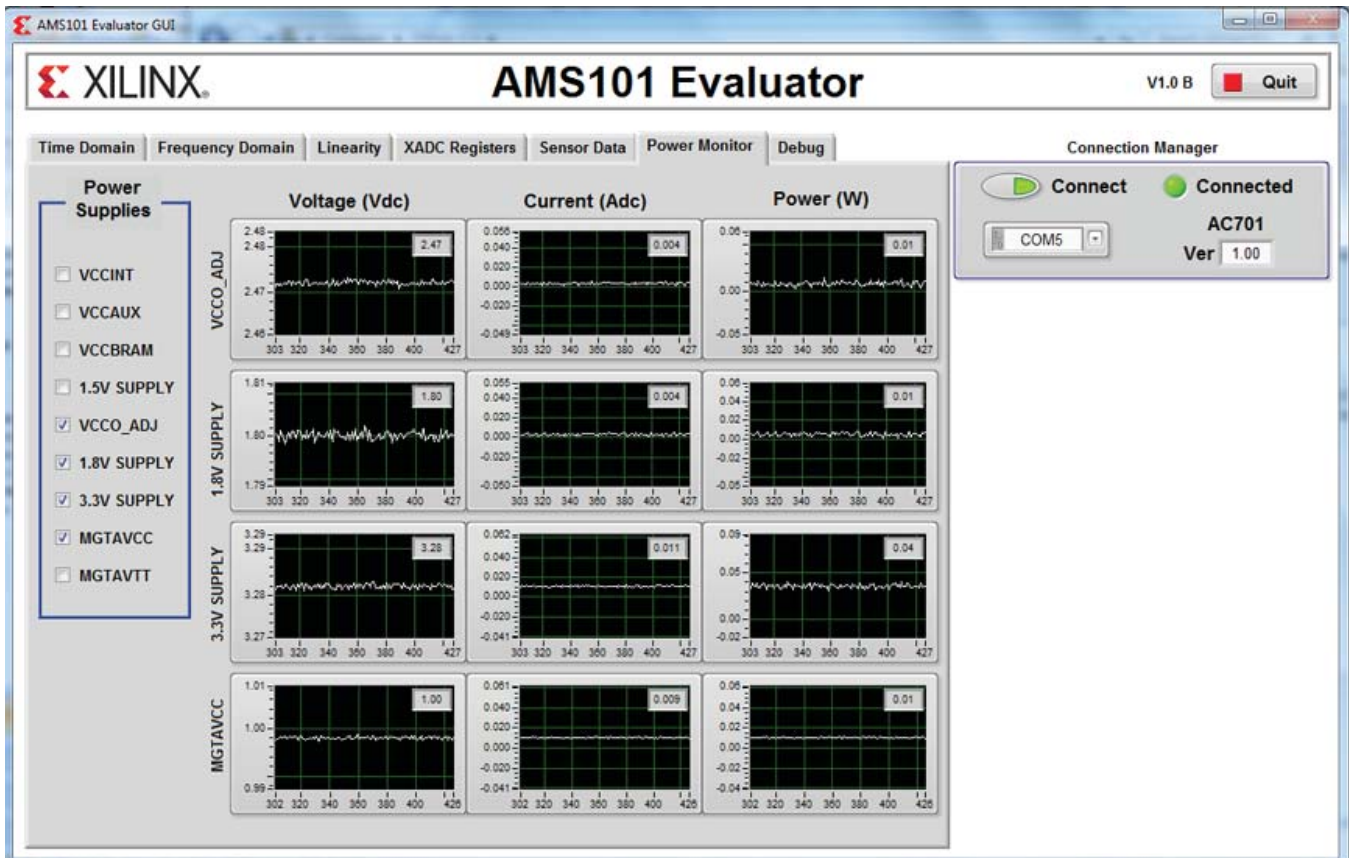
The voltage, current, and power calculation of each rail is displayed in the **Power Monitor** tab on the AMS Evaluator GUI as shown in Figure 2-16. The **Power Monitor** tab is designed specifically for the AC701 board and is not available on the other AMS Targeted Reference Designs (ZC702, KC705, or VC707).



UG886_c2_16_011513

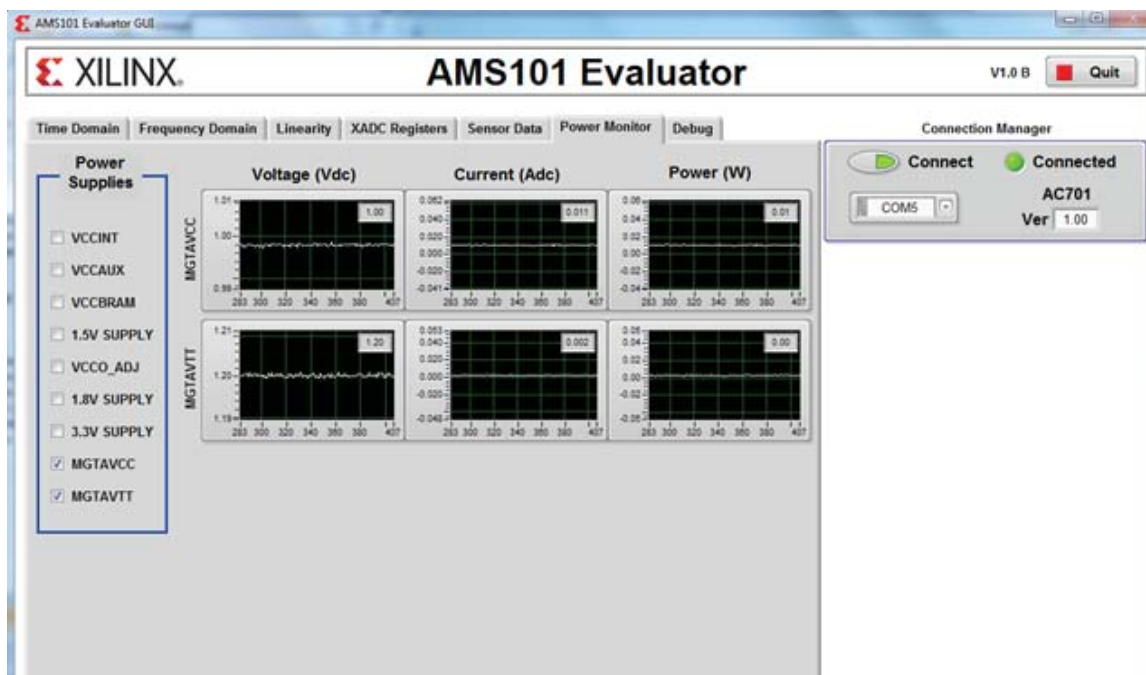
Figure 2-16: AC701 Power Monitor Design Measuring V_{CCINT} , V_{CCAUX} , V_{CCBRAM} , and the 1.5V Supply

Four voltage rails can be selected at a time. To select more voltage rails, de-select one or more of the existing voltage rails and select the desired new rails. Figure 2-17 and Figure 2-18 show voltage, current, and power measurements of the remaining five rails (V_{CCO_ADJ} , the 1.8V supply, the 3.3V supply, MGTAVCC, and MGTAVTT).



UG886_c2_17_011513

Figure 2-17: AC701 Power Monitor Design Measuring V_{CCO_ADJ} , the 1.8V Supply, the 3.3V Supply, and MGTAVCC

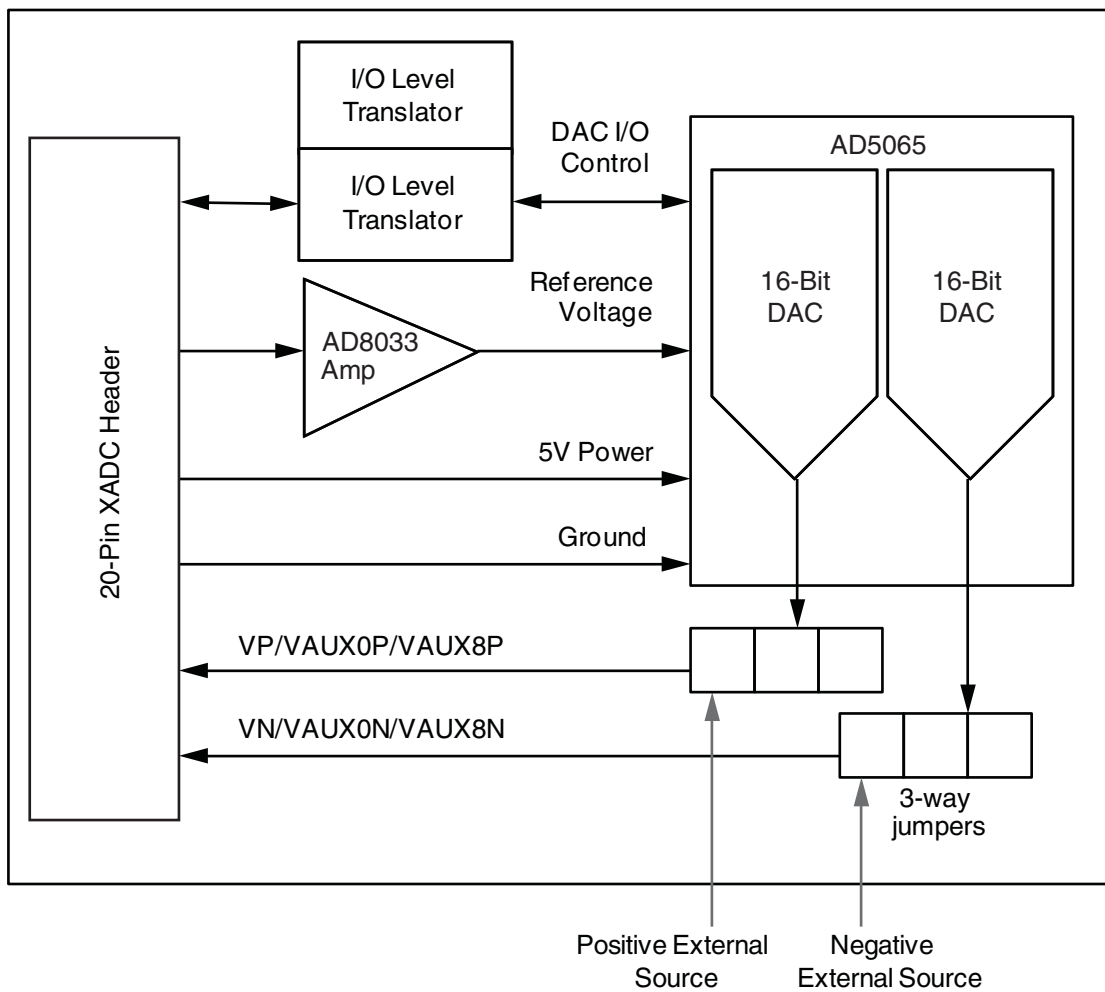


UG886_c2_18_020113

Figure 2-18: AC701 Power Monitor Design Measuring MGTAVCC and MGTAVTT

AMS101 Evaluation Hardware

The AMS evaluation card enables you to evaluate the performance of the XADC in many of the operating modes described in *7 Series FPGAs and Zynq-7000 All Programmable SoC XADC Dual 12-Bit 1 MSPS Analog-to-Digital Converter User Guide (UG480)* [Ref 6]. This evaluation can be done using either an external signal source or the DAC that is present on the card. [Figure 3-1](#) shows the block diagram of the card.



UG886_c3_01_062712

Figure 3-1: AMS101 Evaluation Card Block Diagram

The block diagram includes these six sub-blocks:

- 20-pin XADC header for interfacing to an FPGA base board
- 16-bit DAC analog signal source (Analog Devices DAC AD5065)
- I/O level translators for the serial peripheral interface (SPI) to the DAC (SN74LVC2T45DCT)
- DAC reference amplifier buffer (AD8033)
- Connector pins to bring in external positive and negative sources
- 3-way jumper pins to select DAC source or external source going to XADC header

Interfacing to the FPGA Base Board

The AMS101 evaluation card has a 20-pin header that allows it to be plugged into the XADC header, which is now available on all Xilinx 7 series FPGA and Zynq-7000 SoC base boards. The XADC header provides a means to connect the analog inputs of the XADC to the AMS101 evaluation card circuitry as well as providing a reference, power, and DAC control signals. [Figure 3-2](#) shows the pinout and signal names for the XADC header on the FPGA base board.

As mentioned, the XADC header on the FPGA base board and the 20-pin header on the AMS101 evaluation card are both keyed. To ensure correct connectivity, the keys must be properly aligned between the AMS101 evaluation card and the XADC header. Pin 1 on the XADC header on the FPGA base board needs to connect to Pin 1 of the 20-pin header on the AMS101 evaluation card.

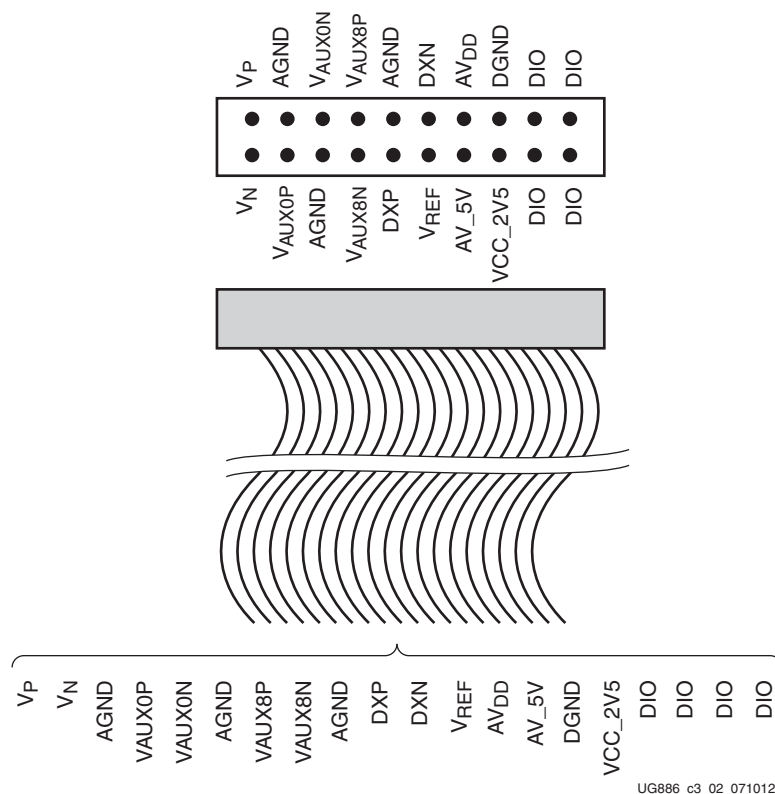


Figure 3-2: XADC Header Pinout

Onboard Signal Source

The AMS101 card contains the Analog Devices AD5065 part, which is a dual 16-bit DAC. This DAC can be used for one of three functions:

- Provide a ramp for linearity testing
- Generate a sine wave for a quick dynamic performance test
- Provide DC levels for common mode shifts or to provide a DC level for code transition noise tests

The DAC can be interfaced with the GUI. See [Signal Source Configuration, page 40](#) for more details.

Signal Conditioning Circuitry

The signal conditioning function of the AMS101 evaluation card consists of an AD8033, which functions as a gain of 2 amplifier, supplying 2.5V to the reference voltage to the DAC.

Power Supplies

The circuitry on the AMS101 evaluation card receives 5V power through the FPGA base board across the XADC header.

Board Setup

Because of the level of flexibility of the XADC, there are a three operating modes supported by the AMS101 evaluation card. [Table 3-1](#) details these operating modes:

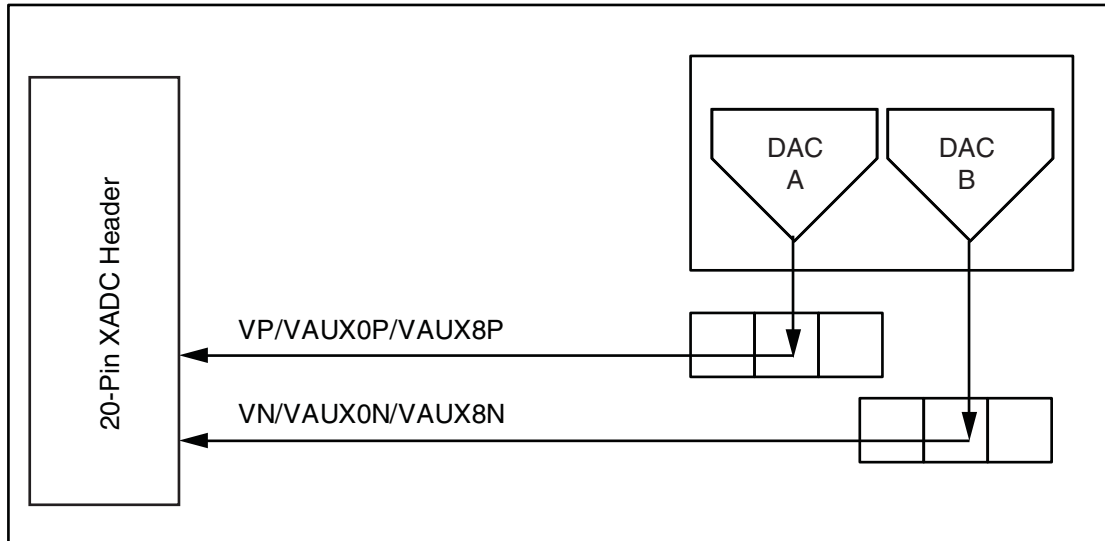
- Onboard DAC signal source (for AC or DC measurements)
- External single-ended source
- Fully differential signal source

Table 3-1: AMS101 Evaluation Card Use Cases

Use Case	DAC Onboard Signal Source	External Analog Source	Simul Sampled		Uni-polar		Bi-polar	
			FFT	INL	FFT	INL	FFT	INL
Test	—	—	FFT	INL	FFT	INL	FFT	INL
1	x		x	x	x	x	x	x
2		x	x		x		x	

Use Case 1—On-Board DAC (Default)

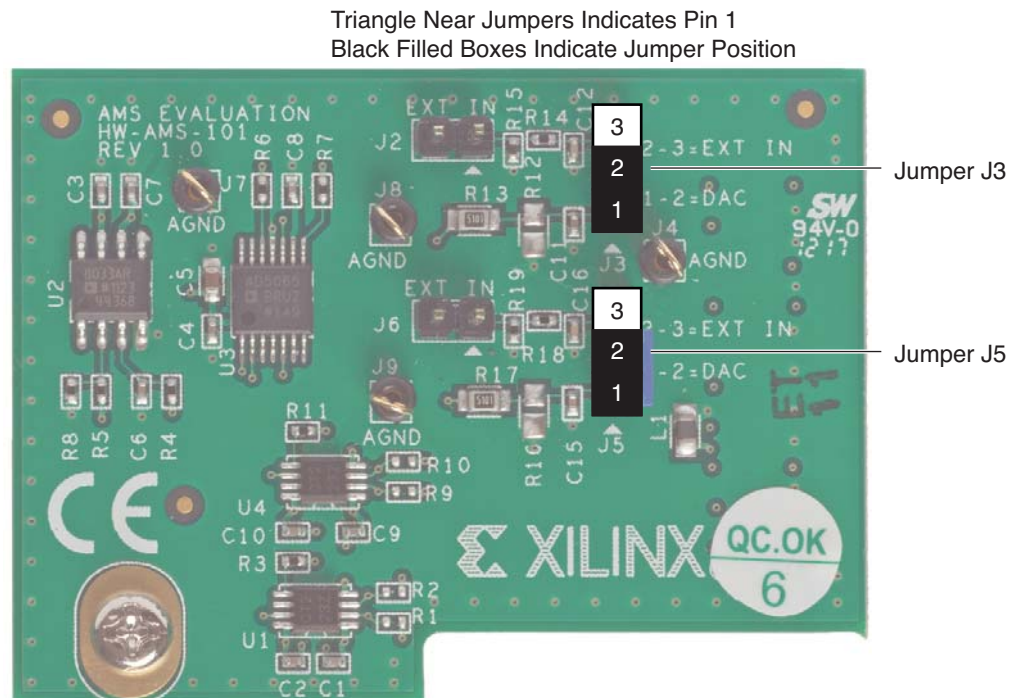
This is the most common use case and the default factory configuration of the board. In this mode, each output of the DAC is presented to the three input channels available on the analog header. [Figure 3-3](#) illustrates the high level circuit diagram for this use case.



UG886_c3_03_092512

Figure 3-3: Use Case 1 Block Diagram

To enable this use case, connect jumpers J3 and J5 between pins 1 and 2 as shown in Figure 3-4. Only these two jumpers need to be populated. DAC A always supplies the output to the positive XADC inputs (V_P , V_{AUX0P} and V_{AUX8P}). DAC B always supplies the output to the negative XADC inputs (V_N , V_{AUX0N} , and V_{AUX8N}).



UG886_c3_04_081612

Figure 3-4: Use Case 1: Jumper Configurations for Onboard DAC

Use Case 1 enables all tests and all modes. To operate the AMS101 evaluation card in any one of those modes, see [XADC Configuration, page 38](#). If the optimum dynamic performance is required, use an external signal source. Select an appropriate Use Case (2 or 3) for the desired operating conditions based on [Table 3-1](#).

The AMS Evaluator tool GUI allows you a good amount of control and flexibility over the two DAC outputs in the AD5065. See [Figure 4-5, page 41](#) for more details. Check the **Generate Sinewave Using DAC** box to output a sine wave on DAC A and DC bias voltage on DAC B. Uncheck the **Generate Sinewave Using DAC** box and both DACs output the DC voltages as written in the **V_P offset** and **V_N offset** boxes. DAC A (V_P offset) always supplies the analog voltage to the positive XADC inputs (V_P, V_{AUXP0}, and V_{AUXP8}) and DAC B (V_N offset) always supplies the analog voltage to the negative XADC inputs (V_N, V_{AUXN0}, and V_{AUXN8}).

For simplicity, on the AMS101 evaluation card, all three positive XADC inputs (V_P, V_{AUXP0}, and V_{AUXP8}) have been shorted together and all three negative XADC inputs (V_N, V_{AUXN0}, and V_{AUXN8}) have been shorted together.

Use Case 2—Single-Ended External Analog Source

Use Case 2 allows an external analog voltage source on the positive input to the XADC (V_P, V_{AUXP0}, and V_{AUXP8}). The negative analog input (V_N, V_{AUXN0}, and V_{AUXN8}) is supplied by DAC B. See [Figure 3-5](#). This allows the common-mode voltage on the negative input to range between 0V and 1V. This DAC voltage is configurable in the AMS Evaluator tool GUI.

For Use Case 2, connect jumper J3 between pins 2 and 3 and connect the external analog signal to pin 1 of jumper J2. Connect jumper J5 between pins 1 and 2 to supply the DAC B voltage as set by the **V_N offset** box in the AMS Evaluator tool. See [Figure 3-6](#).

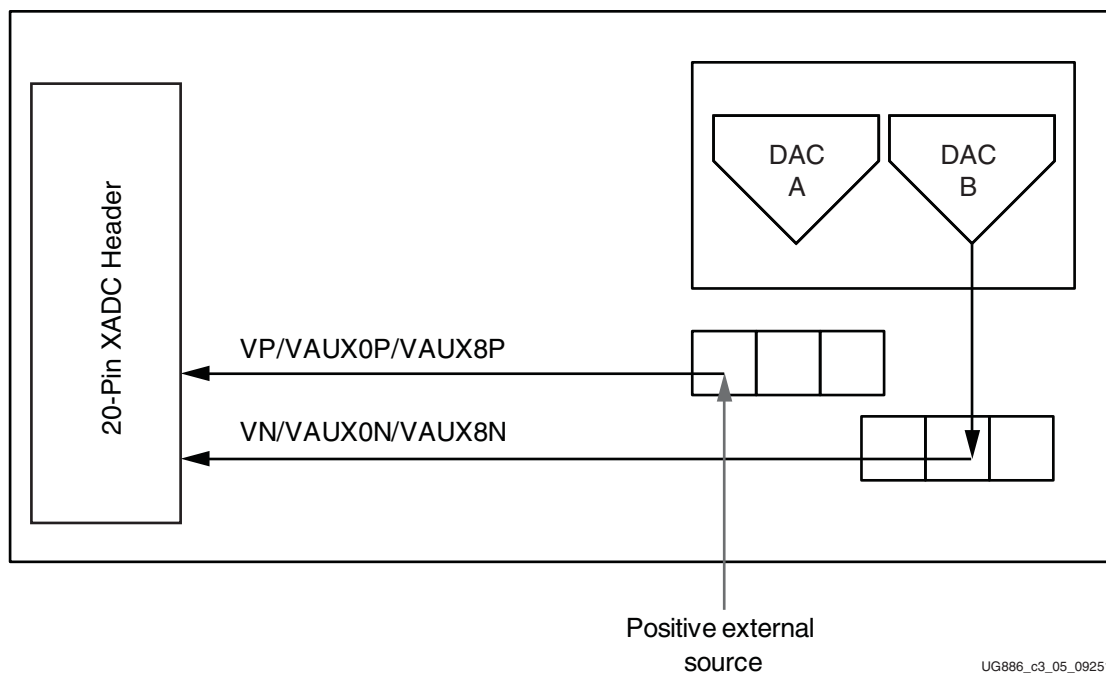
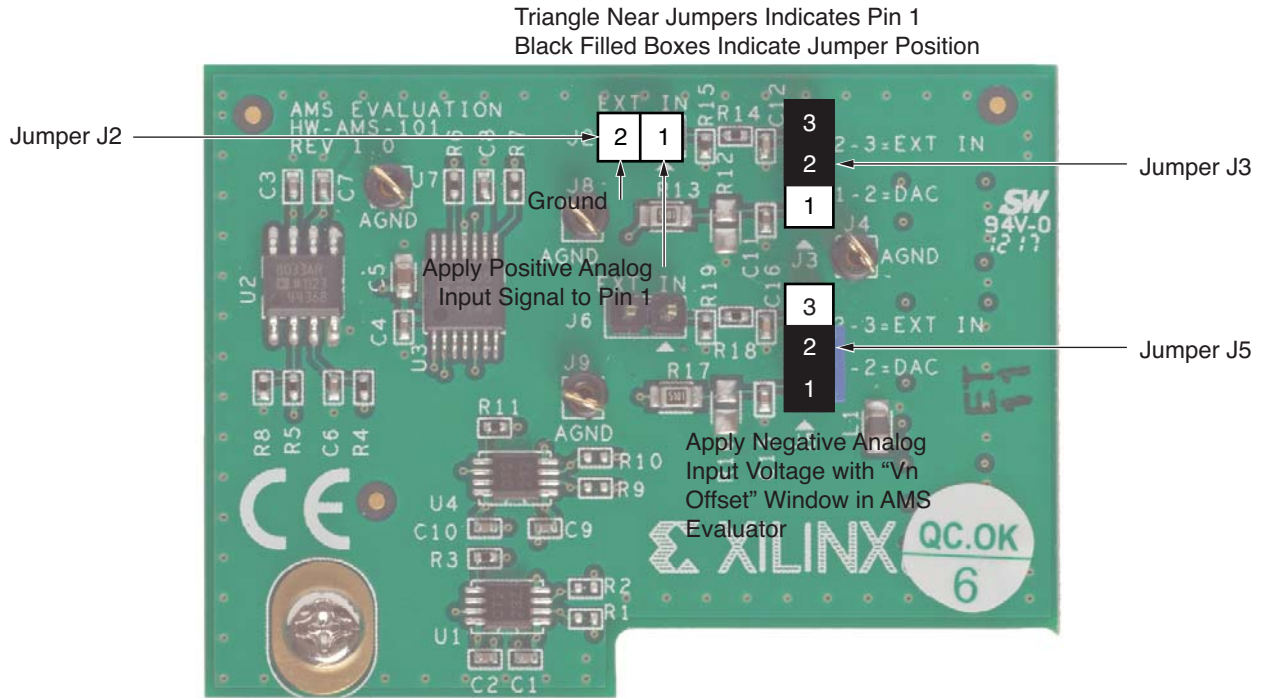


Figure 3-5: Use Case 2 Block Diagram

UG886_c3_05_092512

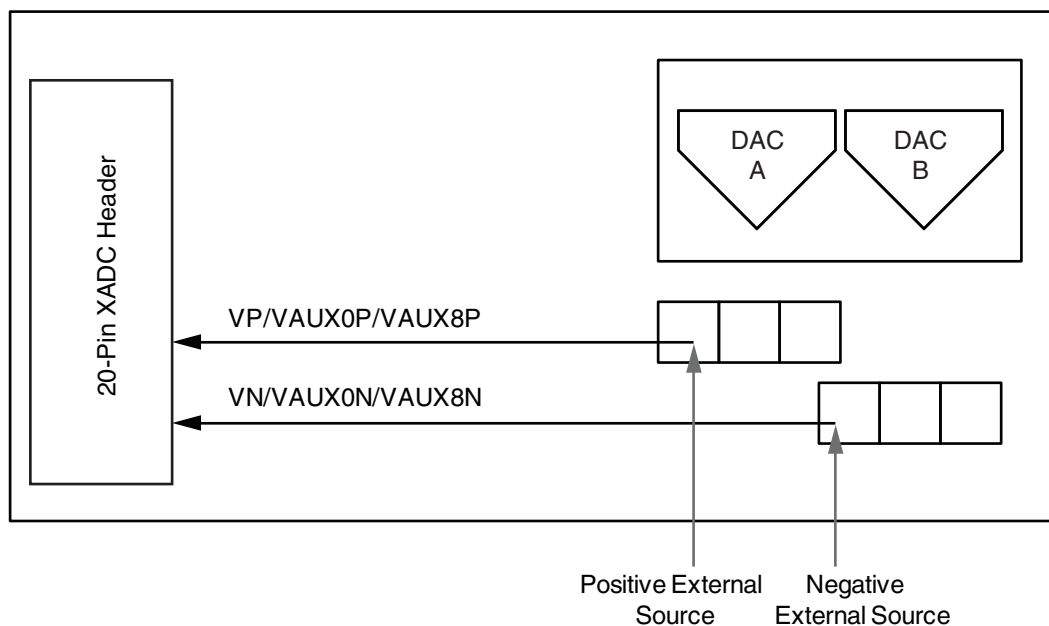


UG886_c3_06_081612

Figure 3-6: Use Case 2 Jumper Configurations for Single-Ended External Analog Source

Use Case 3—Differential External Analog Source

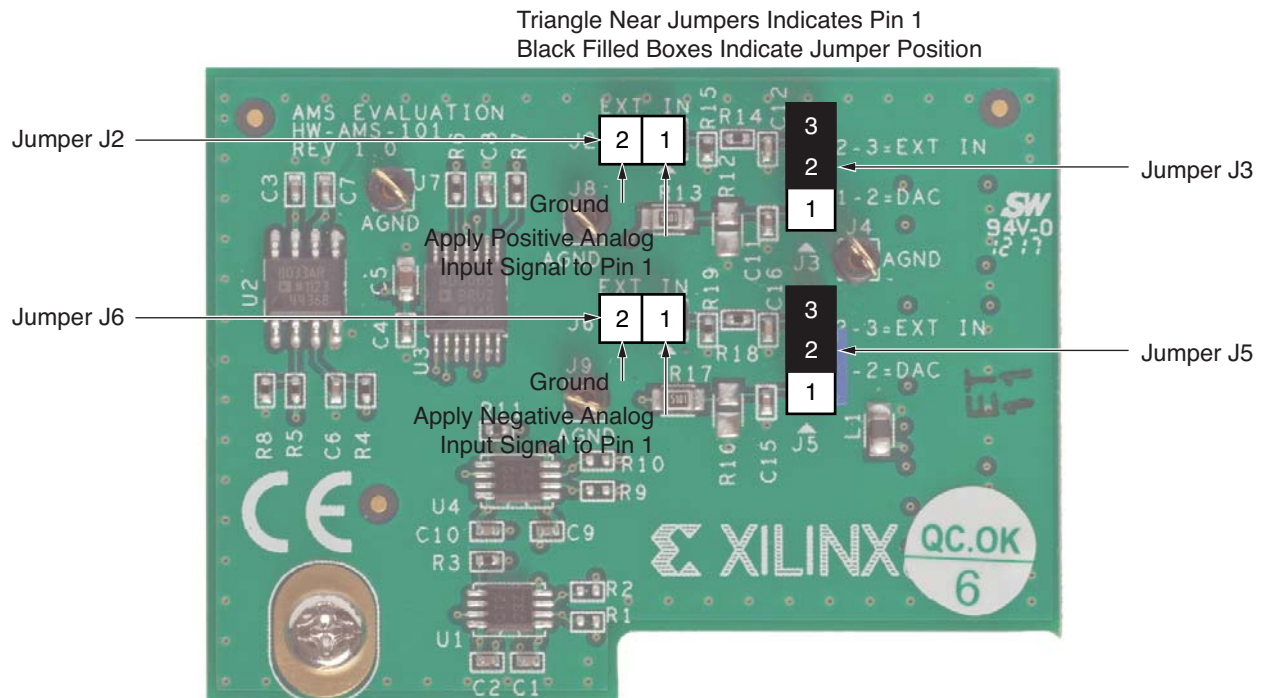
Use Case 3 covers the case where you want to apply an external differential signal source to the XADC positive and negative inputs. Figure 3-7 shows a high level circuit diagram for this use case.



UG886_c3_07_092512

Figure 3-7: Use Case 3 Circuit Diagram

Jumpers J3 and J5 should both be set between positions 2-3 to disconnect the DAC outputs and enable the external signal connections at J2 and J6 (pins 1 for both J2 and J6). See [Figure 3-8](#).



UG886_c3_08_081612

Figure 3-8: Use Case 3 Jumper Configurations: Differential External Analog Source

AMS Evaluator Tool

The AMS Evaluator tool GUI uses the National Instruments LabVIEW environment. The GUI can be used to:

- Configure the XADC.
- Configure the signal source on the AMS101 evaluation card.
- Initiate an XADC data capture.
- Perform frequency and time domain analysis on XADC data.
- Perform a linearity test and display the results.
- Monitor the internal supply voltage and temperature sensors.
- Export measurement results to a CSV file.
- Leverage the FPGA to improve the performance of the XADC using Xilinx Analog Mixed Signal (AMS) technology.

The AMS Evaluator tool allows selection of various measurements by choosing various tabs across the top of the GUI as shown in [Figure 4-1](#). The configuration of the XADC and signal source is controlled by the panels on the right side of the tool.

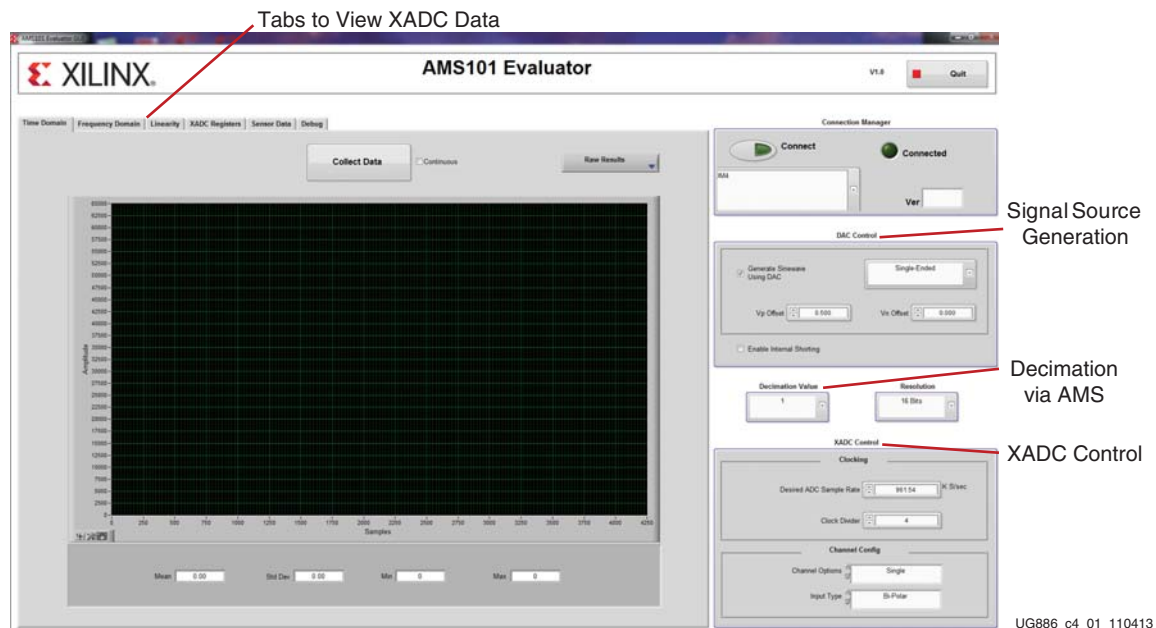


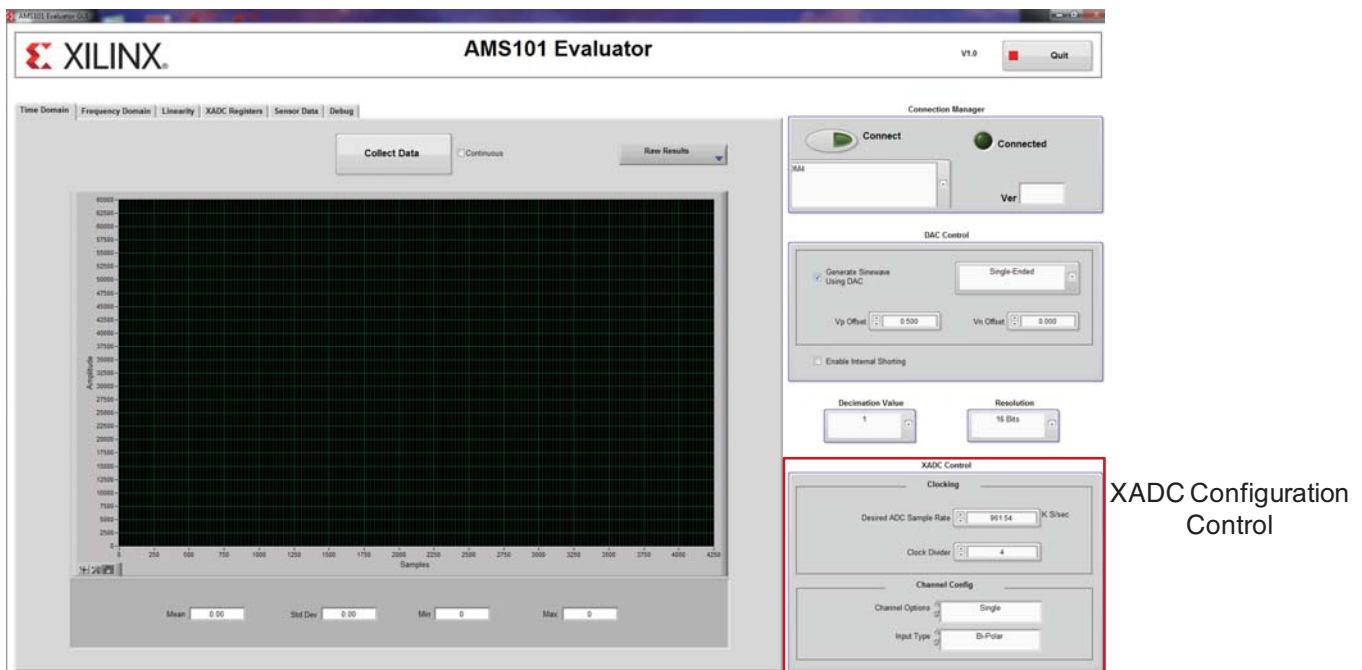
Figure 4-1: AMS Evaluator Tool GUI on Start-Up

XADC Configuration

The XADC control panel highlighted in [Figure 4-2](#) allows changes to several internal XADC configuration registers. These panels specify the XADC sampling rate, the input signal type (unipolar or bipolar), and either single channel mode or simultaneous channel mode. Changing any of the items on the XADC Control panel writes the appropriate data to the XADC register automatically.

The XADC sample rate can be set between 100 kilo-samples per second (kSPS) and 1 MSPS. Unipolar inputs force the negative analog input to ground and the positive input can swing between 0 and 1V. Bipolar inputs allow both analog inputs to swing +/-500 mV, with a common-mode range between 0 and 1V. Single channel mode measures data on the V_P/V_N channels. Simultaneous sampling mode sends the same analog signals onto both DACs over channels V_{AUXP0}/V_{AUXN0} and V_{AUXP8}/V_{AUXN8} .

The default mode of operation is single channel, bipolar, and sampling at 961.4 kSPS.



UG886_c4_02_062512

Figure 4-2: XADC Configuration Control Panel

Channel Options—Single Channel/Simultaneous Sampling

To select between the two modes of operation, single channel mode and simultaneous sampling mode, select the desired option from the **Channel Options** pull-down menu located in the XADC control panel (see [Figure 4-2](#)). After the **Channel Options** pull-down menu changes, the appropriate data is written to the XADC registers.

In this mode, the data for V_P/V_N is captured, processed, and displayed every time you press the **Collect Data** button. If you choose the simultaneous sampling option, then the GUI changes to a dual display where XADC data for channel V_{AUX0} and V_{AUX8} display side by side as shown in Figure 4-3. To revert to the single channel data display, change the **Display Options** pull-down menu highlighted in Figure 4-3.

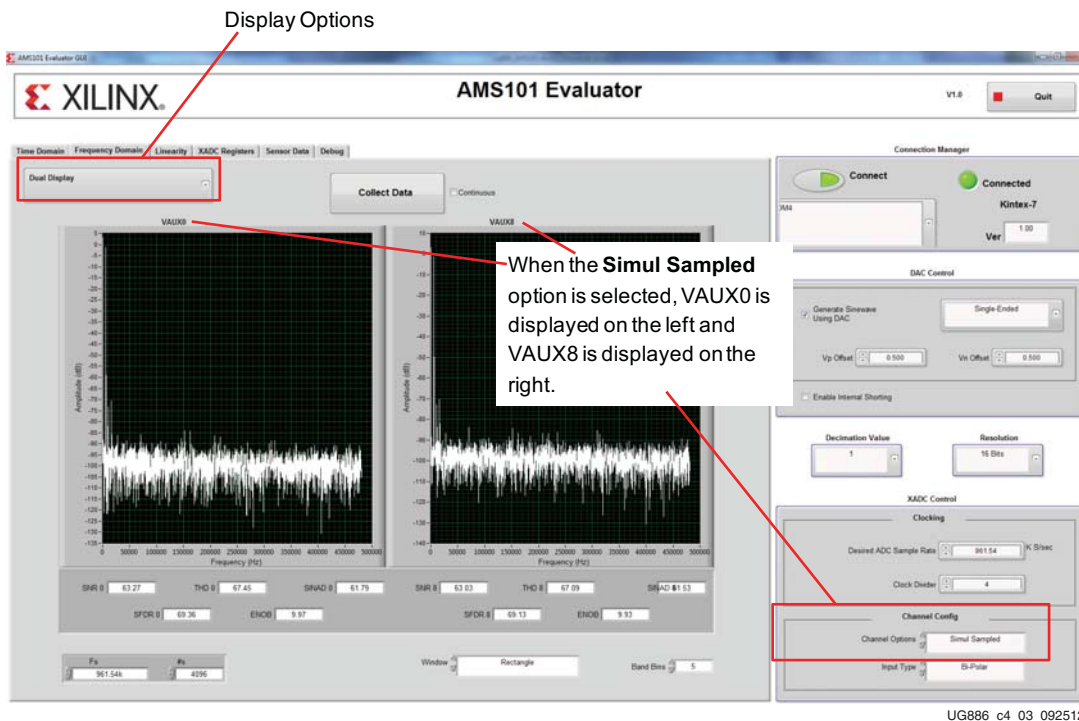
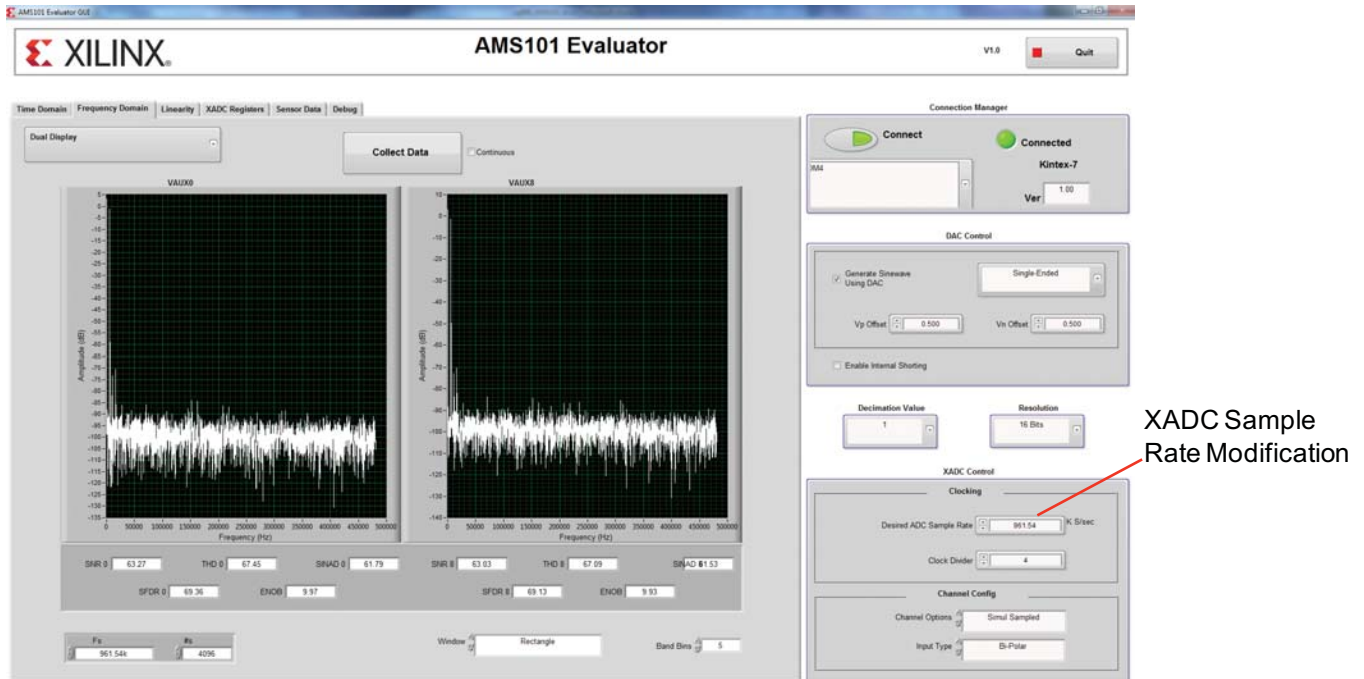


Figure 4-3: Data Display for Simultaneous Sampling Mode

Clocking—XADC Sample Rate

The XADC is a dual 12-bit ADC running at speeds of up to 1 MSPS. The speed of the ADC is dictated by the frequency of the clock, which is the divided-down version of the clock it receives at the block level. The clock divider register of the XADC defines the division factor. The GUI gives direct access to it (see Figure 4-4). A clock divide ratio can be input directly, or a desired ADC sample rate can be specified, and the GUI in this instance calculates the most appropriate clock divider. By default, the clock divide register is set so that the XADC sample rate is 1 MSPS. The XADC clock is 100 MHz and a clock divide ratio of four gives a sample rate of 961.54 kSPS. See *7 Series FPGAs and Zynq-7000 All Programmable SoC XADC Dual 12-Bit 1 MSPS Analog-to-Digital Converter User Guide* (UG480) [Ref 6] for more details on the clocking of the XADC.

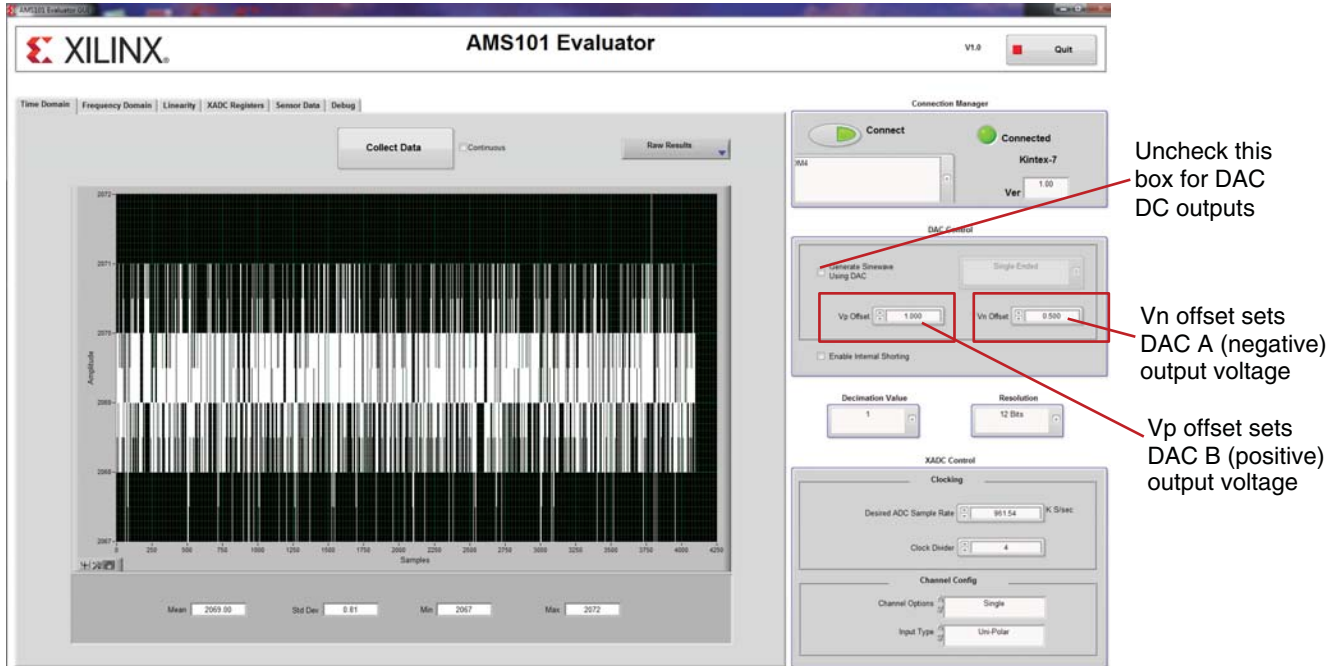


UG886_c4_04_062512

Figure 4-4: XADC Sample Rate Changes

Signal Source Configuration

The AMS101 evaluation card uses an AD5065 dual 16-bit DAC as a signal source to the XADC. When either the **Time Domain** or **Frequency Domain** tabs are selected, the GUI provides access to the control of the DAC through the DAC control panel on the GUI, as shown in Figure 4-5. The V_P and V_N offset fields can be used to define the DC level of each output of the DAC. V_P corresponds to DACB and V_N corresponds to DACA. By selecting the **Generate Sinewave Using DAC** tick box, a sine wave with a common mode defined by the V_N offset field is output on DACA, which then drives the positive input of all three available channels.



UG886_c4_05_062712

Figure 4-5: DAC Control Panel Options

When various modes of operation are selected, appropriate values are written to the **V_p** and **V_n** offset fields. A change to the **Input Type** field or a change to **Generate Sinewave Using DAC** causes such actions. Table 4-1 shows the default values set when the mode is changed.

Table 4-1: AMS Evaluator Tool DAC Voltage Defaults

Configuration	DAC B (V _P Offset)	DAC A (V _N Offset)
Unipolar mode (DAC sine wave generation). Default power-up mode.	0.5V	0V
Unipolar mode (external source).	0.25V	0V
Bipolar mode (DAC sine wave generation).	0.5V	0.5V
Bipolar mode (external source).	0.25V	0.5V

XADC Performance Tests

A selection of tabs is located across the top of the AMS Evaluator tool under the Xilinx logo. **Time Domain**, **Frequency Domain**, **Linearity**, and **Sensor Data** tabs are associated with XADC performance tests.

Time Domain

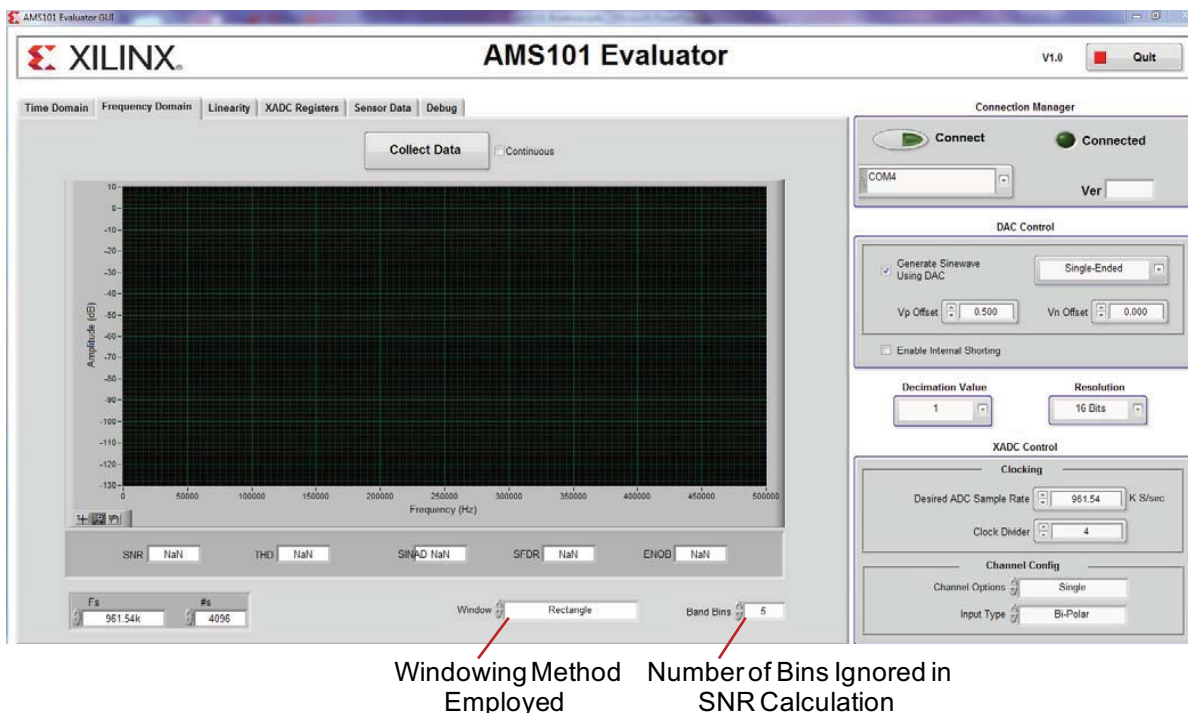
The **Time Domain** tab gives access to XADC data without any post processing. In single channel mode, when the **Collect Data** button is clicked, 4,096 sequential XADC results are taken from the V_P/V_N result register stored in memory. When all 4,096 samples are in

memory, the data is transferred to the AMS Evaluator tool through the USB-UART connection. The AMS Evaluator tool then does a mean, minimum, maximum, and standard deviation calculation on the data before displaying it. In the case of simultaneous sampling mode, 8,192 XADC results are taken, 4,096 for V_{AUX0} and 4,096 for V_{AUX8} . The AMS Evaluator tool receives all 8,192 pieces of data in one array and splits it appropriately. The tool then does a mean, minimum, maximum, and standard deviation calculation separately on V_{AUX0} and V_{AUX8} data. The V_{AUX0} and V_{AUX8} data is then displayed side by side in a dual display. The mean, minimum, maximum, and standard deviation calculation results are shown below the graph of the XADC samples.

Frequency Domain

The **Frequency Domain** tab enables an FFT on the XADC data. Similar to the time domain data collection, 4,096 sequential XADC results for V_P/V_N are taken when in single channel mode and 4,096 XADC results of V_{AUX0} and 4,096 XADC results of V_{AUX8} are taken in simultaneous sampling mode. An FFT is then performed on this data and key ADC dynamic performance metrics are calculated and displayed. These metrics include signal to noise ratio (SNR), total harmonic distortion (THD), signal to noise and distortion (SINAD), spurious free dynamic range (SFDR), and effective number of bits (ENOB).

If the signal source is not the DAC on the evaluation card, then windowing is carried out on the XADC data before the FFT is performed. This is because the external source might or might not be a coherent source. The windowing method can be changed by adjusting the pull-down menu shown in [Figure 4-6](#). By default, it is set to a fourth order Blackman-Harris window, and five bins on either side of the fundamental are discarded in the SNR calculation.



Windowing Method Employed Number of Bins Ignored in SNR Calculation

UG886_c4_06_092512

Figure 4-6: Windowing Options

Linearity

Select the **Linearity** tab to perform a linearity test on the XADC. During this test, the signal source is used as a map source to the XADC.

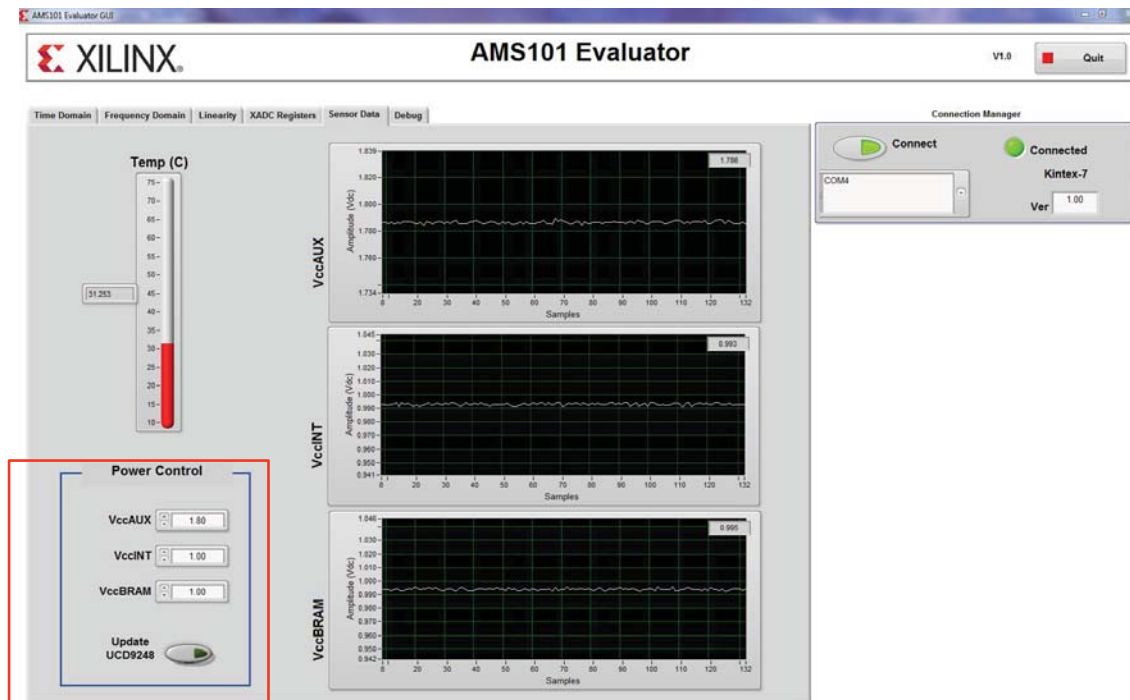
When the **Collect Data** button is clicked in the GUI, the DAC begins to ramp up and the XADC results are collected into a histogram. This histogram data is then transferred to the GUI through the USB-UART connection and a differential non-linearity (DNL) and integral non-linearity (INL) calculation are performed. This data then displays.

Sensor Data

The XADC block contains four integrated sensors within the FPGA. The first is a temperature sensor and the other three monitor the FPGA voltage supplies: V_{CCAUX} , V_{CCINT} , and V_{CCBRAM} . These sensors are all digitized by the XADC when the XADC is in default mode or when they are enabled as part of the channel sequence of the XADC.

When the **Sensor Data** tab is selected, all of the XADC settings are stored in memory in the GUI. The part is then forced into Default mode. See *7 Series FPGAs and Zynq-7000 All Programmable SoC XADC Dual 12-Bit 1 MSPS Analog-to-Digital Converter User Guide* (UG480) [Ref 6]. The digitized representation for the XADC then displays.

The **Power Control** panel highlighted in [Figure 4-7](#) can be used to modify physical voltages being applied to the three supplies in question: V_{CCAUX} , V_{CCINT} , and V_{CCBRAM} . After changing the voltages and clicking the **Update UCD9248** button, the corresponding plot should change, showing the actual voltage now being applied to the part within the part itself.



Change the actual voltages being applied to the FPGA with the Texas Instruments UCD9248 power controller.

UG886_c4_07_110413

Figure 4-7: Sensor Data Tab and Power Control Panel

AMS Demonstration

The Analog Mixed Signal (AMS) technology leverages the digital signal processing capabilities of Xilinx FPGA interconnect logic to enhance the performance and functionality of the local XADC block. The AMS101 evaluation card offers a very limited glimpse into the possibilities of the AMS concept by enabling efficient decimation.

Decimation

The AMS Evaluator tool enables decimation of the XADC data by a certain factor, effectively trading off input bandwidth for higher SNR performance. This factor is defined by the field shown on [Figure 4-8](#). Select between a decimation rate of 1, 2, 4, 8, or 16. A decimation of 1 indicates that the XADC data is passed directly to the AMS Evaluator tool without any filtering or decimation. The decimation function is carried out in the FPGA using very little resources. The core building block is a decimate by 2 block. It first passes the XADC data through a half-band filter and then decimates by a factor of 2, as shown in [Figure 4-9](#).

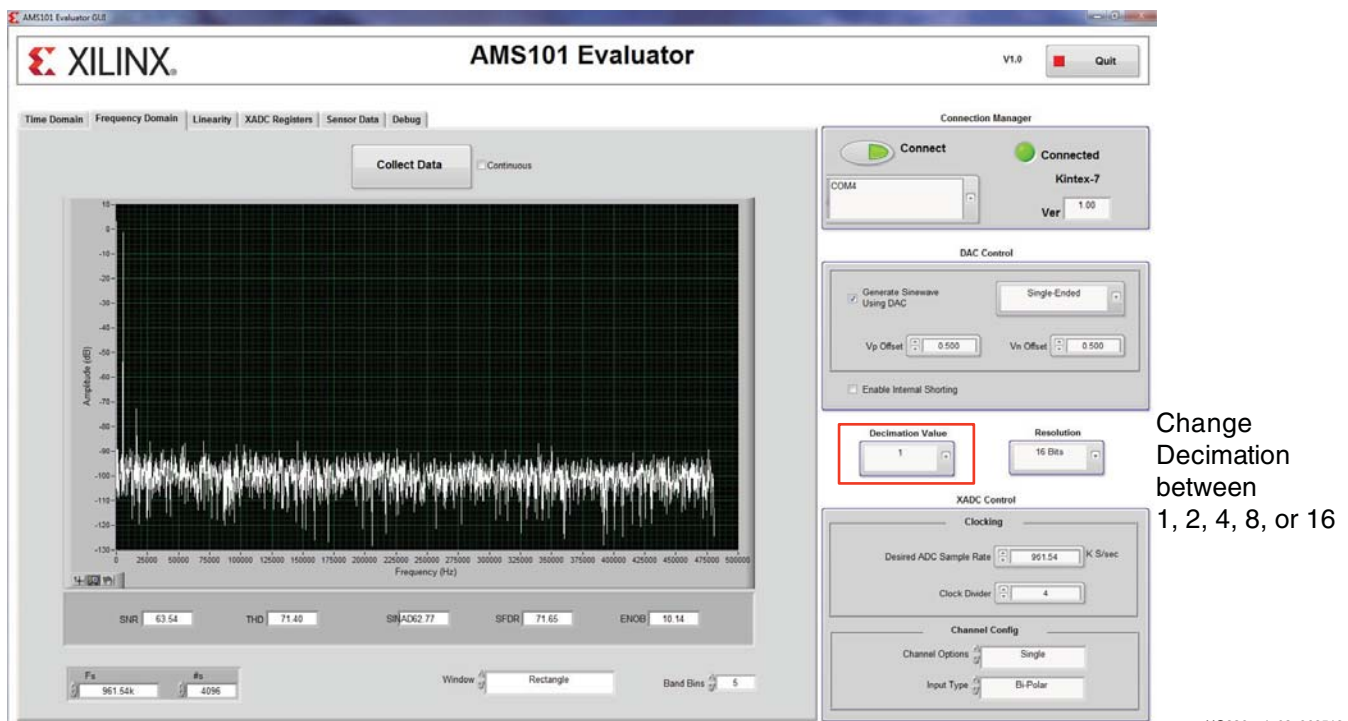


Figure 4-8: Decimation Rate Selection

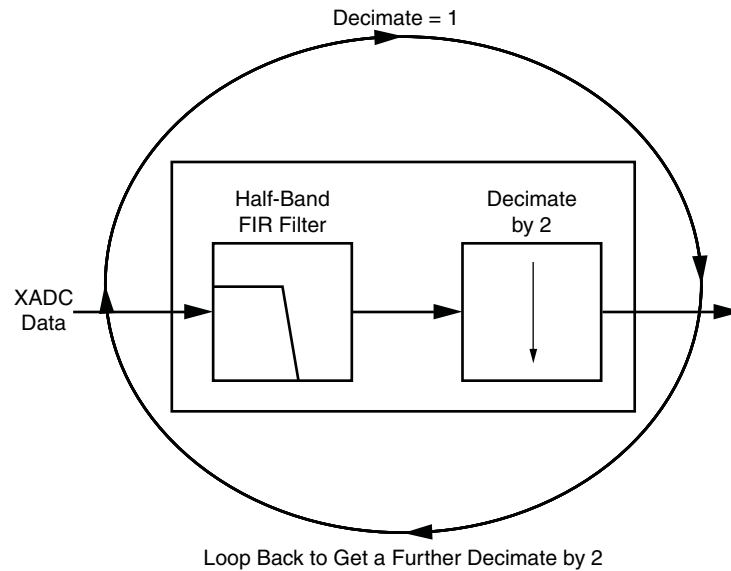
Decimating by 2 cuts the input bandwidth in half. The frequency graph in the **Frequency Domain** tab reflects this as the input bandwidth goes from 500 kHz with a decimation of 1 to 250 kHz with a decimation of 2.

To achieve a decimate by 4, the FPGA passes the XADC data through the decimate by 2 block and feeds back its output to the block's input so that it can be band-limited and decimated by 2 again, giving an overall decimation rate of 4. For a decimation rate of 8, the data is looped back through the decimate by 2 block a second time.

Decimation is a powerful way of improving the SNR, SINAD, and ENOB. [Figure 4-2](#) details a sample of typical results with the AMS101 evaluation card connected to various base boards.

Table 4-2: AMS101 Evaluation Card Typical Results with Multiple Base Boards

Base Board	Effective Number of Bits (ENOB)		Signal to Noise Ratio (SNR, dB)	
	Decimation = 1	Decimation = 16	Decimation = 1	Decimation = 16
ZC706	10.6	12.3	65.8	76.6
AC701	10.4	11.9	64.8	75.1
VC707	10.4	11.5	65.3	74.5
ZedBoard	10.4	11.5	65.1	74.4
KC705	10.3	11.3	64.6	73.3
ZC702	10.4	11.2	65.1	71.7



UG886_c4_09_062512

Figure 4-9: Decimation Block Diagram

Targeted Design Platforms, Schematics, and Dynamic Performance Metric Calculation Methodology

Supported Targeted Design Platforms

Supported targeted design platforms include the AC701, KC705, VC707, and ZC702 targeted design platforms.

Supported demonstration design platforms include the ZC706 and ZedBoard. See the [AMS101 Evaluation Card website](#) for the ZC706 and ZedBoard AMS demo designs.

Schematics

Schematics for the AMS101 evaluation card are shown in [Figure A-1](#) and [Figure A-2](#).

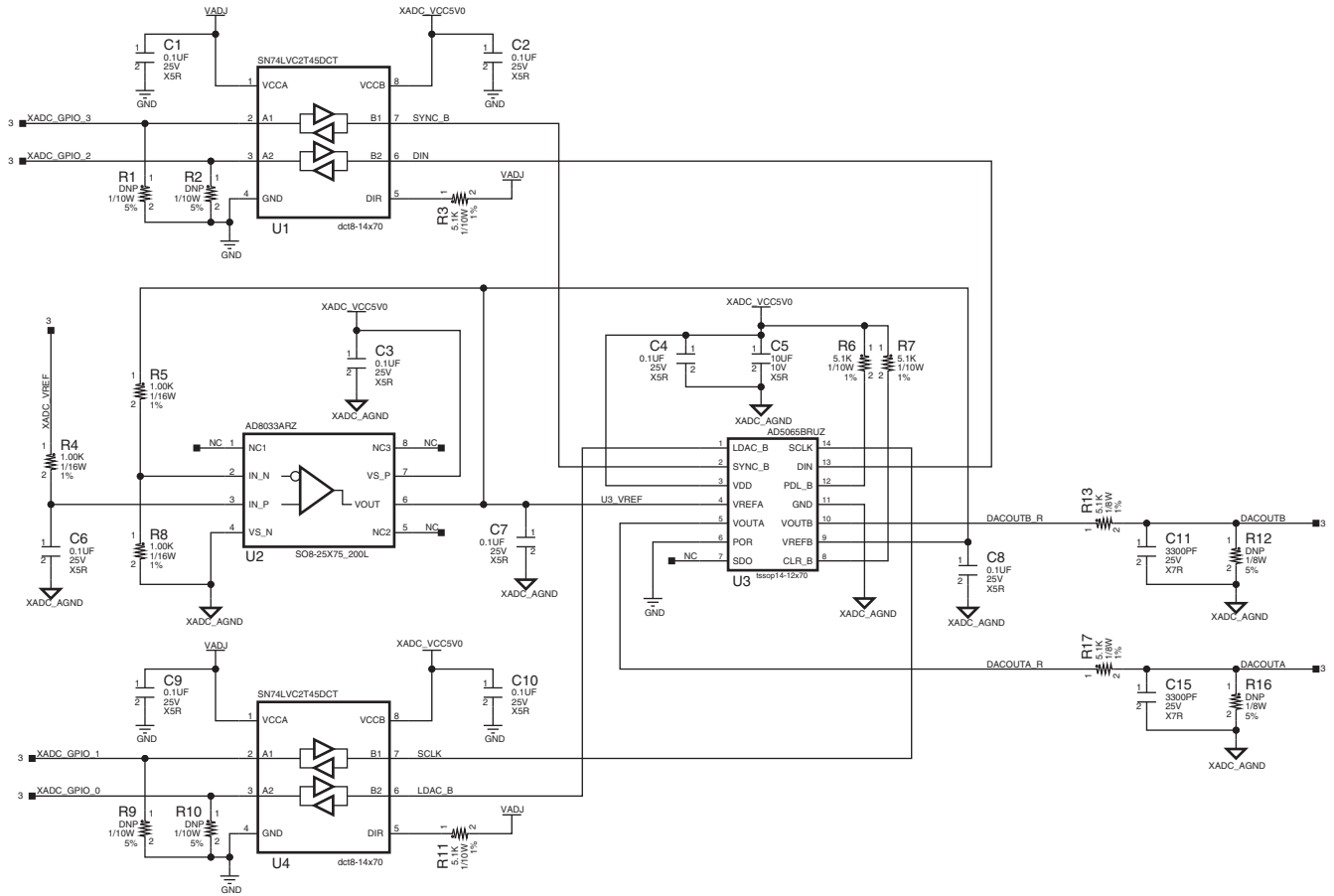
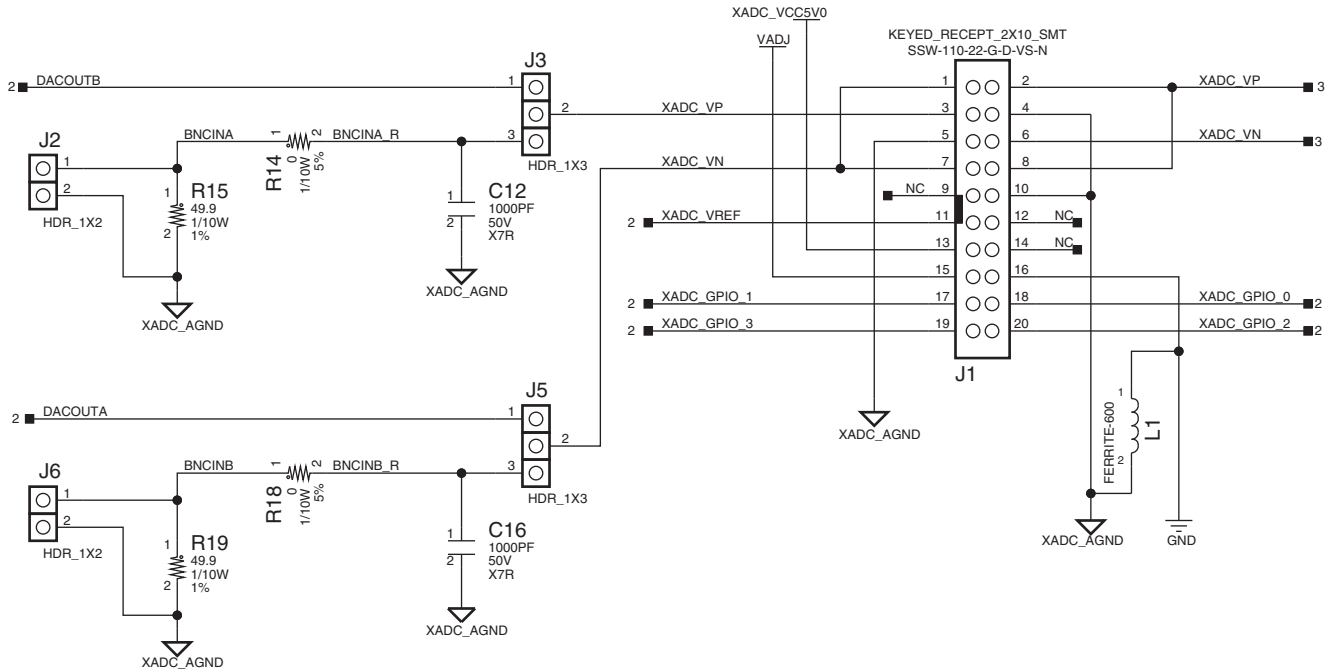


Figure A-1: AMS101 Evaluation Card Schematic (1 of 2)



UG886_aA_02_062512

Figure A-2: AMS101 Evaluation Card Schematic (2 of 2)

Dynamic Performance Metric Calculation Methodology

SNR is calculated by removing the DC, the fundamental, and the first five harmonics components from the FFT data. All the remaining components are root sum squared together. This number is divided by the fundamental component and converted into decibels (dB).

THD is a measure of the ratio of the root sum square of the first seven harmonics to the fundamental, also expressed in dB.

SINAD is similar to the SNR calculation except it does not throw out the first five harmonics.

SFDR is a measure of the difference between the magnitude of the largest spur and the magnitude of the fundamental in dB.

ENOB is calculated directly from the SINAD number.

Required Jumper Settings for Base Boards

Jumper Settings for the KC705 Board

Note: The triangle indicates pin 1 for jumper settings on all Xilinx base boards.

To enable AMS evaluation, ensure the KC705 board has the following jumper settings:

- J43: In place
- J68: In place
- J48: In place between pins 2 and 3
- J69: In place between pins 1 and 2
- J47: In place between pins 1 and 2
- J42: Not in place

See *KC705 Evaluation Board for the Kintex-7 FPGA User Guide* (UG810) [[Ref 7](#)].

Jumper Settings for the VC707 Board

To enable AMS evaluation, ensure the VC707 board has the following jumper settings:

- J10: In place
- J53: In place
- J43: In place between pins 2 and 3
- J54: In place between pins 1 and 2
- J42: In place between pins 1 and 2
- J9: Not in place

See *VC707 Evaluation Board for the Virtex-7 FPGA User Guide* (UG885) [[Ref 8](#)].

Jumper Settings for the ZC702 Board

To enable AMS evaluation, ensure the ZC702 board has the following jumper settings:

- J8: Not in place
- J9: In place
- J65: In place
- J37: In place between pins 1 and 2
- J38: In place between pins 2 and 3

- J70: In place between pins 2 and 3

See *ZC702 Evaluation Board for the Zynq-7000 XC7Z020 All Programmable SoC User Guide* (UG850) [Ref 9].

Jumper Settings for the ZC706 Board

To enable AMS evaluation, ensure the ZC706 board has the following jumper settings:

- J12: Not in place (XADC GND Bypass)
- J13: In place (XADC GND)
- J14: In place (XADC VCC5V0)
- J52: In place between pins 1 and 2 (XADC VREP Sel)
- J53: In place between pins 2 and 3 (XADC VCC Sel)
- J54: In place between pins 2 and 3

See *Zynq-7000 All Programmable SoC ZC706 Evaluation Kit Getting Started Guide (ISE Design Suite and Vivado Design Suite)* (UG961) [Ref 10].

Jumper Settings for the AC701 Board

To enable AMS evaluation, ensure the AC701 board has the following jumper settings:

- J11: In place
- J53: In place
- J9: In place
- J10: In place
- J43: In place between pins 2 and 3
- J54: In place between pins 2 and 3
- J42: In place between pins 1 and 2

See *AC701 Evaluation Board for the Artix-7 FPGA User Guide* (UG952) [Ref 11].

Additional Resources

Xilinx Resources

For support resources such as Answers, Documentation, Downloads, and Forums, see the [Xilinx Support website](#).

For continual updates, add the Answer Record to your [myAlerts](#).

For definitions and terms, see the [Xilinx Glossary](#).

Solution Centers

See the [Xilinx Solution Centers](#) for support on devices, software tools, and intellectual property at all stages of the design cycle. Topics include design assistance, advisories, and troubleshooting tips

References

The most up to date information related to the AMS101 Evaluation Card and its documentation is available on these websites:

[AMS101 Evaluation Card](#)

[AMS101 Evaluation Card documentation](#)

[AMS101 Evaluation Card Master Answer Record \(AR 52165\)](#)

[Analog Mixed Signal](#)

[AMS101 Instructor-led Training and Online Training](#)

These Xilinx documents and sites provide supplemental material useful with this guide:

1. *7 Series FPGA AMS Targeted Reference Design User Guide* ([UG960](#))
2. *Kintex-7 FPGA KC705 Evaluation Kit Getting Started Guide* ([UG883](#))
3. *Getting Started with the Virtex-7 FPGA VC707 Evaluation Kit* ([UG848](#))
4. *Zynq-7000 All Programmable SoC: ZC702 Evaluation Kit and Video and Imaging Kit Getting Started Guide* ([UG926](#))
5. *Artix-7 FPGA AC701 Evaluation Kit Getting Started Guide* ([UG967](#))
6. *7 Series FPGAs and Zynq-7000 All Programmable SoC XADC Dual 12-Bit 1 MSPS Analog-to-Digital Converter User Guide* ([UG480](#))
7. *KC705 Evaluation Board for the Kintex-7 FPGA User Guide* ([UG810](#))
8. *VC707 Evaluation Board for the Virtex-7 FPGA User Guide* ([UG885](#))

9. *ZC702 Evaluation Board for the Zynq-7000 XC7Z020 All Programmable SoC User Guide* ([UG850](#))
10. *Zynq-7000 All Programmable SoC ZC706 Evaluation Kit Getting Started Guide (ISE Design Suite and Vivado Design Suite)* ([UG961](#))
11. *AC701 Evaluation Board for the Artix-7 FPGA User Guide* ([UG952](#))

Regulatory and Compliance Information

This product is designed and tested to conform to the European Union directives and standards described in this section.

Declaration of Conformity

See the [AMS101 Evaluation Card CE Declaration of Conformity](#).

Directives

2006/95/EC, *Low Voltage Directive (LVD)*

2004/108/EC, *Electromagnetic Compatibility (EMC) Directive*

Standards

EN standards are maintained by the European Committee for Electrotechnical Standardization (CENELEC). IEC standards are maintained by the International Electrotechnical Commission (IEC).

Electromagnetic Compatibility

EN 55022:2010, *Information Technology Equipment Radio Disturbance Characteristics – Limits and Methods of Measurement*

EN 55024:2010, *Information Technology Equipment Immunity Characteristics – Limits and Methods of Measurement*

This is a Class A product. In a domestic environment, this product can cause radio interference, in which case the user might be required to take adequate measures.

Safety

IEC 60950-1:2005, *Information technology equipment – Safety, Part 1: General requirements*

EN 60950-1:2006, *Information technology equipment – Safety, Part 1: General requirements*

Markings



This product complies with Directive 2002/96/EC on waste electrical and electronic equipment (WEEE). The affixed product label indicates that the user must not discard this electrical or electronic product in domestic household waste.



This product complies with Directive 2002/95/EC on the restriction of hazardous substances (RoHS) in electrical and electronic equipment.



This product complies with CE Directives 2006/95/EC, *Low Voltage Directive (LVD)* and 2004/108/EC, *Electromagnetic Compatibility (EMC) Directive*.