

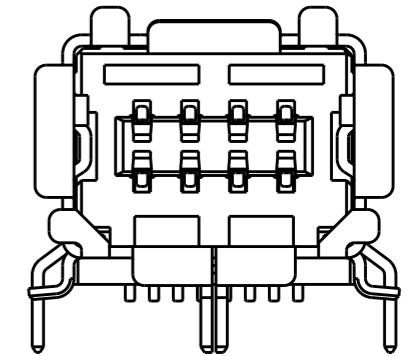
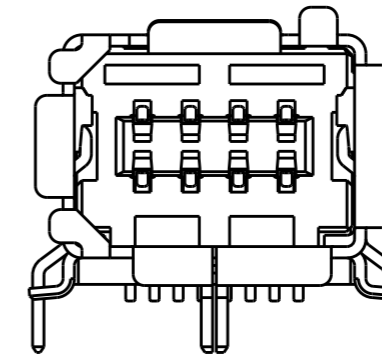
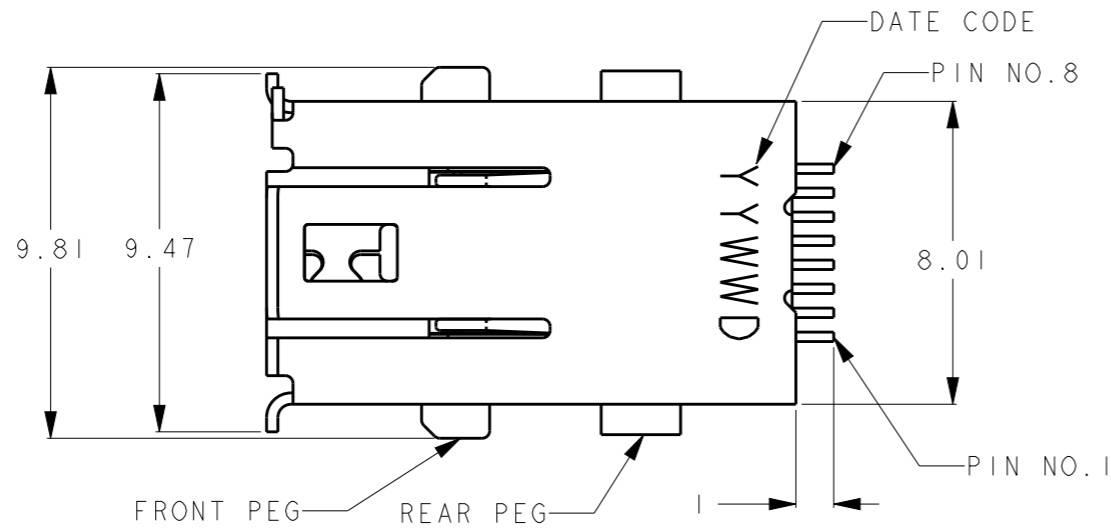
THIS DRAWING IS UNPUBLISHED. RELEASED FOR PUBLICATION 2016

© COPYRIGHT 2016 BY Tyco Electronics Japan G.K. ALL RIGHTS RESERVED.

- 1 : AS SHOWN

REVISIONS

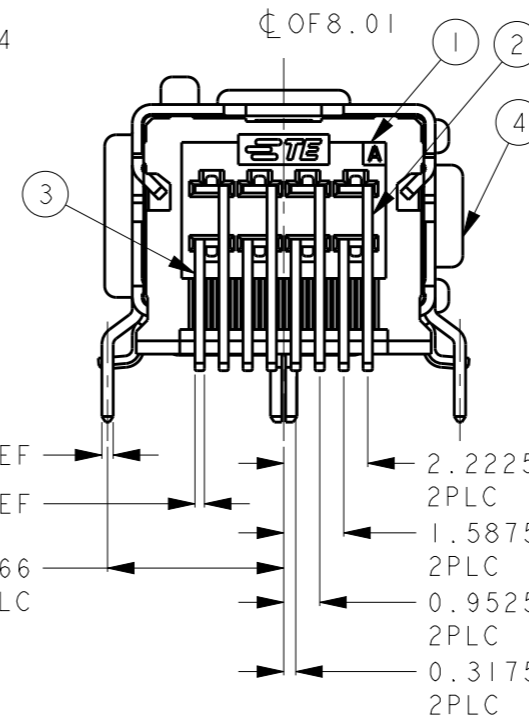
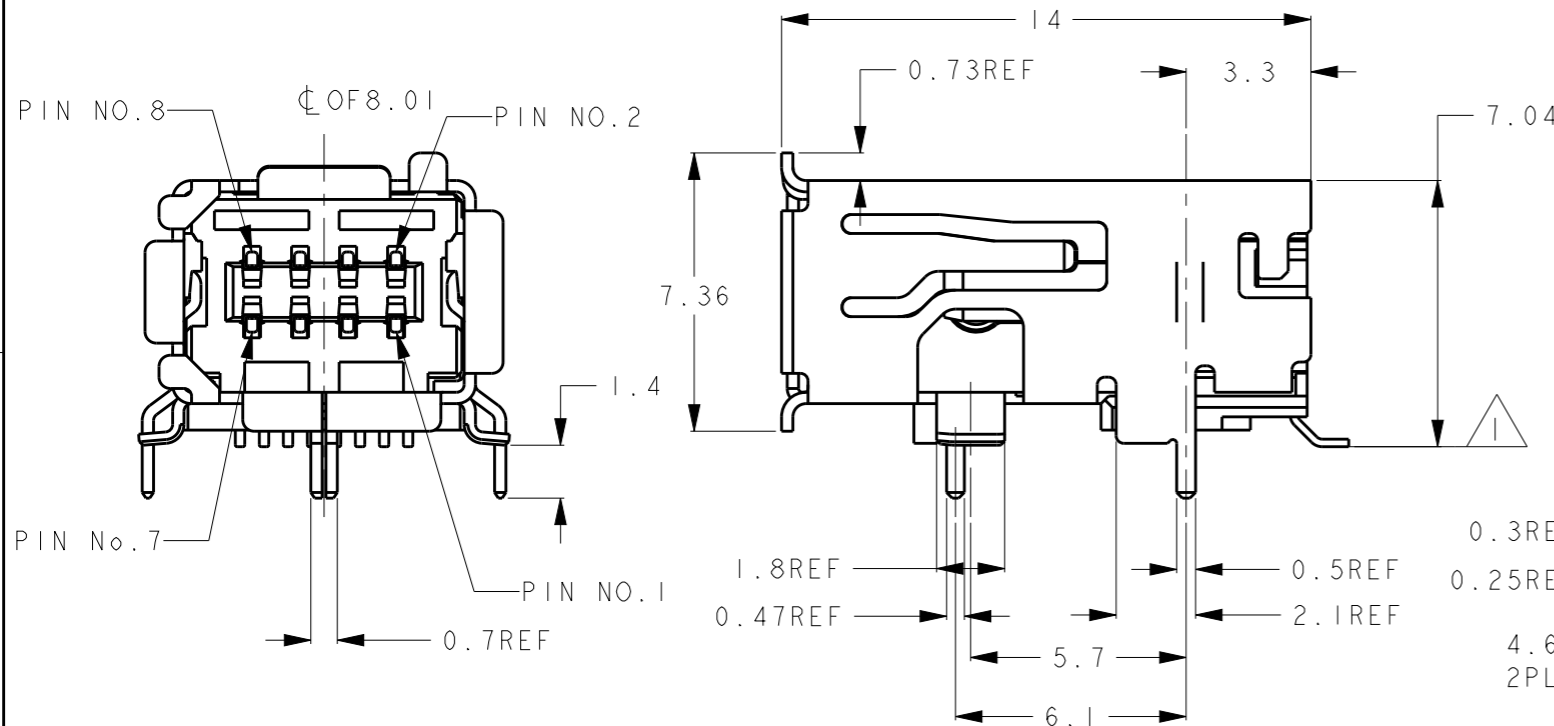
P	LTR	DESCRIPTION	DATE	DWN	APVD
A		RELEASED	28JUN2016	T.S	N.Y
B		REVISED	11JUL2016	T.S	N.Y



TYPE I

TYPE II

P/N	D-SHAPE	HOUSING COLOR
2294417-4	TYPE II	NATURAL
2294417-1	TYPE I	BLACK



1 COPLANARITY: 0.08MAX (FRONT PEG, CONTACT)

2 DIMENSION DECIDED BY CUSTOMER

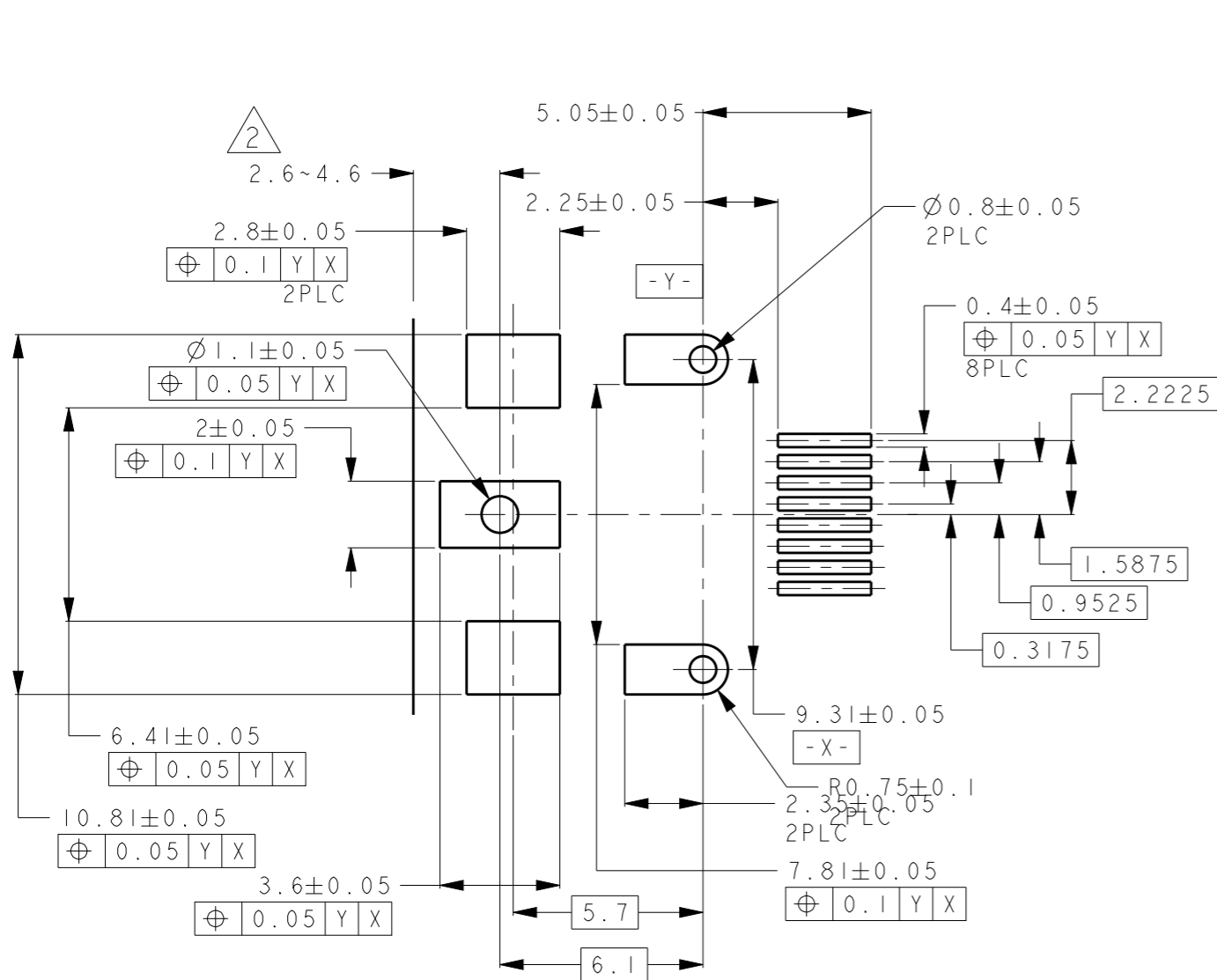
3. PRODUCT QUANTITY : 300/REEL

ITEM	DESCRIPTION	ITEM
1	HDR SHELL TYPE II MATERIAL: SUS UNDER ALL SURFACE Ni 0.00127MIN ALL SURFACE Sn 0.002MIN	4
-	HDR SHELL TYPE I MATERIAL: SUS UNDER ALL SURFACE Ni 0.00127MIN ALL SURFACE Sn 0.002MIN	
4	HDR LOWER CONTACT MATERIAL: COPPER ALLOY UNDER ALL SURFACE Ni 0.00127MIN CONTACT AREA Au 0.0005MIN SOLDERING AREA Sn 0.002MIN	3
4	HDR UPPER CONTACT MATERIAL: COPPER ALLOY UNDER ALL SURFACE Ni 0.00127MIN CONTACT AREA Au 0.0005MIN SOLDERING AREA Sn 0.002MIN	2
1	HDR HOUSING MATERIAL: THERMO PLASTIC(UL94 V-0) COLOR: NATURAL	1
-	HDR HOUSING MATERIAL: THERMO PLASTIC(UL94 V-0) COLOR: BLACK	
-4	DESCRIPTION	ITEM

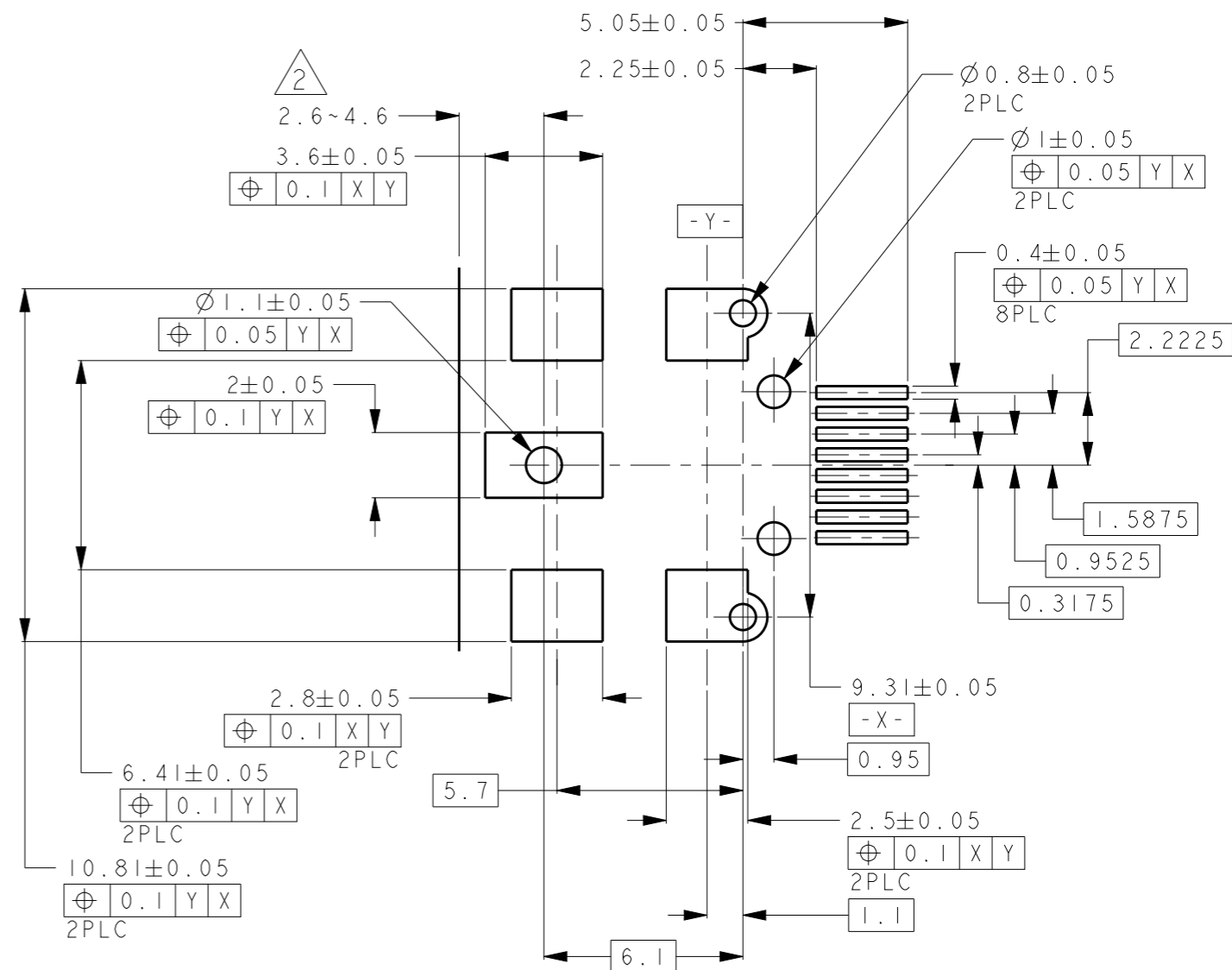
THIS DRAWING IS A CONTROLLED DOCUMENT.		DWN T. SHIMOYASU 28JUN2016	TE Connectivity	
DIMENSIONS: 単位: 耗 mm		CHK E. TAKEMASA 28JUN2016		
TOLERANCES UNLESS OTHERWISE SPECIFIED: 一般公差 ±0.3		APVD N. YAMASAKI 28JUN2016	NAME 名称 INDUSTRIAL MINI I/O CONN. 1.27MM PITCH 8P HDR ASSY SMT EMBOSS	
		PRODUCT SPEC 製品規格 108-78405	SIZE A3	
MATERIAL 材料		APPLICATION SPEC 取付適用規格 114-32132	DRAWING NO 番号 C-2294417	
FINISH 仕上		WEIGHT 1.08g	RESTRICTED TO -	
CUSTOMER DRAWING		SCALE 尺度 5:1	SHEET 1 OF 3 REV B	

REVISIONS

P	LTR	DESCRIPTION	DATE	DWN	APVD
		SEE SHEET 1			



REFERENCE PCB DIMENSIONS (STANDARD) t=1.6±0.1



REFERENCE PCB DIMENSIONS (SAME AS 1981080-1/1981386-1) t=1.6±0.1

THIS DRAWING IS A CONTROLLED DOCUMENT.

DIMENSIONS: 単位: 耗 mm	TOLERANCES UNLESS OTHERWISE SPECIFIED: 一般公差 ±0.3
	0-PLC ±
	1-PLC ±
	2-PLC ±
	3-PLC ±
	4-PLC ±
	ANGLES ±5°
MATERIAL 材料	FINISH 仕上

DWN
CHK
APVD
PRODUCT SPEC 製品規格
APPLICATION SPEC 取付適用規格
WEIGHT
CUSTOMER DRAWING

STE TE Connectivity

NAME
名称 INDUSTRIAL MINI I/O CONN.
1.27MM PITCH 8P HDR ASSY SMT EMBOSS

SIZE A3	CAGE CODE -	DRAWING NO 番号 C-2294417	RESTRICTED TO -
------------	----------------	-------------------------------	--------------------

SCALE
尺度 4:1 SHEET 2 OF 3 REV B

THIS DRAWING IS UNPUBLISHED.

RELEASED FOR PUBLICATION

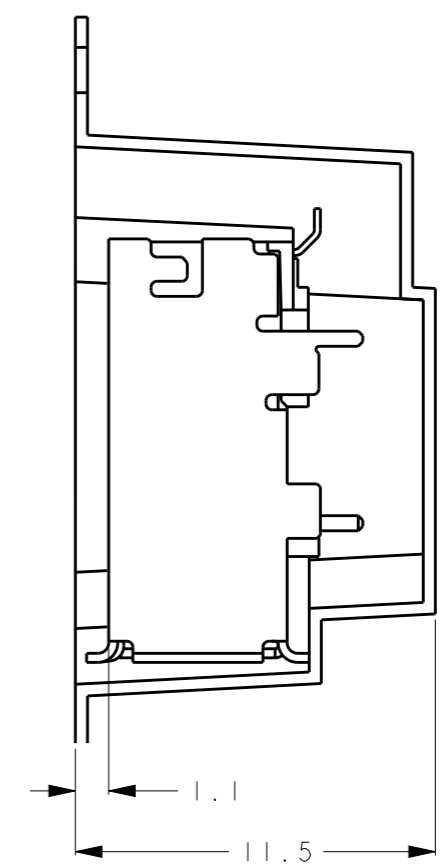
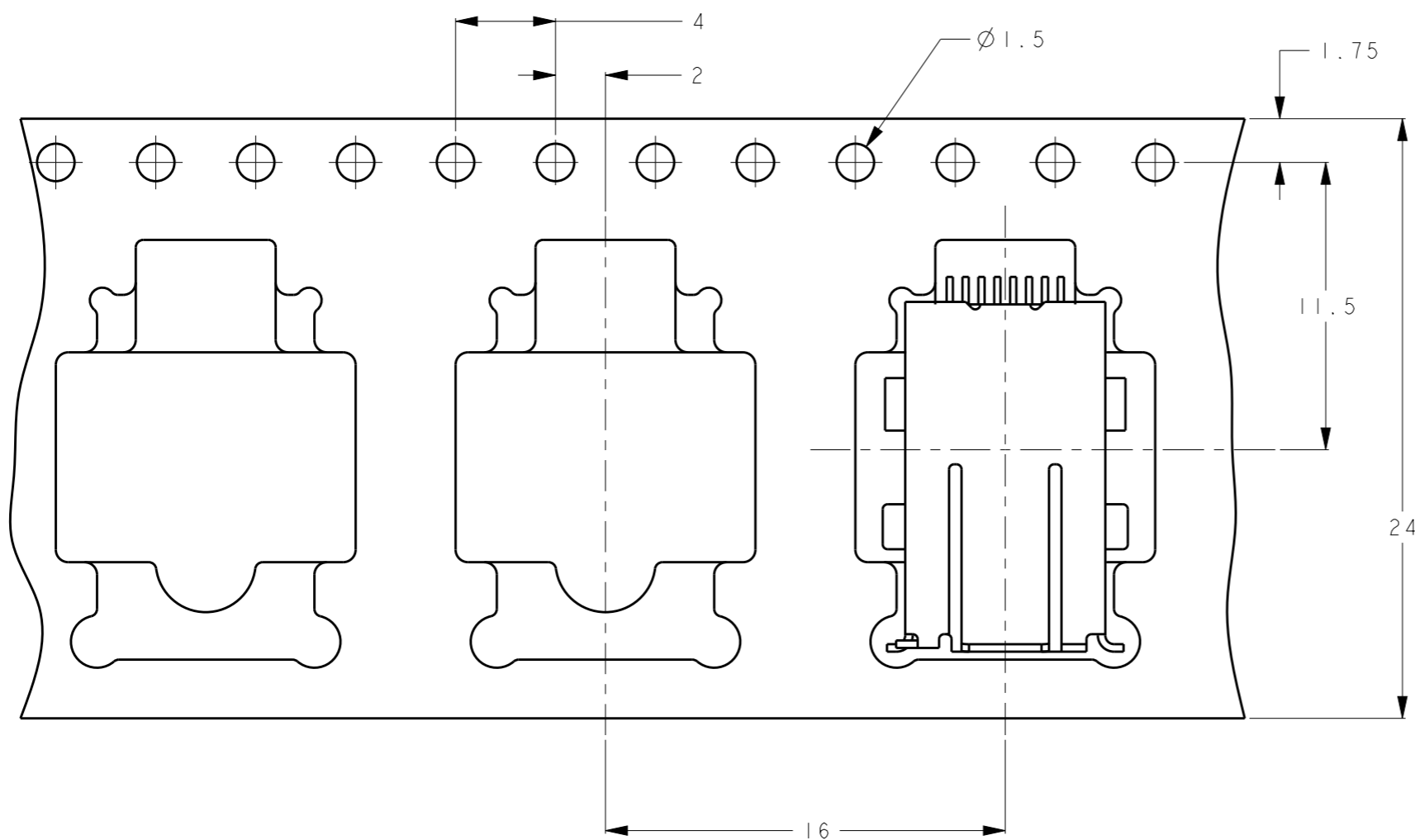
2016

© COPYRIGHT 2016 BY Tyco Electronics Japan G.K. ALL RIGHTS RESERVED.

REVISIONS

変更

P	LTR	DESCRIPTION	DATE	DWN	APVD
		SEE SHEET 1			



EMBOSS TAPE

THIS DRAWING IS A CONTROLLED DOCUMENT.

DIMENSIONS: 単位: 耗 mm		TOLERANCES UNLESS OTHERWISE SPECIFIED:	
		一般公差	± 0.5
		0-PLC	\pm
		1-PLC	\pm
		2-PLC	\pm
		3-PLC	\pm
MATERIAL 材料		FINISH 仕上	ANGLES $\pm 5^\circ$

DWN
CHK
APVD
PRODUCT SPEC 製品規格
APPLICATION SPEC 取付適用規格
WEIGHT
CUSTOMER DRAWING



NAME
名称 INDUSTRIAL MINI I/O CONN.
1.27MM PITCH 8P HDR ASSY SMT EMBOSS

SIZE A3	CAGE CODE -	DRAWING NO 番号 C-2294417	RESTRICTED TO -
------------	----------------	-------------------------------	--------------------

SCALE 尺度 4:1	SHEET 3 OF 3	REV B
-----------------	-----------------	----------