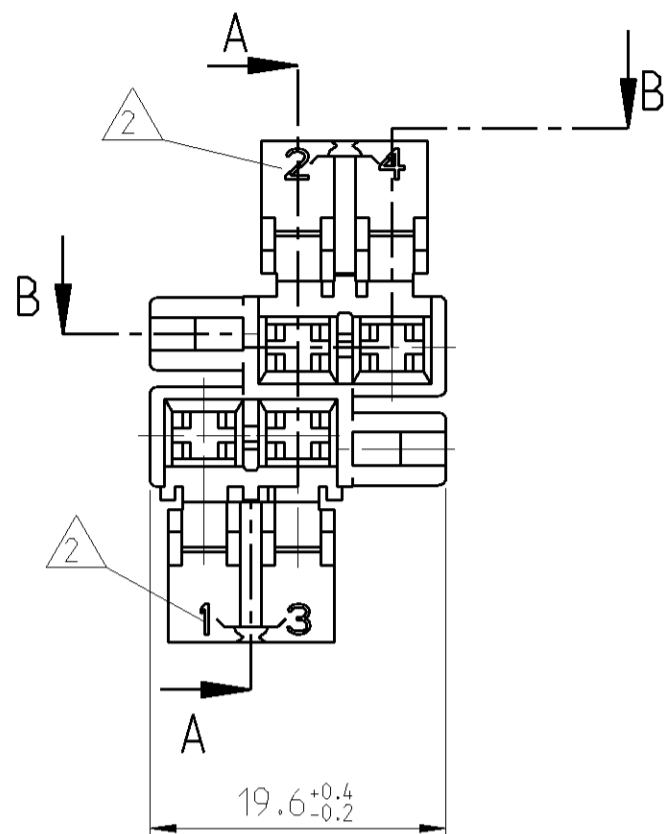
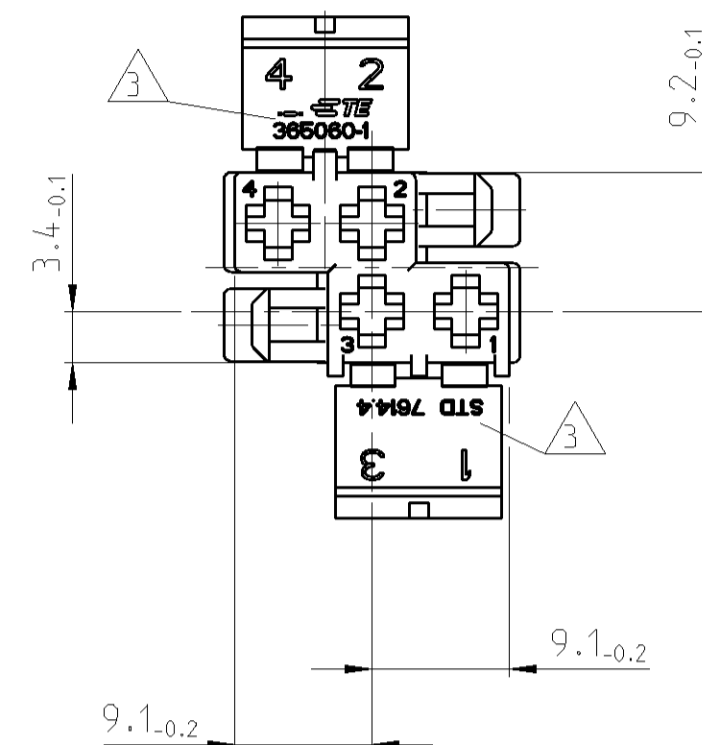
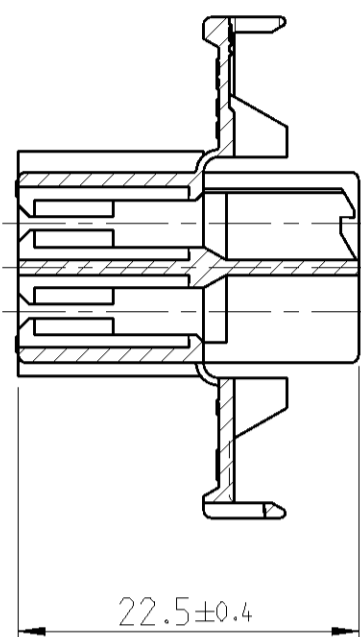


THIS DRAWING IS UNPUBLISHED. RELEASED FOR PUBLICATION 2011  
 © COPYRIGHT 2011 ALL RIGHTS RESERVED.

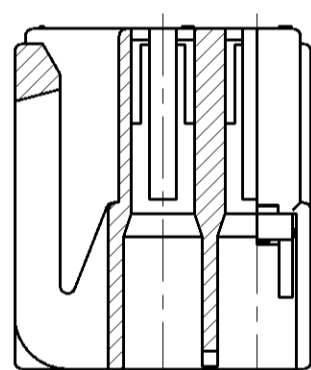
LOC	DIST	REVISIONS			
P	LTR	DESCRIPTION	DATE	DWN	APVD
AL	2	E1	ECR 12-004643	17APR2012	XP RS



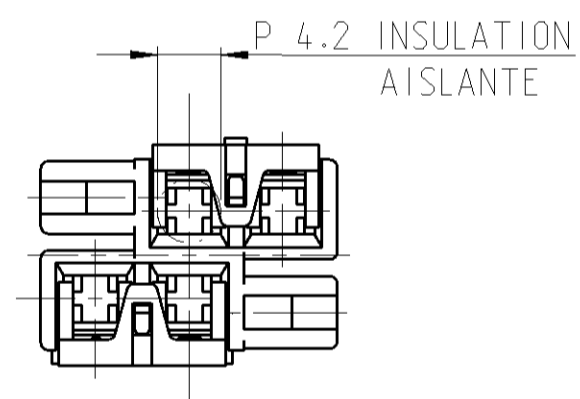
Seccion A-A  
SECTION



Seccion B-B  
SECTION



DETALLE CON BISAGRA CERRADA  
HOUSING WITH CLOSED FLAP



1. MATERIAL Y COLORES HAN DE ESTAR LIBRES DE CADMIO  
MATERIAL AND COLORS ARE FREE OF CADMIUM

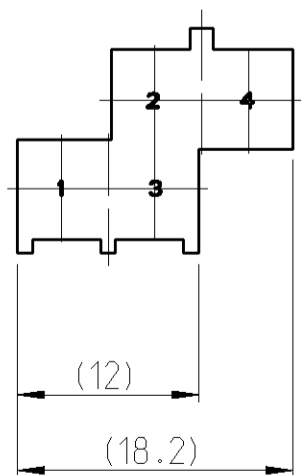
2. ALTURA LETRA 2  
CHARACTER HEIGHT 2

3. ALTURA LETRA 1  
CHARACTER HEIGHT 1

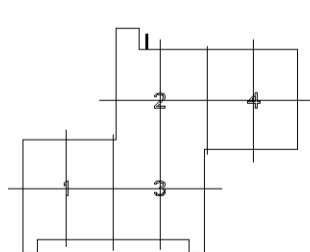
4. USAR CON 365059  
FITTING WITH 365059

5. LAS PIEZAS DEBEN IR EMPAQUETADAS HERMETICAMENTE  
Y SU CONTENIDO DE HUMEDAD DEBE SER 2.5±1%  
PARTS MUST BE AIR TIGHT PACKAGED,  
MOISTURE CONTENT MUST BE 2.5±1%

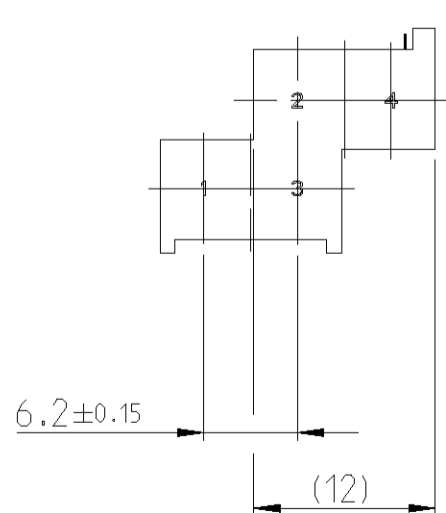
CODIGO 1  
CODING



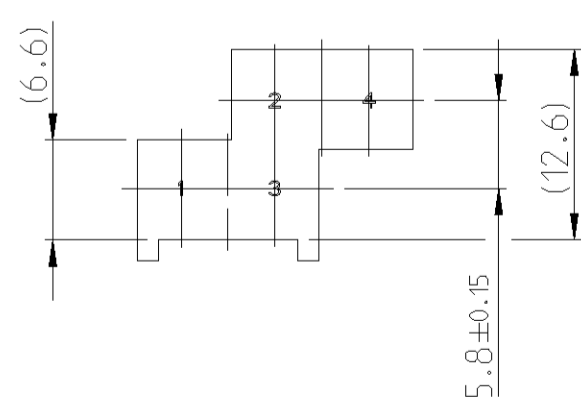
CODIGO 2  
CODING



CODIGO 3  
CODING



CODIGO 4  
CODING



CODE NO.	PART NO.	MATERIAL	COLOUR
CODE 4	365060-4	PA 6.6	YELLOW
CODE 3	365060-3	PA 6.6	BLACK
CODE 2	365060-2	PA 6.6	GREY
CODE 1	365060-1	PA 6.6	NATUR

THIS DRAWING IS A CONTROLLED DOCUMENT.		DWN R. ULLRICH 25OCT1984	TE Connectivity
DIMENSIONS: mm		CHK J. PASCUAL 15JUN1993	
TOLERANCES UNLESS OTHERWISE SPECIFIED:		APVD L. BATILLO 15JUN1993	
0 PLC ± 1 PLC ± ±0.2 2 PLC ± ±0.2 3 PLC ± ±0.2 4 PLC ± ±0.2 ANGLES ±° FINISH		PRODUCT SPEC - APPLICATION SPEC - WEIGHT -	
MATERIAL SEE PART LIST		CUSTOMER DRAWING	NAME 4 POS. HOUSING FOR JUNIOR TIMER CONTACT SIZE A2 CAGE CODE 00779 DRAWING NO. C-365060 RESTRICTED TO - SCALE 2:1 SHEET 1 OF 1 REV E1