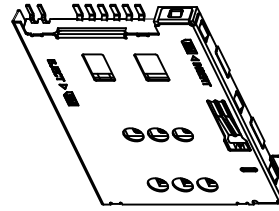


This document is the property of Amphenol Corporation and is delivered on the express condition that it is not to be disclosed, reproduced or used, in whole or in part, for manufacture or sale by anyone other than Amphenol Corporation without its prior consent, & that no right is granted to disclose or to use any information in this document.



SIM pin assignment	
PIN#	Name
C1	VCC
C2	RST
C3	CLK
C4	Reserved
C5	GND
C6	VPP
C7	I/O
C8	Reserved



REVISIONS				
SYM	ECN	DESCRIPTION	DATE	APPROVED
C	ES.D0704.096	LOGO	04/14/07	Tom
D	ES.D0802.038	Revise tolerance	02/20/08	Tom
E	ES.D0906.092	Add switch of circuit note	06/25/09	Tom
F	ECN14110001	ADD PCB LAYOUT DIM	11/13/14	Tom

NOTES:

1.SPECIFICATIONS

INSULATION RESISTANCE: 500M min.AT DC 500V DC  
 WITHSTANDING VOLTAGE: 250V ACrms FOR 1 MINUTE  
 CONTACT RESISTANCE: 100MΩ max. AT 10MA/20mV max  
 CURRENT RATING: 0.5A  
 VOLTAGE RATING: 5.0 vrms  
 OPERATING TEMPRANGE:-55°C+85°C  
 MATING CYCLES: 5000 INSERTIONS

2.MATERIAL:

INSULATOR: H-TEMPERATURE PLASTIC,UL 94V-0,  
 COLOR:BLACK  
 TERMINAL: COPPER ALLDY,T=0.15mm  
 SWITCH: COPPER ALLDY,T=0.10mm  
 SHELL: STAINLESS STEEL,T=0.15mm

3.FINISH:

TERMINAL:50u" min NICKEL UNDERPLATED ON ALLOVER,GOLD PLATING  
 ON CONTACT ARER, 80u"min TIN ON SOLDER TAIL.  
 SHELL:50u" NICKEL UNDERPLATED ON ALLOVER, GOLD FLASH ON SOLDER  
 LATCH

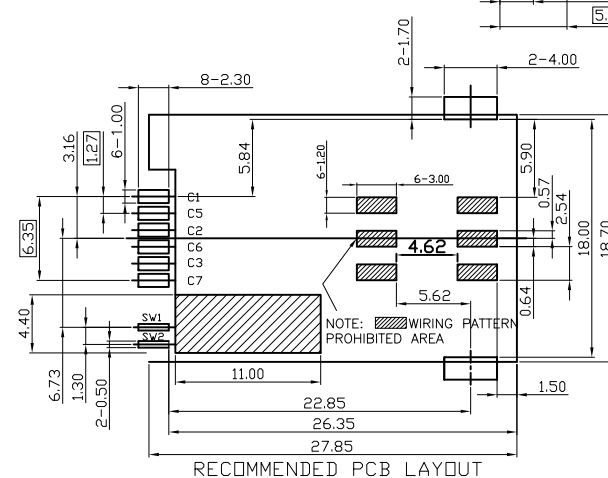
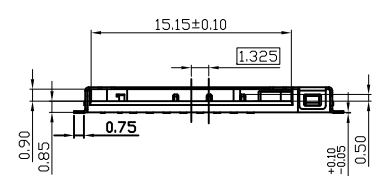
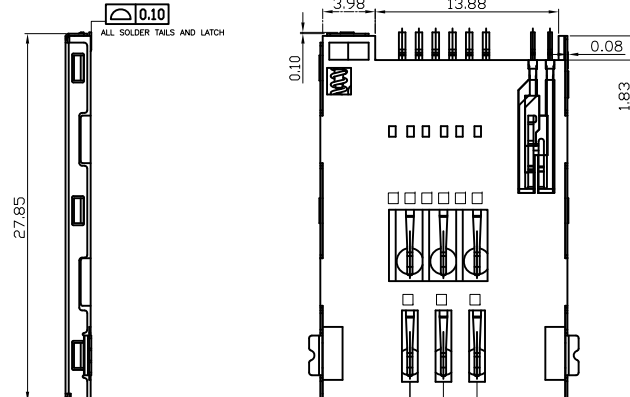
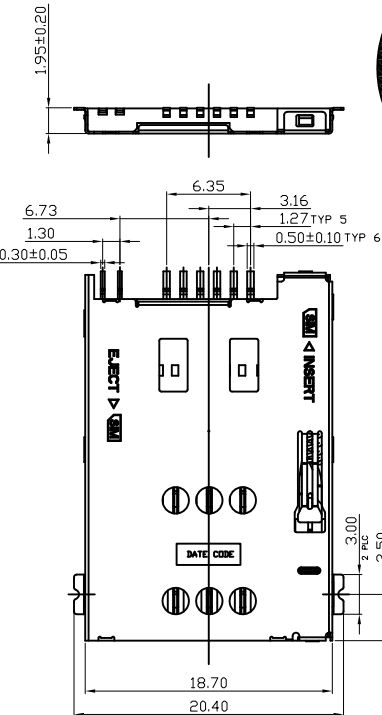
Date code No.:

\*\*\*\*\*

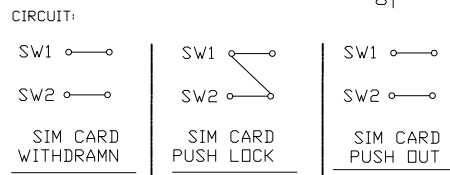
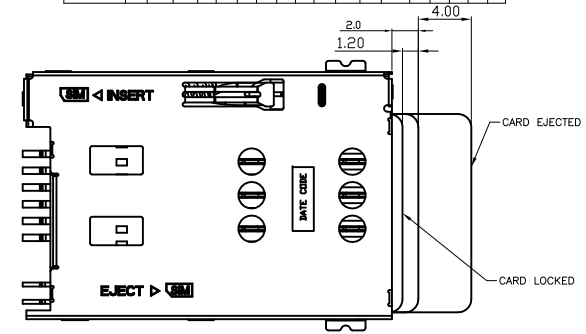
date code:see code table  
 month code:see code table

Date code table:

date	1	2	3	4	5	6	7	8	9	10	11	12	...	27	28	29	30	31
code	01	02	03	04	05	06	07	08	09	10	11	12	...	27	28	29	30	31
month	1	2	3	4	5	6	7	8	9	10	11	12						
code	01	02	03	04	05	06	07	08	09	10	11	12						
year	05	06	07	08	09	10	11	12	13	14	15							
code	05	06	07	08	09	10	11	12	13	14	15							



RECOMMENDED PCB LAYOUT



- 10100306XX X
- 2 Tape & reel
  - 78 Plating Au 1u" on contact area, Tin 120u" Min on solder tail.
  - 79 Plating Au 3u" on contact area, Tin 120u" Min on solder tail.
  - 80 Plating Au 5u" on contact area, Tin 120u" Min on solder tail.
  - 81 Plating Au 10u" on contact area, Tin 120u" Min on solder tail.
  - 82 Plating Au 15u" on contact area, Tin 120u" Min on solder tail.
  - 83 Plating Au 30u" on contact area, Tin 120u" Min on solder tail.

UNLESS OTHERWISE SPECIFIED TOLERANCES U.S. METRIC .X +/- ±0.38 .XX +/- ±0.25 .XXX +/- ±0.13 FRACTIONS +/- ANGLES +/-	APPROVAL	DATE	Amphenol		
	DRAWN Leo.zeng	11/13/14			
	CHECKED Welson.lu	11/13/14			
FOR MATERIALS AND FINISHES SEE NOTES	DRAWING FILE :		TITLE SIM CARD READER 6PIN (PUSH/PUSH)WITH SWITCH		
REMOVE SHARP EDGES	ANGLE OF PROJECTION		SIZE A3	DRAWING NO. 10100306XXX	REV. F
DIMENSIONS			SCALE NONE	SHEET 1 OF 1	
U.S. INCHES- (METRIC) (MM)					