



Diplomat-DDE114924K1E-040962- No

(Family) (Model) (Part #) (In Stock)

Electrical Specifications

Operating Voltage:	24 Volts
Voltage Range:	18 - 32 Volts
Power Supply:	125.0 Watts
Line Current:	5.20 Amps
Locked Rotor Current	6.00 Amps
Nominal Speed:	1900 RPM

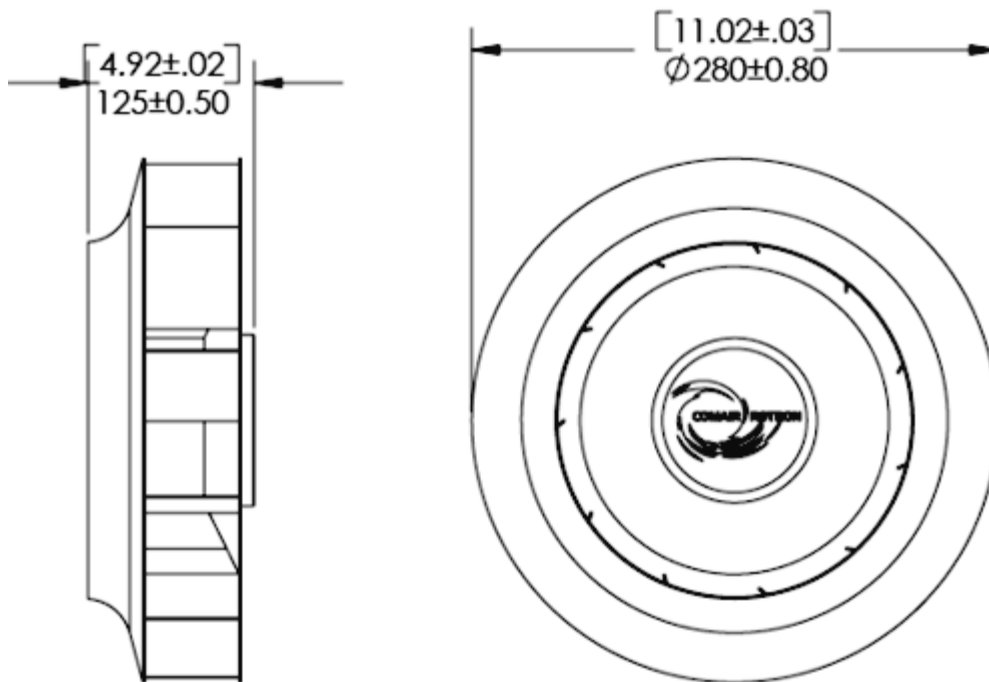


Mechanical Specifications

Dimensions:	11.0 x 11.0 x 4.9 in
Weight	56.4 oz
Max Airflow @ 0 in H ₂ O	1050.0 CFM
Max Pressure @ 0 CFM	1.700 in H ₂ O
Noise	78.0 dBA



Mechanical Drawing



North American Sales Office
 Phone: +1 (972) 644 5591
 sales@comairrotron.com

European Sales Office
 Phone: +44 7595 221168
 saleseurope@comairrotron.com

Asian Sales Office
 Phone: +86 21 623 91966
 salesasia@comairrotron.com

Print Date: Friday, October 21, 2011 at 09:09:17 - DC Impeller Datasheet - Web Version 1.0 Rev. C



Impeller Performance Curve

Impeller Configuration Options

Diplomat (Family)	DDE114924K1E (Model)	/ 040962 (Part #)	No (In Stock)	305 mm [12 inch] Leads (Features)
-----------------------------	--------------------------------	-----------------------------	-------------------------	---

Impeller Speed:	1900 RPM	Impeller Bearings:	Ball Bearings
Impeller Airflow Direction:	Centrifugal (CW Rotation)	Impeller Termination:	Leads

Impeller Monitoring Options: Open Collector Tachometer Output (2 Pulses/Rev)

Impeller Speed Control Option: No Speed Control Options Selected

Environmental Protection Options: No Enviroshield Options Selected

North American Sales Office

Phone: +1 (972) 644 5591
sales@comairrotron.com

European Sales Office

Phone: +44 7595 221168
saleseurope@comairrotron.com

Asian Sales Office

Phone: +86 21 623 91966
salesasia@comairrotron.com

Print Date: Friday, October 21, 2011 at 09:09:17 - DC Impeller Datasheet - Web Version 1.0 Rev. C



North American Sales Office

Phone: +1 (972) 644 5591
sales@comairrotron.com

European Sales Office

Phone: +44 7595 221168
saleseurope@comairrotron.com

Asian Sales Office

Phone: +86 21 623 91966
salesasia@comairrotron.com

Print Date: Friday, October 21, 2011 at 09:09:17 - DC Impeller Datasheet - Web Version 1.0 Rev. C